

DOUBLE DECKER

DD8904



ENG
FRE
GER
SPA
ITA
DUT

AMSTRAD

616Z001-41098

AMSTRAD DD8904

DOUBLE DECK VIDEO CASSETTE RECORDER
WITH LONG PLAY AND LCD REMOTE CONTROL

USER INSTRUCTION MANUAL

Read this manual carefully before operating
your video cassette recorder (VCR)

HQ

**Video cassette recorders bearing the HQ mark incorporate VHS *high quality* technology.
This is compatible with existing VHS video cassette recorders.**

CONTENTS

FEATURES	4
PRECAUTIONS	5
OPERATING CONDITIONS	5
DEW WARNING INDICATOR	5
OPERATING CONTROLS AND FUNCTIONS	6
PREPARATION FOR USE	8
CONNECTING A MAINS PLUG	8
CONNECTING A TV	9
CONNECTING A SATELLITE RECEIVER	9
SETTING UP THE VIDEO CHANNEL ON YOUR TV	10
SETTING UP THE VCR TUNER CHANNELS	10
FINE TUNING	10
ERASING VCR TUNER CHANNELS	11
VIDEO CASSETTES	11
ERASE PREVENTION	11
INSERTING A CASSETTE	11
REMOVING A CASSETTE	11
SETTING UP THE CLOCK FOR THE CORRECT TIME	11
RECORDING	12
RECORDING A PROGRAMME ONTO ONE CASSETTE	12
NORMAL RECORDING	12
RECORDING ONE TV CHANNEL ONTO TWO CASSETTES AT THE SAME TIME	12
RECORDING TWO DIFFERENT PROGRAMMES ONTO TWO DIFFERENT CASSETTES	12
RECORDING ONE PROGRAMME CONTINUOUSLY ONTO TWO CASSETTES	12
CONTINUOUS AND LOOP RECORDING	13
RECORDING ONTO TWO REPEATING LOOP CASSETTES	12
RECORDING ONTO ONE REPEATING LOOP CASSETTE	12
RECORDING FROM ONE CASSETTE TO ANOTHER	12
TAPE TO TAPE COPYING	14
SYNCHRO START	14
RECORDING PROGRAMMES BY TIMER ONTO ONE CASSETTE	12
TIMER RECORDING	14
DAILY RECORDING	16
WEEKLY RECORDING	16
CHECKING A TIMER EVENT	16
ERASING A TIMER EVENT	16
RECORDING PROGRAMMES BY TIMER CONTINUOUSLY ONTO TWO CASSETTES	12
SIMULTANEOUS TIMER AND MANUAL RECORDING	12
TIMER RECORDING PLUS ADDITIONAL RECORDING	16
TIMER RECORDING PLUS PLAYBACK	17
QUICK TIMER RECORDING	17
SECURITY MONITORING APPLICATIONS	17

PLAYBACK	18
PLAYBACK ONE CASSETTE	18
NORMAL PLAYBACK	18
PICTURE SEARCH	19
PLAYBACK/PAUSE	19
TRACKING	19
PLAYBACK TWO CASSETTES TO ONE TV	18
PLAYBACK TWO CASSETTES TO TWO TVs	18
PLAYBACK ONE CASSETTE TO THREE TVs	18
PLAYBACK TWO CASSETTES CONTINUOUSLY	18
CONTINUOUS AND LOOP PLAYBACK	19
PLAYBACK TWO REPEATING LOOP CASSETTES	18
PLAYBACK ONE REPEATING LOOP CASSETTE	18
SIMULTANEOUS PLAYBACK AND RECORDING	20
SHOWROOM DEMONSTRATION APPLICATIONS	20
TAPE COUNTERS	20
REMOTE CONTROL OPERATION	21
INSTALLING THE REMOTE CONTROL BATTERIES	22
TIMER RECORDING BY REMOTE CONTROL	22
DAILY RECORDING BY REMOTE CONTROL	23
WEEKLY RECORDING BY REMOTE CONTROL	23
REFERENCE INFORMATION	24
TROUBLESHOOTING GUIDE	24
MAINTENANCE	24
CABINET CLEANING	24
HEAD CLEANING	24
SERVICING	24
SPECIFICATION	25
SCART SOCKET CONNECTIONS	26
INPUTS AND OUTPUTS	26
QUICK GUIDE TO OPERATION	28

NOTE - Once you have set up the VCR and become familiar with its controls, you may use the quick guide to operation on page 28.

FEATURES

★ **Long play mode** - You can record for *double* the length of time onto a cassette, eg. an E240 cassette will last eight hours, an E180 will last six hours, an E60 two hours, etc.

★ **Infra-red remote control handset with LCD programmer** - You can operate the tape transport controls (for both decks), change channels and switch on and off, all from the comfort of your armchair. Additionally, you can programme timer recordings from the *LCD* handset display, then transfer your programmed settings to the video cassette recorder (VCR).

★ **Eight event one month programmable timer** - You can record up to *eight* programmes at different times on different channels up to one month ahead. The *daily* timer allows recordings to be made of daily broadcasts, and the *weekly* timer allows a recording to be made once a week.

★ **Tape to tape copying** - You can copy from one cassette to another. (See the section entitled 'WARNING' on this page.) Automatic synchronisation of the copy is facilitated by the *synchro start* feature.

★ **Simultaneous recording and playback** - You can record a programme onto one cassette *and* playback another cassette at the same time.

★ **Simultaneous double recording** - You can record two *different* programmes onto two cassettes at the same time. Alternatively, you can record the *same* TV channel onto two cassettes.

★ **Simultaneous double playback** - You can playback two different tapes to two (or three) TVs.

★ **3-TV playback** - You can playback one tape to up to *three* TVs at the same time.

★ **Continuous record/playback** - You can record or playback two cassettes, one after the other, automatically. Using two E240 cassettes and long play mode, this provides up to *sixteen* hours' continuous operation.

★ **Loop record/playback** - You can record or playback two cassettes, one after the other, again and again in a repeating loop (each cassette automatically rewinds when it reaches the end). Loop recording is useful in *security monitoring/surveillance* applications, where uneventful material may be re-recorded over and over

again. Loop playback is useful in *showroom/exhibition* applications, where non-stop promotion or demonstration cassette(s) need to be on show without supervision. (Note that loop record/playback may also be selected with one cassette only.)

★ **Simultaneous timer and manual operation** - You can programme automatic timer recording on one deck and continue to use the other deck for manual recording and playback. This provides a useful '*babysitter facility*': you can go out for the evening having set up the timer to record a programme; meanwhile, your babysitter can bring a video film to watch while you're out.

★ **QTR (quick timer recording)** - You can make an instant recording for a selected timed period (up to sixteen hours) simply by pressing *one* pushbutton.

★ **Two speed picture search** - You can *search* through a cassette forwards and backwards (on the TV screen) at three times the normal speed, or, if you keep the button pressed, five times the normal speed.

WARNING

Television broadcasts and pre-recorded video tapes contain material which is protected by copyright laws and cannot be copied without the consent of the copyright owner. Copying such material without consent of the copyright owner may result in civil and/or criminal liability and penalties.

Amstrad does not consent to or authorise the copying of any such material and the purchase of an Amstrad double deck VCR does not provide or convey any consent or authorisation to make recordings (in whole or in part) of any copyright materials.

SPECIAL CIRCUITRY

Some pre-recorded video movies that may be purchased or rented are produced incorporating a copy protection signal during their mass duplication process. This VCR incorporates certain electronic circuitry which together with the copy protection signal prevents unauthorised copying. Attempts to copy such material are unlawful and will result in impaired or destroyed picture quality. This is not a fault in your VCR.

PRECAUTIONS

OPERATING CONDITIONS

- 1 Do not attempt to open the cabinet. There are no user serviceable parts inside. Refer all servicing to qualified service personnel.
- 2 The slots in the cabinet are provided for ventilation. To ensure reliable operation and to protect the VCR from overheating, these openings must not be covered or obstructed. Avoid operating the VCR in enclosed spaces such as bookcases unless proper ventilation is provided.
- 3 Keep the VCR away from radiators or other heat sources.
- 4 Avoid using the VCR near strong magnetic fields.
- 5 Do not push any object into the cabinet slots as it could touch live parts resulting in a fire or electric shock.
- 6 Do not expose the VCR to rain or moisture.
- 7 Never spill liquid of any kind on the VCR. If this happens, remove the mains plug from the supply socket and consult qualified service personnel.
- 8 Use the VCR in a horizontal (flat) position only.

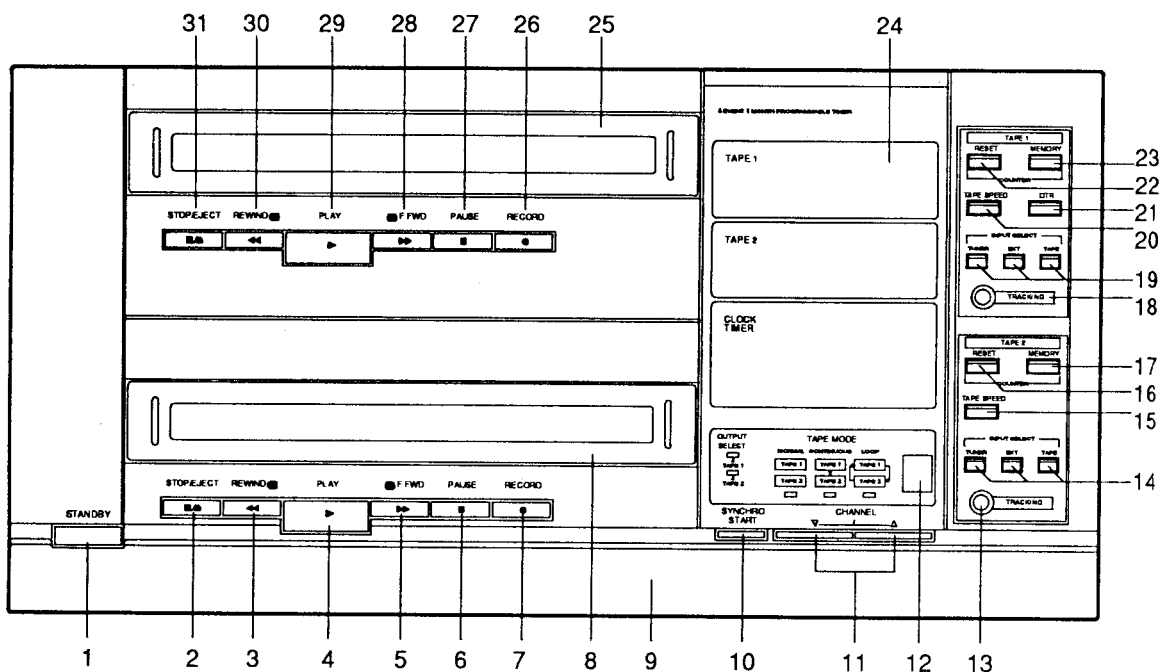
DEW WARNING INDICATOR

This VCR is equipped with a sensor to indicate the presence of moisture. If excessive moisture is present inside the VCR, the letter d (for dew) will appear on the status display. While d is indicated, a safety device prevents you using the VCR functions until the moisture has gone. Moisture may occur from condensation inside the VCR when it is moved from a cold place to a warm place, after rapidly heating a cold room, or under conditions of high humidity. Therefore, if d appears, switch on the VCR and allow at least two hours for the VCR to dry out.

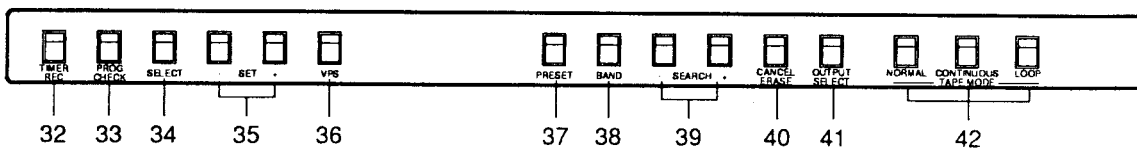
Note that sometimes the dew indicator may not appear for the first fifteen minutes even if there *is* moisture inside the VCR (for example, when the room temperature or humidity changes suddenly). In such cases, do not insert a video cassette for the first thirty minutes.

OPERATING CONTROLS AND FUNCTIONS

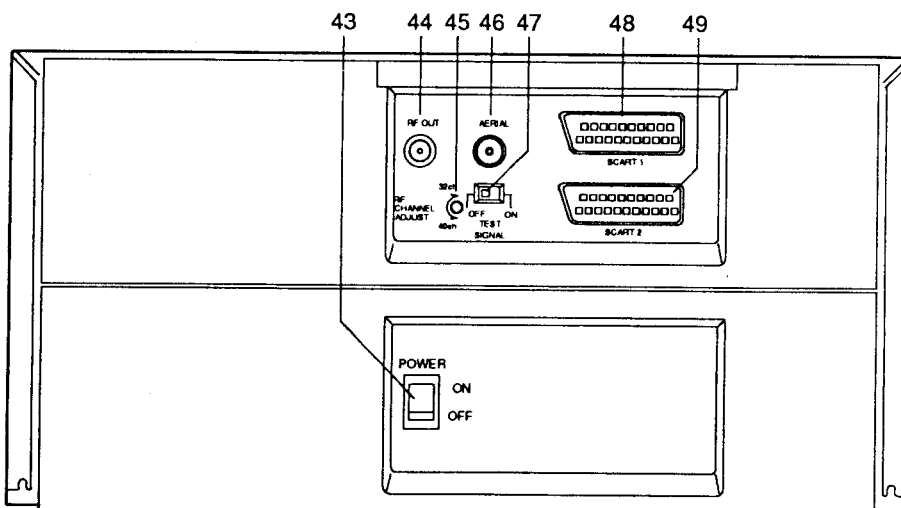
FRONT VIEW (INCLUDING RIGHT-HAND CONTROL PANEL)



LOWER CONTROL PANEL VIEW



REAR VIEW



- 1 **STANDBY button** - Press to switch the VCR on and off.
- 2 **Tape 2 STOP/EJECT button** - Press to stop tape 2. If the tape is already stopped, press to eject the cassette.
- 3 **Tape 2 REWIND button** - Press to rewind tape 2. If the tape is playing, press to search backwards on the screen. Hold in to search faster. (Press PLAY to return to normal playback.)
- 4 **Tape 2 PLAY button** - Press to start tape 2 playback.
- 5 **Tape 2 F.FWD button** - Press to forward wind tape 2. If the tape is playing, press to search forwards on the screen. Hold in to search faster. (Press PLAY to return to normal playback.)
- 6 **Tape 2 PAUSE button** - Press to temporarily stop tape 2 during playback or recording.
- 7 **Tape 2 RECORD button** - Press to start tape 2 recording.
- 8 **Tape 2 cassette compartment** - Insert the cassette for tape 2 in here.
- 9 **Lower control panel door** - Open this door to adjust the clock, timer, tuner and TAPE MODE buttons.
- 10 **SYNCHRO START button** - Press once to set up automatic synchronised copying (from tape 2 to tape 1). Press again to start the copying process.
- 11 **CHANNEL ▽ and △ buttons** - Press to select the channel for manual recording or viewing.
- 12 **Remote sensor** - Receives the infrared signals from the remote control handset.
- 13 **Tape 2 TRACKING control** - Adjust to minimise noise bars on the screen during tape 2 playback. Set to the mid-position unless otherwise required.
- 14 **Tape 2 INPUT SELECT buttons** - Selects the signal to be recorded onto tape 2: TUNER, EXT (external) or TAPE (ie. from tape 1).
- 15 **Tape 2 TAPE SPEED button** - Press to select the desired recording speed (SP standard play or LP long play) for tape 2.
- 16 **Tape 2 RESET button** - Press to reset tape 2's counter to 0000.
- 17 **Tape 2 MEMORY button** - Press to set tape 2's counter memory to on.
- 18 **Tape 1 TRACKING control** - Adjust to minimise noise bars on the screen during tape 1 playback. Set to the mid-position unless otherwise required.
- 19 **Tape 1 INPUT SELECT buttons** - Selects the signal to be recorded onto tape 1: TUNER, EXT (external) or TAPE (ie. from tape 2).
- 20 **Tape 1 TAPE SPEED button** - Press to select the desired recording speed (SP standard play or LP long play) for tape 1.
- 21 **QTR button** - Press once to select QTR (quick timer recording) mode; press twice to start QTR for 30 minutes. Press three times for QTR 1 hour, four times for QTR 1 hour 30 minutes, etc., up to 16 hours.
- 22 **Tape 1 RESET button** - Press to reset tape 1's counter to 0000.
- 23 **Tape 1 MEMORY button** - Press to set tape 1's counter memory to on.
- 24 **Status display** - Indicates the current state of tape decks 1 and 2, together with the time, date, channel, tape counter and programme timer settings.
- 25 **Tape 1 cassette compartment** - Insert the cassette for tape 1 in here.
- 26 **Tape 1 RECORD button** - Press to start tape 1 recording.
- 27 **Tape 1 PAUSE button** - Press to temporarily stop tape 1 during playback or recording.
- 28 **Tape 1 F.FWD button** - Press to forward wind tape 1. If the tape is playing, press to search forwards on the screen. Hold in to search faster. (Press PLAY to return to normal playback.)
- 29 **Tape 1 PLAY button** - Press to start tape 1 playback.
- 30 **Tape 1 REWIND button** - Press to rewind tape 1. If the tape is playing, press to search backwards on the screen. Hold in to search faster. (Press PLAY to return to normal playback.)
- 31 **Tape 1 STOP/EJECT button** - Press to stop tape 1. If the tape is already stopped, press to eject the cassette.
- 32 **TIMER RECORD button** - Press to activate timer recording after programming.
- 33 **PROG CHECK button** - Press to start the timer programming (or checking) sequence.
- 34 **SELECT button** - Press to confirm the clock or timer settings.
- 35 **SET – and + buttons** - Press to adjust the clock or timer settings.
- 36 **VPS button** - For German market only.
- 37 **PRESET button** - Press to start the channel tuning-in sequence.
- 38 **BAND button** - Press to select the TV band containing the channel you wish to tune in.

- 39 SEARCH – and + buttons** - Press to search for the channel to tune-in.
- 40 CANCEL/ERASE button** - Press to erase the memorised channel. (During timer programming, press to erase the programmed event.)
- 41 OUTPUT SELECT button** - Press to select whether tape 1 or tape 2 is output to your TV.
- 42 TAPE MODE buttons** - Selects the record/playback mode: NORMAL (tape 1 and tape 2 operate independently), CONTINUOUS (tape 1, tape 2, stop) or LOOP (tape 1, tape 2, tape 1, tape 2, etc.).
- 43 POWER switch** - Switches the mains supply to the VCR on and off.
- 44 RF OUT socket** - Connect to your TV's aerial socket (using the RF cable provided).
- 45 RF CHANNEL ADJUST** - This control is preset to UHF output channel 36 prior to leaving the factory. Adjust only if interference is present due to another transmission on this channel.
- 46 AERIAL socket** - Connect to your TV aerial.
- 47 TEST SIGNAL switch** - Switch on to provide a black-and-white signal for tuning-in your TV to the VCR.
- 48 SCART 1 socket** - Connect to a video camera or satellite receiver (or to a SCART/PERITEL TV for monitoring tape 1 only).
- 49 SCART 2 socket** - Connect to a SCART/PERITEL TV to monitor either tape 1 or tape 2 (or to a video camera or satellite receiver for recording onto tape 2 only).

PREPARATION FOR USE

This VCR operates from a 220V ac 50Hz mains supply. Disconnect the mains plug from the supply socket when not in use.

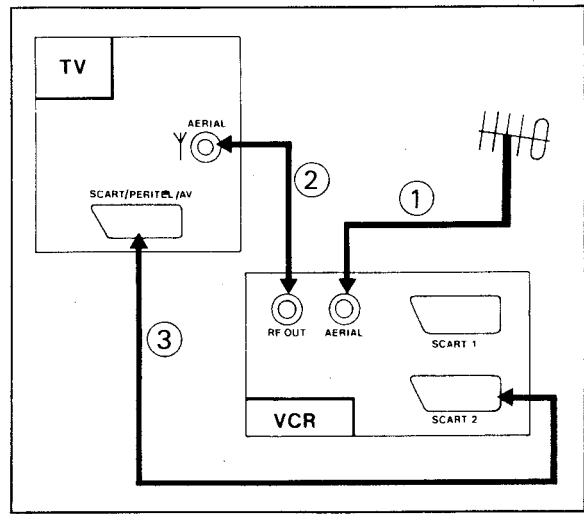
Do not attempt to remove any screws, or open the casing of the VCR; there are no user serviceable parts inside. Refer all servicing to qualified service personnel.

<p>CAUTION: TO PREVENT ELECTRIC SHOCK, DO NOT REMOVE ANY COVERS.</p>

CONNECTING A TV

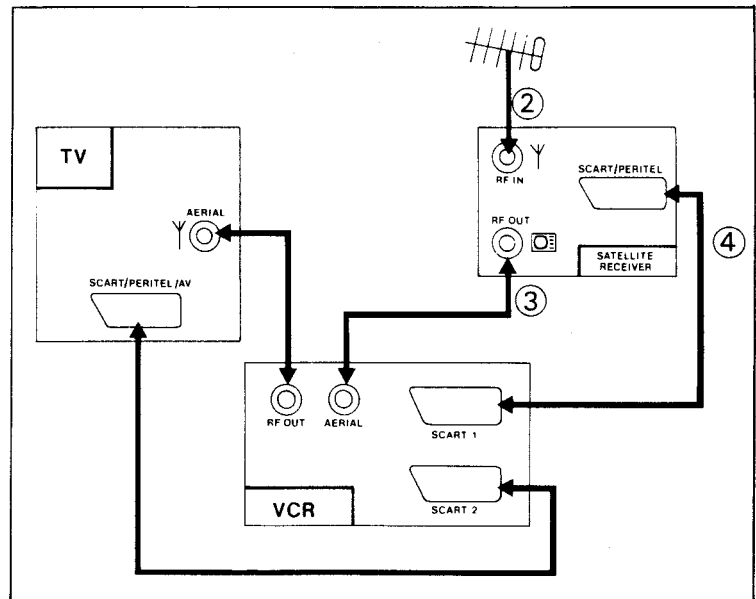
- 1 Connect your aerial to the AERIAL socket on the VCR.
- 2 Connect the RF OUT socket on the VCR to the AERIAL socket of your TV, using the RF cable (provided).
- 3 If your TV has a SCART/PERITEL/AV socket, then connect it to the SCART 2 socket on the VCR using a 21-way cable.

Note that in weak signal areas, it may be necessary to use a high gain aerial or add an aerial amplifier.



CONNECTING A SATELLITE RECEIVER

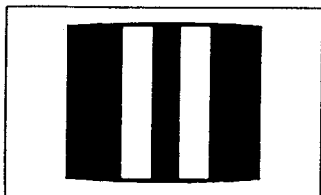
- 1 Connect your TV to the VCR as described above.
- 2 Re-connect your aerial to the RF IN socket of your satellite receiver.
- 3 Connect the RF OUT socket of your satellite receiver to the AERIAL socket on the VCR.
- 4 If your satellite receiver has a SCART/PERITEL socket, connect it to the SCART 1 socket on the VCR using a 21-way cable.



SETTING UP THE VIDEO CHANNEL ON YOUR TV

Once you have connected the VCR and TV together, the first thing you must do is tune-in the TV to the signal from the VCR as follows:

- 1 Connect the mains plug to the supply socket.
- 2 Set the POWER switch (on the back panel) to ON. (The status display at the front of the VCR will flash --:--.)
- 3 Press the STANDBY button to switch on the VCR. (The on indicator will appear on the status display.)
- 4 Set the TEST SIGNAL switch (on the back panel) to on.
- 5 Set your TV to the video channel (or a spare channel) and tune it in so that the black-and-white striped test pattern appears clearly on the screen.



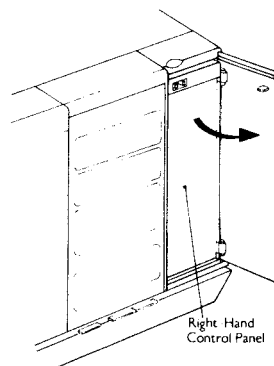
(If necessary, refer to your TV's user instruction book for the tuning-in procedure.)

- 6 Set the TEST SIGNAL switch to off.

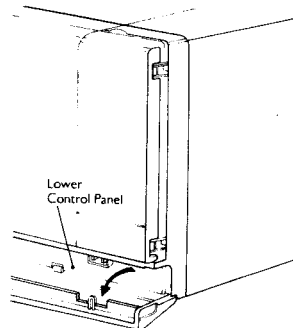
NOTE - If you find that the VCR's output signal (channel 36) interferes with an adjacent TV channel or with the output signal of other equipment connected to your TV (eg. a satellite receiver or computer modulator), then adjust the RF CHANNEL ADJUST control (on the back panel) using a small screwdriver, by about a quarter of a turn. After doing so, repeat steps 4, 5 and 6. (You may prefer to consult your dealer before altering the RF CHANNEL ADJUST control's setting.)

SETTING UP THE VCR TUNER CHANNELS

- 1 Switch on your TV and select the video channel (just tuned-in).
- 2 Press the STANDBY button to switch on the VCR. (The on indicator will appear on the status display.)
- 3 Check that status display also indicates INPUT TUNER. If not, open the right-hand control panel and press *both* buttons marked TUNER.



- 4 Open the lower control panel and press the PRESET button.



(The status display will indicate P-1 to tell you that preset channel 1 is ready to be set up.)

- 5 Press the CHANNEL ∇ or Δ button to select the channel you wish to tune-in. (The channel number will be shown on the status display). For example, select CH 1.
- 6 Press the BAND button to select the TV band containing the channel you wish to tune-in.
- 7 Press the SEARCH - or + button. The P on the status display will flash and the VCR will begin to search up or down the band for the first station. When a station is found, the VCR will stop searching (P will stop flashing) and the picture will appear on the screen. If this is not the station you want, then press SEARCH - or + again until the required station appears.

Repeat steps 5 to 7 for each channel you wish to tune-in.

- 8 Press the PRESET button once you have tuned-in all the channels you require.

FINE TUNING

If any of the channels require fine tuning (after setting up), press the SEARCH - or + button a few times to obtain the best picture.

ERASING VCR TUNER CHANNELS

- 1 Press the PRESET button.
- 2 Press the CHANNEL ∇ or Δ button to select the channel number to be erased.
- 3 Press the CANCEL/ERASE button to erase the channel.

Repeat steps 2 and 3 for each channel you wish to erase.

- 4 Press the PRESET button once you have erased all the channels you wish to remove.

Once you have erased a channel, it will be skipped by the CHANNEL ∇ and Δ buttons and it will not appear on the status display. Therefore, you should cancel any channels which are not tuned-in at all. If you wish to restore a channel that has previously been cancelled, simply repeat steps 1 to 8 on page 10.

VIDEO CASSETTES

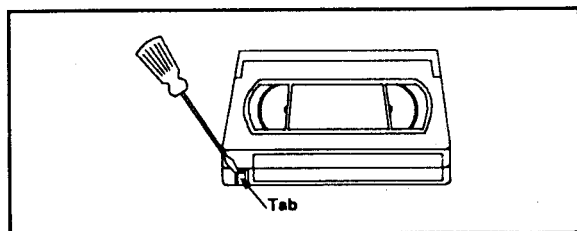
This VCR will operate only with cassettes that have the VHS mark. For best results we recommend the use of high quality cassettes.

When handling video cassettes, take the following precautions:

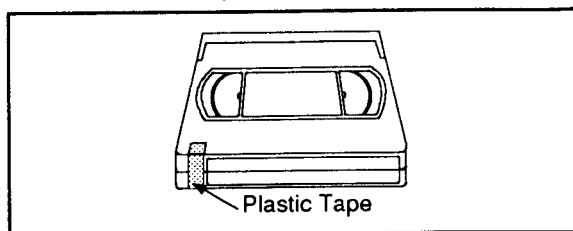
- ★ Avoid moisture. Condensation on the tape can occur if a cassette is moved from a cold place (eg. the boot of a car) to a warm one. Playing a cassette that has moisture in it will damage the tape and your VCR. Before using such a cassette, wait until it has warmed up to room temperature and the moisture has evaporated.
- ★ Avoid extreme heat, high humidity and magnetic fields.
- ★ Do not tamper with the cassette's mechanism.
- ★ Do not touch the tape within the cassette.

ERASE PREVENTION

You can prevent the accidental erasure of a cassette by breaking off the tab at the back edge of the cassette.

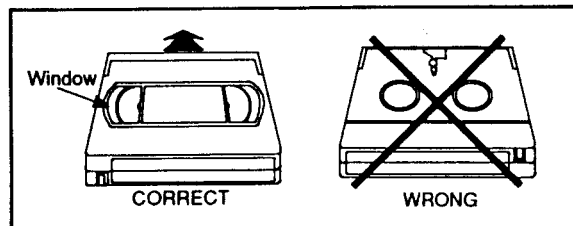


If you need to record on the cassette again, cover the hole with adhesive tape.




INSERTING A CASSETTE

Always insert cassettes in the following way:



Push the cassette in gently, but continuously, at the centre of the back of the cassette until the VCR takes it in mechanically.

The cassette-in indicator  will appear on the status display whenever a cassette is inserted.

REMOVING A CASSETTE

Press the STOP/EJECT button.

After the cassette has stopped moving, withdraw the cassette from the VCR and store it properly.

SETTING UP THE CLOCK FOR THE CORRECT TIME

In the example below, the clock is to be set to 17.40; the year is 1991 and the date is July 14th (Sunday).

- 1 Press STANDBY to switch the VCR on. (The on indicator \square will appear on the status display.)
- 2 Open the lower control panel and press SELECT. On the status display, TIME 12:00 and DATE 15. 6 will appear. Note that 12 will flash, ready for you to set the *hour*.
- 3 Press SET - or + until the correct hour is flashing (example: 17), then press SELECT. Note that 00 will now flash, ready for you to set the *minute*.
- 4 Press SET - or + until the correct minute is flashing (example: 40), then press SELECT. Note that 1990 will now flash, ready for you to set the *year*.

- 5 Press SET – or + until the correct year is flashing (example: 1991), then press SELECT. Note that 6 will now flash, ready for you to set the *month*.
- 6 Press SET – or + until the correct month is flashing (example: 7), then press SELECT. Note that 15 will now flash, ready for you to set the *day*.
- 7 Press SET – or + until the correct day is flashing (example: 14) then press SELECT a final time to start the clock.

NOTES

- ★ Note that the day of the week (MON, TUE, WED, etc.) is set automatically as you adjust the date. The VCR has a built in calendar up to 31st December 2004.
- ★ When the VCR is switched on after the mains supply has been interrupted, --:-- will flash on the status display. If this happens, repeat steps 1 to 7.
- ★ If the status display gives an abnormal reading, disconnect the mains plug from the supply socket for a few seconds, then re-connect it and repeat steps 1 to 7.

RECORDING

The VCR's two tape decks can be configured for recording as follows:

RECORDING A PROGRAMME ONTO ONE CASSETTE - (like a conventional VCR). Note that a *programme* may be a TV channel or an external input (eg. satellite receiver or video camera). To carry this out (normal recording) - use procedure A (on this page).

RECORDING ONE TV CHANNEL ONTO TWO CASSETTES AT THE SAME TIME - (double recording) - use procedure A (on this page).

RECORDING TWO DIFFERENT PROGRAMMES ONTO TWO DIFFERENT CASSETTES - note that one of the programmes *must* be from external input (eg. satellite receiver or SCART TV) - use procedure A (on this page).

RECORDING ONE PROGRAMME CONTINUOUSLY ONTO TWO CASSETTES - the second cassette will start automatically after the first has ended (continuous recording) - use procedure B (page 13).

RECORDING ONTO TWO REPEATING LOOP CASSETTES - the second cassette will start recording after the first has ended, the first will re-start recording after the second has ended, and so on. Each cassette will automatically rewind when it has ended (twin loop recording) - use procedure B (page 13).

RECORDING ONTO ONE REPEATING LOOP CASSETTE - when the cassette has ended, it will automatically rewind and re-start recording (single loop recording) - use procedure B (page 13).

RECORDING FROM ONE CASSETTE TO ANOTHER (tape to tape copying) - use procedure C (page 14).

RECORDING PROGRAMMES BY TIMER ONTO ONE CASSETTE - (timer recording) - use procedure D (page 14).

RECORDING PROGRAMMES BY TIMER CONTINUOUSLY ONTO TWO CASSETTES - the second cassette will start automatically after the first has ended (continuous timer recording) - use procedure D (page 14).

SIMULTANEOUS TIMER AND MANUAL RECORDING - recording programmes by timer onto one cassette while recording (manually) the same TV channel or a different programme onto another cassette - use procedure D (page 14).

QUICK TIMER RECORDING - recording a programme immediately, the duration of which can be set and timed automatically (QTR) - use procedure E (page 17).

PROCEDURE A - NORMAL RECORDING

- 1 Ensure that **TIMER** is not indicated (or flashing) on the status display. If it is, then cancel it by pressing **TIMER REC** (on the lower control panel).
- 2 Press **STANDBY** to switch on the VCR.
- 3 Insert a cassette in tape 1. (Note that the cassette's erase prevention tab must be intact.)

OPTION If you intend to record onto two cassettes, then insert a cassette in tape 2 as well. **NOTE:** If one of the recordings is from a satellite receiver (connected to the SCART 1 socket), then that recording should be made on *tape 1*. If one of the recordings is from a SCART/PERITEL TV (connected to the SCART 2 socket), then that recording should be made on *tape 2*.

- 4 Inside the lower control panel, you will see that the last three buttons on the right select the **TAPE MODE: NORMAL, CONTINUOUS or LOOP**. Press **NORMAL**. (The selected tape mode will be indicated just below the status display.)

- 5 Inside the right-hand control panel, you will see that the upper section of pushbuttons is for tape 1; the lower section is for tape 2. In the tape 1 section, press one of the INPUT SELECT buttons according to the programme you want to record onto tape 1:

If you want to record a TV channel, then press TUNER. (INPUT TUNER will appear on the status display.)

If you want to record from external input (eg. satellite receiver or video camera), then press EXT. (INPUT EXT will appear on the status display.)

OPTION If you also intend to record onto tape 2, then press the appropriate INPUT SELECT button in the tape 2 section.

- 6 In the tape 1 section, press TAPE SPEED to select standard play or long play recording for tape 1. (SP or LP will appear on the status display.)

OPTION If you also intend to record onto tape 2, then press TAPE SPEED in the tape 2 section to select SP or LP recording for tape 2.

- 7 If you intend to record a TV channel, press CHANNEL ∇ or Δ to select the channel. (The selected CH number will appear on the status display.)

- 8 Press RECORD on tape 1. Recording will start. (REC will appear (in red) on the status display.)

OPTION To start recording on tape 2, press RECORD on tape 2.

- 9 When you have finished recording, press STOP/EJECT on tape 1 and/or tape 2. (If a cassette reaches the end before then, it will automatically stop and rewind.)

To edit out some material while recording, press PAUSE on tape 1 or tape 2. To resume recording, press RECORD.

NOTE - To prevent tape damage, avoid leaving the VCR in the pause mode for more than a few minutes. (After five minutes, the VCR will automatically resume recording.)

PROCEDURE B - CONTINUOUS AND LOOP RECORDING

- 1 Ensure that TIMER is not indicated (or flashing) on the status display. If it is, then cancel it by pressing TIMER REC (on the lower control panel).
- 2 Press STANDBY to switch on the VCR.

- 3 Insert a cassette in tape 1. (Note that the cassette's erase prevention tab must be intact.)

OPTION If you intend to record onto two cassettes, then insert a cassette in tape 2 as well.

- 4 Inside the lower control panel, you will see that the last three buttons on the right select the TAPE MODE: NORMAL, CONTINUOUS or LOOP. Press CONTINUOUS. (The selected tape mode will be indicated just below the status display.)

OPTION If you want to make a recording that will keep rewinding and re-starting indefinitely, then press LOOP.

- 5 Inside the right-hand control panel, you will see that the upper section of pushbuttons is for tape 1; the lower section is for tape 2. In the tape 1 section, press one of the INPUT SELECT buttons according to the programme you want to record:

If you want to record a TV channel, then press TUNER. (INPUT TUNER will appear on the status display.)

If you want to record from external input (eg. satellite receiver or video camera), then press EXT. (INPUT EXT will appear on the status display.)

Note that in CONTINUOUS or LOOP mode, tape 1's INPUT SELECT buttons control *both* tape 1 and tape 2.

- 6 In the tape 1 section, press TAPE SPEED to select standard play or long play recording. (SP or LP will appear on the status display.)

Note that in CONTINUOUS or LOOP mode, tape 1's TAPE SPEED button controls *both* tape 1 and tape 2.

- 7 If you intend to record a TV channel, press CHANNEL ∇ or Δ to select the channel. (The selected CH number will appear on the status display.)

- 8 Press RECORD on tape 1. Recording will start. (REC will appear (in red) on the status display.) If a cassette has been inserted in tape 2, then it will start automatically as soon as the cassette in tape 1 has ended.

OPTION If LOOP mode has been selected with *two* cassettes inserted, then tape 2 will start recording after tape 1 has ended. At the same time, tape 1 will rewind itself ready for tape 2 to end, after which tape 1 will start recording again, and so on. This process will continue indefinitely.

OPTION If LOOP mode has been selected with only one cassette inserted (in tape 1), then the cassette will rewind itself when it has ended, after which it will start recording again. This process will continue indefinitely.

NOTE - Continuous or loop recording is always started by pressing *tape 1*'s RECORD button (even if the only cassette inserted is in tape 2).

9 When you have finished recording, press STOP/EJECT on whichever tape deck is currently in operation (indicated by REC (in red) on the status display). If a cassette reaches the end before then, it will automatically stop and rewind.

Note that PAUSE will not operate in CONTINUOUS or LOOP mode.

NOTE - During continuous or loop recording, you may eject and change the cassette in the deck which is *not* currently active without disturbing the recording process. However, you may not manually fast forward or rewind cassettes until recording has been stopped first.

PROCEDURE C - TAPE TO TAPE COPYING

NOTE - Read the section entitled 'WARNING' on page 4 of this book.

- 1 Ensure that TIMER is not indicated (or flashing) on the status display. If it is, then cancel it by pressing TIMER REC (on the lower control panel).
- 2 Press STANDBY to switch on the VCR.
- 3 Insert the cassette to *record* in tape 1. (Note that the cassette's erase prevention tab must be intact.)
- 4 Insert the cassette to *playback* in tape 2.
- 5 Inside the right-hand control panel, you will see that the upper section of pushbuttons is for tape 1; the lower section is for tape 2. In the tape 1 section, press TAPE SPEED according to whether you want the recording to be made in standard play or long play. (SP or LP will appear on the status display.)
- 6 Press SYNCHRO START once. Tape 1 will stand by to record. (REC will appear (in red) on the status display, together with INPUT TAPE.) At the same time, tape 2 will stand by to playback. (PLAY will appear on the status display.)

NOTE - If either of the cassettes is at the end of the tape (or if the cassette in tape 1 has had its erase prevention tab removed), then it will be ejected as soon as

SYNCHRO START is pressed. If either cassette is missing, ERROR will flash (in red) on the status display.

7 Press SYNCHRO START a second time to start the copying process.

NOTE - If SYNCHRO START is pressed once and left to stand by for more than five minutes, tape 1 and tape 2 will automatically stop to protect the tape from undue wear.

8 When you have finished copying, press STOP/EJECT on tape 1 or tape 2. (If either cassette reaches the end before then, both cassettes will automatically stop, and the one which has ended will be ejected.)

(Whenever SYNCHRO START copying is activated, the VCR will take a short period of time to prepare internally. Note, therefore, if SYNCHRO START is pressed twice in quick succession, you should wait a few seconds for the copying process to begin.)

Note that PAUSE will not operate during SYNCHRO START copying.

OPTION Instead of using the SYNCHRO START button, you may copy from tape 2 to tape 1 (or from tape 1 to tape 2) manually. To do this, select NORMAL tape mode and set the INPUT SELECT buttons to TAPE on the *recording* deck. Using this option, record and playback will *not* be synchronised and you will be able to edit out material using PAUSE on tape 1 or tape 2.

PROCEDURE D - TIMER RECORDING

You may set the VCR to record automatically up to seven events at seven different times during the coming month. Each event may be on a different channel and/or recorded at a different speed. Any of the seven events may be recorded at the same time, same channel, same speed, *every day*, and additionally, one event may be recorded at the same time, same channel, same speed, *every week*.

NOTE - Before programming the timer, the clock must be set to the correct time and date. Additionally, the VCR tuner channels must be set up.

In the example that follows, timer event 1 is programmed to record on Tuesday 16th July from 7.30 to 8.50, channel 2, LP. (The current time is 17.40 on Sunday 14th July 1991.)

- 1 Ensure that TIMER is not indicated (or flashing) on the status display. If it is, then cancel it by pressing TIMER REC (on the lower control panel).

2 Press STANDBY to switch on the VCR.

3 Insert a cassette in tape 1. (Note that the cassette's erase prevention tab must be intact.)

OPTION If you intend to record onto two cassettes, then insert a cassette in tape 2 as well.

4 Inside the lower control panel, you will see that the last three buttons on the right select the TAPE MODE: NORMAL, CONTINUOUS or LOOP. Press NORMAL. (The selected tape mode will be indicated just below the status display.)

OPTION If you intend to record *continuously* onto two cassettes by timer so that the second cassette starts after the first has ended, then press CONTINUOUS.

5 Inside the right-hand control panel, you will see that the upper section of pushbuttons is for tape 1; the lower section is for tape 2. In the tape 1 section, press one of the INPUT SELECT buttons according to the programme you want to record:

If you want to record a TV channel, then press TUNER. (INPUT TUNER will appear on the status display.)

If you want to record from external input (eg. satellite receiver), then press EXT. (INPUT EXT will appear on the status display.)

OPTION If, in addition to timer recording, you intend to record manually on tape 2, then set tape 2's INPUT SELECT buttons to TUNER or EXT (note that external input will be from SCART 2).

6 Inside the lower control panel, the first six buttons on the left are for setting up timer recording. Press PROG CHECK. On the status display, the current time, date and channel number will disappear, and any unoccupied event numbers will flash (example: 1 2 3 4 5 6 7 WEEKLY).

7 Press SET – or + until the desired event number is flashing (example: 1), then press SELECT. (Note that START appears on the status display, telling you to set up the start time.)

Press VPS to cancel VPS on the status display.

8 Press SET – or + until the desired day is flashing (example: TUE 16), then press SELECT.

9 Press SET – or + until the start hour is flashing (example: 7), then press SELECT.

10 Press SET – or + until the start minute is flashing (example: 30), then press SELECT. (Note that END appears on the status display, telling you to set up the end time.)

11 Press SET – or + until the end hour is flashing (example: 8), then press SELECT.

12 Press SET – or + until the end minute is flashing (example: 50), then press SELECT.

13 Press SET – or + until the desired TV channel number is flashing (example: CH 2), then press SELECT. (Note that if you previously selected *external* input, then E will appear instead of the channel number.)

14 Press SET – or + until the desired tape speed is flashing (example: LP), then press SELECT.

Event 1 is now programmed. If you want to programme any more events, repeat steps 7 to 14.

15 Press TIMER REC to activate automatic timer recording. On the status display, TIMER will appear, and at the set time(s) the VCR will automatically switch on, record, and switch off again.

NOTES

★ If TIMER *does not* appear on the status display when you press TIMER REC, then you have made a mistake during programming. Repeat steps 1 to 15.

★ If TIMER is *flashing* on the status display, then you have not inserted the cassette. (If ERROR is flashing (in red), then you have not inserted one or both cassettes for continuous timer recording.)

★ If you have inserted a cassette with its erase prevention tab removed (or a cassette which is at the end of the tape), then it will be ejected as soon as TIMER REC is pressed.

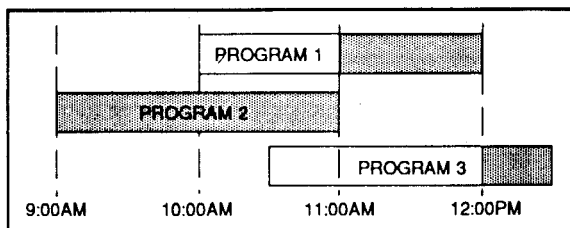
★ If the tape runs out before the end time during timer recording, the VCR will automatically eject the cassette.

★ To *stop* timer recording, press TIMER REC (so that TIMER does not appear on the status display).

★ After timer recording has finished, TIMER will flash on the status display.

★ If TAPE input has been selected before timer recording is activated, the VCR will automatically re-select TUNER input.

- ★ When programmed events overlap, the *earlier* event has priority. For example, if you programmed the timer as per the illustration below, timer recording would be carried out as follows:



9.00am to 11.00am - programme 2
 11.00am to 12.00pm - programme 1
 12.00pm onwards - programme 3

DAILY RECORDING

To record a programme at the same time on the same channel every day, follow steps 1 to 7 of procedure D, then step 8 as follows:

- 8 Press SET – once. All the day indicators (SUN MON TUE WED THU FRI SAT) will flash together, then press SELECT.

Continue from step 9 onwards.

WEEKLY RECORDING

To record a programme at the same time on the same channel every week, follow steps 1 to 6 of procedure D, then step 7 as follows:

- 7 Press SET – twice. WEEKLY will flash on the status display, then press SELECT.

Continue from step 8 onwards.

CHECKING A TIMER EVENT

After setting the timer and pressing TIMER REC, you may check the event number, start/end time, channel number and tape speed as follows:

- 1 Press PROG CHECK.
- 2 Press SET – or + until the event number you wish to check is flashing (example: 1), and your timer settings will be indicated on the status display.

If you want to check any more events, repeat step 2.

- 3 Press PROG CHECK to return to normal operation.

ERASING A TIMER EVENT

- 1 Ensure that TIMER is not indicated (or flashing) on the status display. If it is, then press TIMER REC to cancel it.
- 2 Press STANDBY to switch on the VCR.
- 3 Press PROG CHECK.
- 4 Press SET – or + until the event number you wish to erase is flashing (example: 1), then press CANCEL/ERASE.

Event 1 is now erased. If you want to erase any more events, repeat step 4.

- 5 Press PROG CHECK to return to normal operation.

TIMER RECORDING PLUS ADDITIONAL RECORDING

If you have set up timer recording (on tape 1), you may additionally use tape 2 for *manual* recording (on condition that *NORMAL* tape mode was selected when setting up timer recording).

If timer recording has been set up but the programme has not yet started, then you may use CHANNEL ∇ or Δ to change channels for manual recording. Once the timer programme starts, however, the channel will be 'fixed' in accordance with the timer programme settings. This means that if you set up timer recording for one channel (eg. CH 1), you may manually record a *different* channel (eg. CH 2) before the timer programme actually starts. If the timer programme does start while manual recording is in progress, manual recording will automatically stop.

If manual recording is of the *same* channel as timer recording, then manual recording will continue after timer recording starts.

Similarly, if manual recording is of *external* (SCART 2) input, it will continue after timer recording starts (even if timer recording is also of external (SCART 1) input).

TIMER RECORDING PLUS PLAYBACK

If you have set up timer recording (on tape 1), you may additionally use tape 2 for playback (on condition that *NORMAL* tape mode was selected when setting up timer recording).

For further details, see procedure H (page 20).

PROCEDURE E - QTR (QUICK TIMER RECORDING)

The QTR function enables you to instantly record a programme for a timed period without having to set up the timer.

- 1 Ensure that **TIMER** is not indicated (or flashing) on the status display. If it is, then press **TIMER REC** to cancel it.
- 2 Switch on the VCR and insert a cassette in tape 1.

OPTION If you intend to record onto two cassettes, then insert a cassette in tape 2 as well.

- 3 Press one of the **TAPE MODE** buttons to select **NORMAL**, **CONTINUOUS** or **LOOP**.
- 4 In the tape 1 section of the right-hand control panel, press one of the **INPUT SELECT** buttons to select **TUNER** or **EXT** (external input from SCART 1).
- 5 In the tape 1 section of the right-hand control panel, press **TAPE SPEED** to select **SP** or **LP**.
- 6 If you intend to record a TV channel, press **CHANNEL** ▽ or △ to select the channel.
- 7 Press **QTR** once to select quick timer recording mode; press it again to select the desired QTR time. Each press increases the QTR time by 30 minutes. The QTR **END** time will be indicated on the status display, counting down to zero as QTR progresses.

The length of recording time can be set to any 30 minute interval up to 16 hours (ie. 30 minutes, 1 hour, 1 hour 30 minutes, 2 hours, etc.).

NOTES

- ★ If QTR is *flashing* (in red) on the status display, then you have not inserted the cassette in tape 1.
- ★ If you have inserted a cassette with its erase prevention tab removed (or a cassette which is at the end of the tape), then the cassette will be ejected as soon as QTR is pressed.

- ★ If the tape runs out before the **END** time during QTR, the VCR will automatically eject the cassette.

- ★ To *stop* QTR, press **STOP/EJECT** on whichever tape deck is currently in operation (indicated by **REC** (in red) on the status display).

- ★ QTR will stop automatically when the **END** countdown on the status display reaches 0:00.

- ★ **PAUSE** will not operate during QTR.

SECURITY MONITORING APPLICATIONS

By connecting a video camera and setting the VCR to record in **LOOP** mode, you can effect a non-stop surveillance recording facility. This application can be used for security monitoring, where uneventful material can be re-recorded over and over again.

Although single loop recording is possible (one cassette only), twin loop recording (two cassettes) is preferable as one of the cassettes will always be recording, even if the other is rewinding.

When using the VCR in this application, connect your video camera to the SCART 1 socket and set tape 1's **INPUT SELECT** buttons to **EXT**.

If and when any noteworthy event has been recorded, stop the cassette(s) and retain the video evidence.

By using the programme timer in combination with loop recording, the above application can be made fully automatic, so that it starts and ends at set times (eg. office hours) every day, indefinitely.

Loop recording may also be used in combination with QTR.

PLAYBACK

The VCR's two tape decks can be configured for playback as follows:

PLAYBACK ONE CASSETTE - (like a conventional VCR). To carry this out (normal playback) - use procedure F (on this page).

PLAYBACK TWO CASSETTES TO ONE TV - the output to the TV is switchable between the two cassettes (double playback) - use procedure F (on this page).

PLAYBACK TWO CASSETTES TO TWO TVs - two different cassettes playing back to two different TVs (simultaneous playback) - use procedure F (on this page).

PLAYBACK ONE CASSETTE TO THREE TVs - (3-TV playback) - use procedure F (on this page).

PLAYBACK TWO CASSETTES CONTINUOUSLY - the second cassette will start automatically after the first has ended (continuous playback) - use procedure G (page 19).

PLAYBACK TWO REPEATING LOOP CASSETTES - the second cassette will start playback after the first has ended, the first will re-start playback after the second has ended, and so on. Each cassette will automatically rewind when it has ended (twin loop playback) - use procedure G (page 19).

PLAYBACK ONE REPEATING LOOP CASSETTE - when the cassette has ended, it will automatically rewind and re-start playback (single loop playback) - use procedure G (page 19).

SIMULTANEOUS PLAYBACK AND RECORDING - one cassette will playback while the other is recording - use procedure H (page 20).

PROCEDURE F - NORMAL PLAYBACK

- 1 Switch on your TV and select the video channel.
- 2 Ensure that **TIMER** is not indicated (or flashing) on the status display. If it is, then cancel it by pressing **TIMER REC** (on the lower control panel).
- 3 Press **STANDBY** to switch on the VCR.
- 4 Insert a cassette in tape 1.

OPTION If you intend to playback two cassettes, then insert a cassette in tape 2 as well.

- 5 Inside the lower control panel, you will see that the last three buttons on the right select the **TAPE MODE: NORMAL, CONTINUOUS** or **LOOP**. Press **NORMAL**. (The selected tape mode will be indicated just below the status display.)
- 6 Press **PLAY** on tape 1. Playback will start. (**PLAY** will appear on the status display.) Note that the correct speed (**SP** or **LP**) will be selected automatically during playback.

OPTION To playback the second cassette, press **PLAY** on tape 2. If you have connected only *one* TV to the VCR (as described earlier in this book), then use the **OUTPUT SELECT** button (on the lower control panel) to switch between tape 1 and tape 2 on the TV. (The selected output will be indicated just below the status display.)

OPTION To playback two cassettes to *two* TVs at the same time, connect the additional TV to the **SCART 1** socket on the back panel. The **OUTPUT SELECT** button should be set to **TAPE 2**.

OPTION To playback one cassette (tape 1) to *three* TVs, connect them to the **SCART 1**, **SCART 2** and **RF OUT** sockets on the back panel. The **OUTPUT SELECT** button should be set to **TAPE 1**.

- 7 When you have finished playback, press **STOP/EJECT** on tape 1 and/or tape 2. (If a cassette reaches the end before then, it will automatically stop and rewind.)

PICTURE SEARCH

You may search backwards or forwards at high speed during playback. To do this, press PLAY (to start playback), then press REWIND or F.FWD to search backwards or forwards respectively. To search faster, hold the REWIND or F.FWD button in.

IMPORTANT NOTICE

During picture search and playback/pause, you will see 'noise bars' on the screen. Note that this is not a fault; the VCR is operating normally. (The noise bars are an unavoidable by-product of the long play facility.)

Note that if the tape was recorded in long play mode, picture search and playback/pause will be in black-and-white only.

PLAYBACK/PAUSE

To pause during playback, press PAUSE on tape 1 or tape 2. To resume playback, press PLAY.

NOTE - To prevent tape damage, avoid leaving the VCR in the pause mode for more than a few minutes. (After five minutes, the VCR will automatically stop.)

To get a clearer picture during playback/pause, it may help to shift the position of the noise bars on the screen. To do this, press PAUSE a few times.

TRACKING

When playing back a cassette which has been recorded on a different tape deck (eg. playing back a tape on tape 2 that was recorded on tape 1), continuous noise bars may appear on the playback picture. If this happens, open the right-hand control panel and adjust the tape 1 or tape 2 TRACKING control by turning it slowly in either direction until the noise disappears. When playback of this particular cassette has ended, return the control to the mid-position.

PROCEDURE G - CONTINUOUS AND LOOP PLAYBACK

- 1 Switch on your TV and select the video channel.
- 2 Ensure that TIMER is not indicated (or flashing) on the status display. If it is, then cancel it by pressing TIMER REC (on the lower control panel).
- 3 Press STANDBY to switch on the VCR.
- 4 Insert a cassette in tape 1.

OPTION If you intend to playback two cassettes, then insert a cassette in tape 2 as well.

- 5 Inside the lower control panel, you will see that the last three buttons on the right select the TAPE MODE: NORMAL, CONTINUOUS or LOOP. Press CONTINUOUS. (The selected tape mode will be indicated just below the status display.)

OPTION If you want the cassette(s), when finished, to keep rewinding and re-starting indefinitely, then press LOOP.

- 6 Press PLAY on tape 1. Playback will start. (PLAY will appear on the status display.) Note that the correct speed (SP or LP) will be selected automatically during playback. If a cassette has been inserted in tape 2, then it will start automatically as soon as the cassette in tape 1 has ended.

OPTION If LOOP mode has been selected with two cassettes inserted, then tape 2 will start playback after tape 1 has ended. At the same time, tape 1 will rewind itself ready for tape 2 to end, after which tape 1 will start playback again, and so on. This process will continue indefinitely.

OPTION If LOOP mode has been selected with only one cassette inserted (tape 1 or tape 2), then the cassette will rewind itself when it has ended, after which it will start playback again. This process will continue indefinitely.

NOTE - Continuous or loop playback is always started by pressing *tape 1's* PLAY button (even if the only cassette inserted is in tape 2).

- 7 When you have finished playback, press STOP/EJECT on whichever tape deck is currently in operation (indicated by PLAY on the status display).

Note that playback/pause and picture search will not operate in CONTINUOUS or LOOP mode.

NOTE - During continuous or loop playback, you may eject and change the cassette in the deck which is *not* currently active without disturbing the playback process. However, you may not manually fast forward or rewind cassettes until playback has been stopped first.

PROCEDURE H - SIMULTANEOUS PLAYBACK AND RECORDING

- 1 Set up the VCR to record onto *tape 1*. (Note that the recording may be manual, timer or QTR - use procedures A, D or E - pages 12 to 17.)
- 2 Switch on your TV and select the video channel.
- 3 Switch on the VCR and insert the cassette to playback in *tape 2*.
- 4 Make sure that NORMAL tape mode is selected.
- 5 Press PLAY on *tape 2*. Playback will start.

If, during playback, you wish to monitor recording, then use the OUTPUT SELECT button (on the lower control panel) to switch between *tape 1* and *tape 2* on the TV. (The selected output will be indicated just below the status display.)

You may use picture search and playback/pause on *tape 2* (see the section entitled 'IMPORTANT NOTICE' on page 19).

- 6 When you have finished playback, press STOP/EJECT on *tape 2*.

SHOWROOM DEMONSTRATION APPLICATIONS

By inserting two cassettes and setting the VCR to playback in LOOP mode, you can effect a non-stop promotion/demonstration playback facility. This is useful in showroom or exhibition applications.

Although single loop playback is possible (one cassette only), twin loop playback (two cassettes) is preferable as one of the cassettes will always be playing back, even if the other is rewinding.

When using the VCR in this application, it is suggested that you set *tape 1*'s INPUT SELECT buttons to EXT.

TAPE COUNTERS

Two 4-digit electronic counters are incorporated on the VCR; one for *tape 1*, one for *tape 2*.

The counters register the progress of the tape in the cassettes. Each counter can be reset to 0000 to 'mark' a certain point on the tape so that it can easily be found again later. Additionally, each counter has a memory facility to automatically stop the tape when 0000 is reached during rewind (or forward wind).

The counter and memory can be used so that, for example, a tape rewinds to the beginning of a recording, ready for playback.

- 1 Inside the right-hand control panel, press the RESET button for the tape deck being used. (The digits will reset to COUNT 0000 on the status display.)
- 2 To switch the counter memory on, press MEMORY. (MEMO will appear on the status display.)

Now make your recording as normal. Afterwards, when you are ready for playback, rewind the tape and it will stop at 0000 automatically.

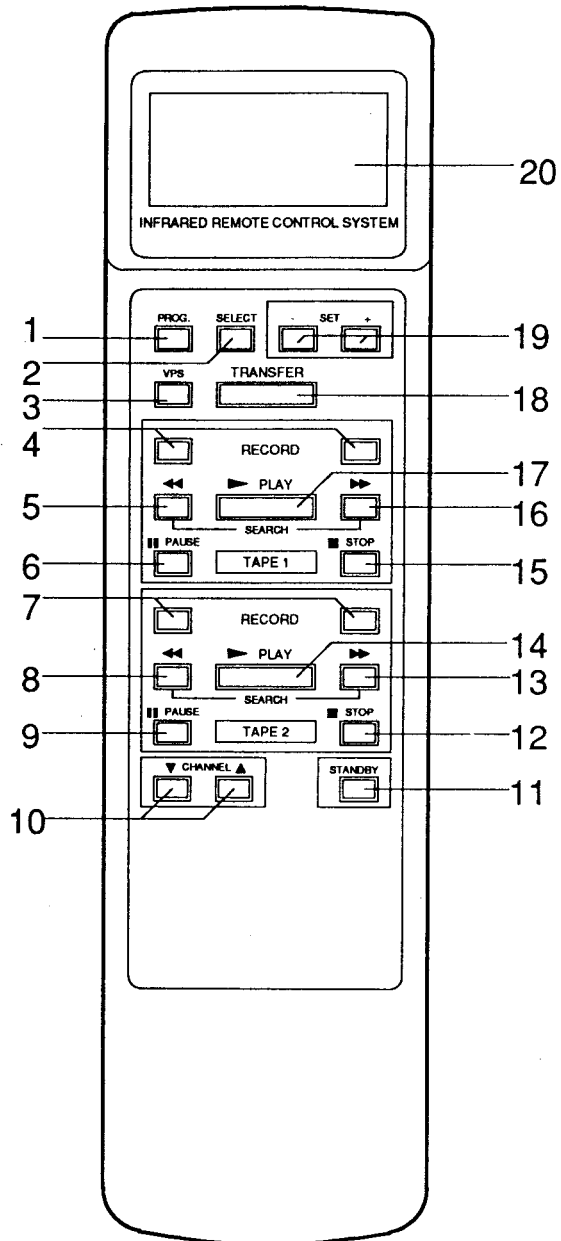
To switch the counter memory off, press MEMORY a second time.

NOTE - The counter memory does not operate during CONTINUOUS or LOOP mode. (MEMO will only appear on the status display when NORMAL mode is selected.)

REMOTE CONTROL OPERATION

You can operate all the tape transport functions for tape 1 and tape 2 by remote control using the handset provided. The buttons on the handset perform the same functions as those on the VCR.

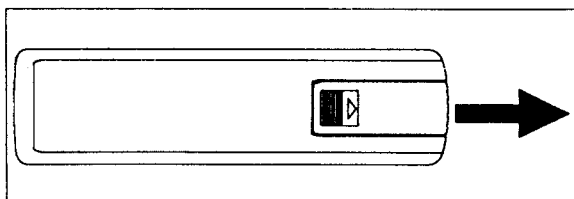
- 1 **PROG. button** - Press to start the timer programming sequence.
- 2 **SELECT button** - Press to confirm the timer settings.
- 3 **VPS button** - For German market only.
- 4 **Tape 1 RECORD buttons** - Press both buttons together to start tape 1 recording.
- 5 **Tape 1 ◀◀ rewind button** - Press to rewind tape 1. If the tape is playing, press to search backwards on the screen. Hold in to search faster. (Press PLAY to return to normal playback.)
- 6 **Tape 1 PAUSE button** - Press to temporarily stop tape 1 during playback or recording.
- 7 **Tape 2 RECORD buttons** - Press both buttons together to start tape 2 recording.
- 8 **Tape 2 ◀◀ rewind button** - Press to rewind tape 2. If the tape is playing, press to search backwards on the screen. Hold in to search faster. (Press PLAY to return to normal playback.)
- 9 **Tape 2 PAUSE button** - Press to temporarily stop tape 2 during playback or recording.
- 10 **CHANNEL ▼ and ▲ buttons** - Press to select the channel for manual recording or viewing.
- 11 **STANDBY button** - Press to switch the VCR on and off.
- 12 **Tape 2 STOP button** - Press to stop tape 2.
- 13 **Tape 2 ▶▶ fast forward button** - Press to forward wind tape 2. If the tape is playing, press to search forwards on the screen. Hold in to search faster. (Press PLAY to return to normal playback.)
- 14 **Tape 2 PLAY button** - Press to start tape 2 playback.
- 15 **Tape 1 STOP button** - Press to stop tape 1.
- 16 **Tape 1 ▶▶ fast forward button** - Press to forward wind tape 1. If the tape is playing, press to search forwards on the screen. Hold in to search faster. (Press PLAY to return to normal playback.)
- 17 **Tape 1 PLAY button** - Press to start tape 1 playback.



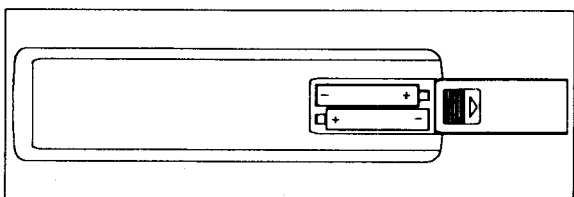
- 18 **TRANSFER button** - Press to transfer the programmed timer recording information to the VCR.
- 19 **SET buttons** - Press to adjust the timer settings.
- 20 **LCD** - Liquid crystal display indicating the timer settings.

INSTALLING THE REMOTE CONTROL BATTERIES

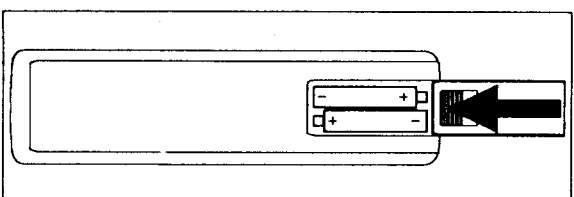
- 1 Slide the battery compartment cover away from the handset.



- 2 Insert the batteries into the battery compartment. (The type number and direction of the batteries is indicated inside the compartment.)



- 3 Replace the cover.



TIMER RECORDING BY REMOTE CONTROL

Timer recordings can be programmed using the remote control handset and then the programmed information is transferred to the VCR simply by pressing the TRANSFER button. Using the handset, the VCR can be programmed to record automatically up to seven events at seven different times during the coming fortnight. Each event may be on a different channel, and any or all of the seven events may be recorded at the same time and same channel *every day*. Additionally, one event may be recorded at the same time and same channel *every week*.

NOTES

- ★ The VCR's clock must be set to the correct time and date before setting the timer.
- ★ During programming, the handset does not have to be aimed at the remote sensor on the VCR front panel (except during the TRANSFER operation).

- ★ To conserve battery life, the handset display will shut down if it is not operated for a minute or more. When this happens, any previous information programmed into the handset will be lost. Bear this in mind while programming and avoid long delays between button presses.

- ★ The VCR must be in the stop mode before pressing the TRANSFER button.

In the example that follows, event 1 is programmed to record on Tuesday, starting 21.35, ending 23.05, channel 3, long play.

- 1 Press PROG. on the handset. Event numbers 1 2 3 4 5 6 7 and WEEKLY will flash on the handset display.

- 2 Press SET + (or -) until the desired event number is flashing (example: 1), then press SELECT.

Press VPS to cancel VPS on the handset display.

- 3 Press SET + (or -) until the desired day is flashing (example: TUE). NOTE: To record on Tuesday *next week*, keep pressing the button until 2ND TUE appears on the display. Once you have set the correct day, press SELECT.

- 4 Press SET - or + until the START hour is flashing (example: 21), then press SELECT.

- 5 Press SET - or + until the START minute is flashing (example: 35), then press SELECT.


- 6 Press SET - or + until the END hour is flashing (example: 23), then press SELECT.

- 7 Press SET - or + until the END minute is flashing (example: 05), then press SELECT.

- 8 Press SET + (or -) until the desired TV channel number is flashing (example: CH 3), then press SELECT.

NOTE - Even if you wish to record by timer from *external* input (eg. satellite receiver), you should nevertheless select a valid channel number (eg. CH 1) during this programming procedure.

- 9 Press SET - or + until the desired tape speed is flashing (example: LP), then press SELECT.

- 10 The  symbol will flash, telling you that all the timer information is ready to transfer to the VCR. Point the handset at the VCR's remote sensor and press the TRANSFER button. Once the programmed information has been transferred to the VCR, timer recording mode will be activated. (TIMER will appear on the VCR's status display.)

(If you were previously watching your TV on the video channel, the screen will go blank. Select a different channel on your TV.)

If ERROR flashes (in red) on the status display when you press TRANSFER, then you have programmed the handset incorrectly. Try pressing TRANSFER again; if ERROR continues to flash, repeat steps 1 to 10, paying particular attention to the accompanying notes.

If you want to programme another event, simply repeat the procedure.

NOTE - If you programme an event (eg. 1) which has been programmed previously, the new event will automatically overwrite the old event.

DAILY RECORDING BY REMOTE CONTROL

Follow steps 1 and 2 of the above procedure, then step 3 as follows:

- 3 Press SET – once. All the days (SUN MON TUE WED THU FRI SAT) will flash together, then press SELECT.

Continue from step 4 onwards.

WEEKLY RECORDING BY REMOTE CONTROL

Follow step 1 of the above procedure, then step 2 as follows:

- 2 Press SET – twice. WEEKLY will flash, then press SELECT.

Continue from step 3 onwards.

REFERENCE INFORMATION

TROUBLESHOOTING GUIDE

If you have any difficulty in operating your VCR, locate the SYMPTOM in the left column below, then check the corresponding POSSIBLE CAUSE and CORRECTIVE ACTION columns to locate and remedy the problem.

SYMPTOM	POSSIBLE CAUSE	CORRECTIVE ACTION
No power.	Mains plug is not connected. POWER switch is set to off. STANDBY button is set to off. Timer recording has been set.	Connect mains plug to supply socket. Set POWER switch to on. Press STANDBY to switch VCR on. Press TIMER REC to cancel.
Timer recording is not possible.	The timer has not been programmed correctly. Timer recording has not been set.	Programme the timer correctly. Press TIMER REC to activate.
Recording mode does not operate.	The erase prevention tab on the cassette is missing.	Cover the tab hole with adhesive tape.
Playback picture is partially noisy.	Mistracking.	Adjust TRACKING control for best picture.
Noisy/grainy playback picture.	Video head is dirty.	Head cleaning is necessary. Consult your dealer.
No picture on playback.	Your TV is not set to the correct channel.	Select the video channel on your TV.
Tape transport functions do not work.	Dew indicator is on.	Wait until dew indicator goes off.
TV programme cannot be recorded.	INPUT SELECT buttons are set to EXT or TAPE.	Set INPUT SELECT buttons to TUNER.
Remote control handset does not operate.	Batteries run down.	Check/replace batteries.

MAINTENANCE

CABINET CLEANING

Wipe the front panel and other exterior surfaces of the VCR with a soft damp cloth. Never use petrol, thinners or solvent cleaners. Do not spray insecticide liquid near the VCR. Such chemicals may cause damage and discolouration to the cabinet.

HEAD CLEANING

If the playback picture becomes noisy, grainy, blurred or interrupted even though the TV programme received is clear, this may indicate that the video head

requires cleaning. (This problem is caused by the build-up of metal oxide and dirt from the tape's surface after long periods of use.) Head cleaning should be carried out only by qualified personnel - we recommend that you consult your dealer.

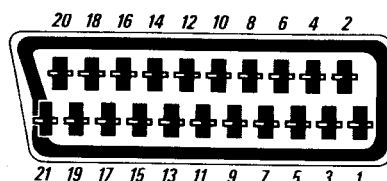
SERVICING

Should your VCR fail to operate, do not try to correct the problem yourself. Remember that there are no user-serviceable parts inside. Disconnect the VCR from the mains supply and take it to your dealer or authorised repairer.

SPECIFICATION

Format:	VHS
TV system:	PAL B/G
Recording system:	2-head helical scanning VHS(PAL)
Luminance signal:	FM modulated azimuth
Colour signal:	Converted subcarrier phase shift
Video signal:	PAL 625 lines, 50Hz + CopyGuard protection
Tape width:	1/2 inch (12.7mm)
Tape Speed:	23.4mm/sec SP 11.7mm/sec LP
Record/playback time:	8 hours SP (2 x E240) continuous 16 hours LP (2 x E240) continuous
Tuner:	Voltage synthesis auto search +AFT
RF input:	UHF channels 21-69 VHF channels E2-E4, E5-E12 CATV channels X, Y, Z, S1, S2, S3-S20
RF output:	UHF channel 36 (adjustable 32-40)
Video input:	1V p-p 75 ohms
Video output:	1V p-p 75 ohms
Horizontal resolution:	>230 TV lines
Video S/N ratio:	44dB weighted
Audio input:	-10dBV
Audio output:	-6dBV
Audio frequency response:	200Hz-8kHz
Audio S/N ratio:	40dB
Clock:	24 hour + date
Timer:	7 programmes over 1 month (or 7 programmes every day) + 1 weekly programme
Connections:	SCART 1 21-way audio/video (in/out) SCART 2 21-way audio/video (in/out) AERIAL 75 ohms coaxial female RF OUT 75 ohms coaxial male
Mains input:	220 Volts AC 50Hz
Power Consumption:	35W
Dimensions:	360 x 190 x 325mm
Weight:	11kg
Operating temperature:	5°C-40°C
Accessories provided:	LCD programmer remote control handset Handset batteries RF output cable User instruction manual

SCART SOCKET CONNECTIONS



SCART 1

- 1 Audio output (tape 1 only)
- 2 Audio input
- 3 (as pin 1)
- 4 Audio earth
- 6 (as pin 2)
- 8 Switching output voltage
- 17 Video earth
- 19 Video output (tape 1 only)
- 20 Video input
- 21 Shield/earth

SCART 2

- 1 Audio output
- 2 Audio input (tape 2 only)
- 3 (as pin 1)
- 4 Audio earth
- 6 (as pin 2)
- 8 Switching output voltage
- 17 Video earth
- 19 Video output
- 20 Video input (tape 2 only)
- 21 Shield/earth

INPUTS AND OUTPUTS

In general, you should use the SCART 1 socket for connecting *inputs* (eg. satellite receiver), and the SCART 2 socket for connecting *outputs* (eg. TV), as described on page 9.

There are a few occasions, however, when you will need to use SCART 1 for output and SCART 2 for input; for example:

- ★ When playing back two different cassettes to separate TVs, one of the TVs will need to be connected to SCART 1.
- ★ When playing back one cassette to three TVs, one of the TVs will need to be connected to SCART 1.
- ★ When recording from two external sources (eg. satellite receiver and video camera) at the same time, one of the external sources will need to be connected to SCART 2.
- ★ When recording from external source (eg. satellite receiver) while timer recording is in operation, you will need to connect the external source to SCART 2.

©1990 Amstrad plc.
All rights reserved

Written by Ivor Spital

First edition 1990

Neither the whole nor any part of the information contained herein, nor the product described in this guide, may be adapted or reproduced in any material form except with the prior written approval of Amstrad plc. All information of a technical nature and particulars of the product and its use (including the information and particulars in this guide) are given by Amstrad plc. in good faith, but may contain errors.

The product described in this guide, and products for use with it are subject to continuous development and improvement. Amstrad plc. reserves the right to change component types, manufacturers, sources of supply or technical specification at any time.

All maintenance and service on the product must be carried out by Amstrad authorised dealers. Amstrad plc. cannot accept warranty claims for any loss or damage caused by service or maintenance by unauthorised personnel. This guide is intended only to assist the reader in the use of the product, and therefore, Amstrad plc. shall not be liable for any loss or damage whatsoever arising from the use of any information or particulars in, or any error or omission in, this guide or any use of the product.

Amstrad plc. is not in control of broadcasts and cannot warrant the continuity of any broadcast services described in this guide, free of charge or at all.

Amstrad is a registered trademark of Amstrad plc. Double Decker is a trademark of Amstrad plc. Unauthorised use of trademarks is strictly forbidden.

We ask that all users take care to submit their product registration cards.

The serial number of this VCR may be found on the back panel. Make a note of the number (and other important information) here and retain this book as a permanent record of your purchase to aid identification in case of theft.

Serial number:	
Date of purchase:	
Dealer purchased from:	
Dealer's address:	
Dealer's phone number:	

QUICK GUIDE TO OPERATION

Use this guide once you are familiar with the VCR's controls and functions.

RECORDING

- 1 Insert the cassette(s).
- 2 Select the desired TAPE MODE button (see below if necessary).
- 3 Select the desired INPUT SELECT button (see below if necessary).
- 4 Select SP or LP using the TAPE SPEED button.
- 5 Select the channel to record (if necessary) using the CHANNEL ∇ or Δ button.
- 6 Press RECORD.
- 7 Press STOP/EJECT to stop recording.

PLAYBACK

- 1 Insert the cassette(s).
- 2 Select the desired TAPE MODE button (see below if necessary).
- 3 Press PLAY.
- 4 Press STOP/EJECT to stop playback.

SUMMARY OF CONTROLS

The **OUTPUT SELECT** button sets your TV to monitor tape 1 or tape 2.

The **TAPE MODE** buttons control the way tape 1 and tape 2 combine:

NORMAL - Tape 1 and tape 2 operate like two independent VCRs.

CONTINUOUS - After tape 1 ends, tape 2 starts.

LOOP - After tape 1 ends, tape 2 starts. After tape 2 ends, tape 1 starts again, and so on.

The **INPUT SELECT** buttons control what tape 1 or tape 2 will record:

TUNER - Record a TV channel (selected by the CHANNEL ∇ and Δ buttons).

EXT - Record an external source (eg. satellite receiver or TV) connected to the rear SCART socket(s).

TAPE - Record from the other tape deck (ie. tape to tape copying).

INHALTSVERZEICHNIS

LEISTUNGSMERKMALE	4
VORSICHTSMASSNAHMEN	5
BEDIENELEMENTE UND FUNKTIONEN	6
VORBEREITUNGEN ZUR INBETRIEBNAHME	8
AUFNAHME	12
PROZEDUR A - NORMALE AUFNAHME	13
PROZEDUR B - ENDLOSAUFNAHMEN	13
PROZEDUR C - KOPIEREN VON BAND ZU BAND	14
PROZEDUR D - TIMERAUFNAHMEN	15
WIEDERGABE	19
PROZEDUR F - NORMALE WIEDERGABE	19
PROZEDUR G - ENDLOSWIEDERGABE UND WIEDERGABE OHNE UNTERBRECHUNGEN	20
PROZEDUR H - GLEICHZEITIGE AUFNAHME UND WIEDERGABE	21
BENUTZUNG DER FERNBEDIENUNG	22
FEHLERHILFE	25
WARTUNG	26
TECHNISCHE DATEN	27
SCARTBELEGUNSPAN	28
KURZ-BEDIENUNGSANLEITUNG	30

HINWEIS: Sobald Sie mit Ihrem VCR und seinen Funktionen vertraut sind, können Sie auch die kurze Bedienungsanleitung auf Seite 30 benutzen.

AMSTRAD DD8904

**VIDEORECORDER MIT ZWEI LAUFWERKEN, LONG-PLAY-
MÖGLICHKEIT UND LCD-FERNBEDIENUNG**

BEDIENER-HANDBUCH

**Lesen Sie dieses Handbuch vor Inbetriebnahme des Video-
recorders sorgfältig durch.**

HQ

**Videorecorder mit dem Kennzeichen 'HQ' arbeiten mit der qualitativ hoch
wertigen VHS-Technologie. Die Kompatibilität mit sämtlichen VHS-Video-
recordern ist gewährleistet.**

Die Deutsche Bundespost informiert

Sehr geehrter Rundfunkteilnehmer!

Dieses Gerät ist von der Deutschen Bundespost als Ton- bzw. Fernseh-Rundfunkempfänger zugelassen. Es entspricht den zur Zeit geltenden Technischen Vorschriften der Deutschen Bundespost und ist zum Nachweis dafür mit dem DBP-Zulassungskennzeichen.... gekennzeichnet. Bitte überzeugen Sie sich selbst.

Dieses Gerät darf im Rahmen der nachstehend abgedruckten "Allgemeinen Genehmigung für Ton- und Fernseh-Rundfunkempfänger" in der Bundesrepublik Deutschland betrieben werden. Beachten Sie aber bitte, daß aufgrund dieser Allgemeinen Genehmigung nur Sendungen des Rundfunks empfangen werden dürfen*. Wer unbefugt andere Sendungen (z.B. des Polizeifunks, des Seefunks, der öffentlichen beweglichen Landfunkdienste) empfängt, verstößt gegen die Genehmigungsaufgaben und macht sich daher nach 15 Absatz 2a des Gesetzes über Fernmeldeanlagen strafbar.

Die Kennzeichnung mit der DBP-Prüfnummer bietet Ihnen die Gewähr, daß dieses Gerät keine anderen Fernmeldeanlagen einschließlich Funkanlagen stört. Die Zusatzbuchstaben S oder SK bei der DBP-Prüfnummer besagen außerdem, daß das Gerät gegen störende Beeinflussungen durch andere Funkanlagen (z.B. des Amateurfunks, des CB-Funks) weitgehend unempfindlich ist. Sollten ausnahmsweise trotzdem Störungen auftreten, so wenden Sie sich bitte an die örtlich zuständige Funkstörungsmeßstelle.

* Zum Empfang anderer Sendungen darf dieses Gerät nur mit Genehmigung der Deutschen Bundespost benutzt werden. Allgemein genehmigt ist zur Zeit der Empfang der Aussendungen von Amateurfunkstellen und der Normalfrequenz- und Zeitzeichensendungen.

Allgemeine Genehmigung für Ton- und Fernseh-Rundfunkempfänger

Die Allgemeine Ton- und Fernseh-Rundfunkgenehmigung vom 11. Dezember 1970 (veröffentlicht im Bundesanzeiger Nr. 234 vom 16. Dezember 1970) wird unter Bezug auf Abschnitt III der Genehmigung durch folgende Fassung der Allgemeinen Genehmigung für Ton- und Fernseh-Rundfunkempfänger gemäß den 1 und 2 des Gesetzes über Fernmeldeanlagen ersetzt.

Genehmigung für Ton- und Fernseh-Rundfunkempfänger

1. Die Errichtung und der Betrieb von Ton- und Fernseh-Rundfunkempfängern werden nach 1 und 2 des Gesetzes über Fernmeldeanlagen in der Fassung der Bekanntmachung vom 17.3.1977 (BGBl. I S. 459) allgemein genehmigt.
2. Ton- und Fernseh-Rundfunkempfänger im Sinne dieser Genehmigung sind Funkanlagen gemäß 1 Abs. 1 des Gesetzes über Fernmeldeanlagen, die ausschließlich die für Rundfunkempfänger zugelassenen Frequenzabstimmbereiche* aufweisen und zum Aufnehmen und gleichzeitigen Hör- und Sichtbarmachen von Ton- oder Fernseh-Rundfunksendungen bestimmt ist. Zum Empfänger gehören auch eingebaute oder mit ihm fest verbundene Antennen sowie bei Unterteilung in mehrere Geräte die funktionsmäßig zugehörigen Geräte.
Außer für den Empfang von Rundfunksendungen dürfen Ton- und Fernseh-Rundfunkempfänger nur mit besonderer Genehmigung der Deutschen Bundespost für andere Fernmeldezwecke zusätzlich benutzt werden. In die Empfänger eingebaute oder sonst mit ihm verbundene Zusatzgeräte (z.B. Ultraschallfernmeldeanlagen, Infrarotmeldeanlagen) werden von dieser Genehmigung nicht erfaßt (ausgenommen die Einrichtungen zum Empfang des Verkehrsfunks). Desgleichen sind andere technische Empfängereigenschaften, die über den eigentlichen Zweck eines Rundfunkempfängers hinausgehen (z.B. zum Empfang anderer Funkdienste, für die Wiedergabe im Rahmen von Textübertragungsverfahren), hierdurch nicht genehmigt. Hierfür gelten besondere Regelungen.

II.

Diese Genehmigung wird unter nachstehenden Auflagen erteilt:

1. Ton- und Fernseh-Rundfunkempfänger müssen den jeweils geltenden Technischen Vorschriften für Ton- und Fernseh-Rundfunkempfänger entsprechen. Eingebaute Zusatzgeräte müssen den für sie geltenden Bestimmungen und Technischen Vorschriften genügen.

Änderungen der Technischen Vorschriften, die im Amtsblatt des Bundesministers für das Post- und Fernmeldewesen veröffentlicht werden, muß bei schon errichteten und in Betrieb genommenen Ton- und Fernseh-Rundfunkempfängern nachgekommen werden, wenn durch den Betrieb dieser Rundfunkempfänger andere elektrische Anlagen gestört werden.

Serienmäßig hergestellte Ton- und Fernseh-Rundfunkempfänger müssen zum Nachweis dafür, daß sie den Technischen Vorschriften entsprechen, mit einer

*Siehe Technische Vorschriften für Ton- und Fernseh-Rundfunkempfänger, veröffentlicht im Amtsblatt des Bundesministers für das Post- und Fernmeldewesen.

**Für ausnahmsweise noch nicht gekennzeichnete, vor dem 1. Juli 1979 errichtete und in Betrieb genommene Ton-Rundfunkempfänger wird die Kennzeichnung nicht verlangt.

FTZ-Prüfnummer gekennzeichnet sein.** Die FTZ-Prüfnummer sagt über die elektrische und mechanische Sicherheit und die Einhaltung der Strahlenschutzbestimmungen nichts aus.

2. Ton- und Fernseh-Rundfunkempfänger dürfen an ortsfesten oder nichtortsfesten Rundfunk-Empfangsantennenanlagen, -Verteilanlagen oder Kabelfernsehanlagen betrieben und im Rahmen der Bestimmungen über private Drahtfernmeldeanlagen verbunden werden. Auf demselben Grundstück oder innerhalb eines Fahrzeuges dürfen Ton- und Fernseh-Rundfunkempfänger mit anderen Geräten oder sonstigen Gegenständen (z.B. Plattenspieler, Magnetaufzeichnungs- und -Wiedergabegeräten, Antennen) verbunden werden, sofern diese Geräte von der Deutschen Bundespost genehmigt sind oder keiner Genehmigung bedürfen.

3. Mit Ton- oder Fernseh-Rundfunkempfängern dürfen aufgrund dieser Genehmigung nur Sendungen des Rundfunks empfangen werden, also übertragene Tonsignale (Musik, Sprache) und Fernsehsignale (nur Bildinformationen). Andere Sendungen (z.B. des Polizeifunks, der öffentlichen beweglichen Landfunkdienste, Datenübertragungen) dürfen nicht aufgenommen werden; werden sie jedoch unbeabsichtigt empfangen, so dürfen sie weder aufgezeichnet noch anderen mitgeteilt noch für irgendwelche Zwecke ausgewertet werden. Das Vorhandensein solcher Sendungen darf auch nicht anderen zur Kenntnis gebracht werden.

4. Durch Ton- oder Fernseh-Rundfunkempfänger darf der Betrieb anderer elektrischer Anlagen nicht gestört werden.

5. Änderungen der Ton- oder Fernseh-Rundfunkempfänger, die die zulässigen Frequenzbestimmbereiche der Empfänger erweitern, gehen über den Umfang dieser Genehmigung hinaus und bedürfen vor ihrer Ausführung einer besonderen Genehmigung der Deutschen Bundespost.

Wer aufgrund dieser Genehmigung einen Ton- oder Fernseh-Rundfunkempfänger betreibt, hat bei einer Änderung der kennzeichnenden Merkmale von Ton- oder Fernseh-Rundfunksendern (insbesondere bei Änderung des Sendeverfahrens oder bei Frequenzwechsel) die ggf. notwendig werdenden Änderungen an dem Rundfunkempfänger auf seine Kosten vornehmen zu lassen.

6. Die Deutsche Bundespost ist berechtigt, Rundfunkempfänger und mit ihnen verbundene Geräte darauf zu prüfen, ob die Auflagen der Genehmigung und der Technischen Vorschriften eingehalten werden.

Den Beauftragten der Deutschen Bundespost ist das Betreten der Grundstücke oder Räume, in denen sich Ton- oder Fernseh-Rundfunkempfänger befinden, zu den verkehrsüblichen Zeiten zu gestatten. Befinden sich die Rundfunkempfänger oder mit ihnen verbundene Geräte nicht im Verfügungsbereich desjenigen, der die Empfänger betreibt, so hat er den Beauftragten der Deutschen Bundespost Zutritt zu diesen Teilen zu ermöglichen.

III.

Bei Funkstörungen, die nicht durch Mängel der Rundfunkempfänger oder mit ihnen verbundenen Geräte verursacht werden, können die Fernmeldeämter der Deutschen Bundespost zur Feststellung der Störung in Anspruch genommen werden.

IV.

1. Diese Genehmigung kann allgemein oder durch die örtlich zuständige Oberpostdirektion einem einzelnen Betreiber gegenüber für einen bestimmten Rundfunkempfänger widerrufen werden. Ein Widerruf ist insbesondere zulässig, wenn die unter Abschnitt II aufgeführten Auflagen nicht erfüllt werden.

Anstatt die Genehmigung zu widerrufen, kann die Deutsche Bundespost anordnen, daß bei einem Verstoß gegen eine Auflage ein Ton- oder Fernseh-Rundfunkempfänger außer Betrieb zu setzen ist und erst bei Einhaltung der Auflagen wieder betrieben werden darf.

Die Auflagen dieser Genehmigung können jederzeit ergänzt oder geändert werden.

2. Diese Genehmigung ersetzt die Allgemeine Ton- und Fernseh-Rundfunkgenehmigung vom 11. Dezember 1970, sie gilt ab 1 Juli 1979.

Bonn, den 14.5. 1979

Der Bundesminister für
das Post- und Fernmeldewesen
im Auftrag
Haist

LEISTUNGSMERKMALE

- * **Langlaufmodus** - durch Verwendung fortschrittlicher Technologie können Sie auf einer Kassette jetzt die zweifache Information speichern. D.h., daß Sie mit einer E-240-Kassette bis zu 8 Stunden aufnehmen können (E-180: 6 Stunden; E-60: 2 Stunden usw.).
- * **Infrarot-Fernbedienung mit LCD-Anzeige** - Sie können sämtliche Bandlauffunktionen (für beide Laufwerke) steuern, die Kanäle wechseln, sowie an- und ausschalten. Außerdem können Sie Programmierungen auf der Fernbedienung eingeben, in der LCD-Anzeige überprüfen und dann an den Videorecorder übermitteln.
- * **Timer** - Mit der eingebauten Zeitschaltuhr können Sie bis zu acht Sendungen zu verschiedenen Zeiten auf verschiedenen Kanälen bis zu einem Monat im voraus programmieren. Mit der täglichen Zeitschaltuhr können Sie täglich z.B. die Tagesnachrichten aufnehmen. Mit der wöchentlichen Zeitschaltuhr können Sie einmal wöchentlich aufnehmen.
- * **Kopieren von Band zu Band** - Sie haben die Möglichkeit, von einer Kassette auf die andere aufzunehmen. (Beachten Sie den "WICHTIGEN HINWEIS" auf dieser Seite). Synchrostart ermöglicht den gleichzeitigen Start beider Kassetten.
- * **Gleichzeitige Aufnahme und Wiedergabe** - Sie können zur gleichen Zeit ein Programm aufzeichnen und mit dem anderen Laufwerk eine Kassette abspielen.
- * **Gleichzeitige Aufnahme** - Sie können zur gleichen Zeit zwei Programme auf zwei Kassetten aufnehmen, oder das gleiche Programm auf zwei Kassetten aufnehmen.
- * **Gleichzeitige Wiedergabe** - Sie können zwei verschiedene Kassetten über zwei (oder drei Fernsehgeräte) abspielen.
- * **Wiedergabe über drei Fernsehgeräte** - Sie können eine Kassette gleichzeitig über bis zu drei Fernsehgeräte abspielen.
- * **Ununterbrochene Aufnahme/Wiedergabe** - Sie können auf zwei Kassetten ohne Unterbrechung aufnehmen oder von diesen abspielen lassen. Bei Verwendung von zwei E-240-Kassetten im LP-Modus stehen Ihnen so bis zu 16 Stunden ununterbrochene Aufnahme-/Wiedergabezeit zur Verfügung.
- * **Endlos-Aufnahme/Wiedergabe** - Sie können auf zwei Kassetten "endlos" aufnehmen oder von diesen abspielen lassen; bei Erreichen des Bandendes der einen Kassette spult sich diese automatisch zurück und die andere Kassette startet. Die Endlos-Aufnahme ist besonders gut zu Überwachungszwecken einsetzbar. Nicht mehr benötigtes Bandmaterial kann immer wieder neu überspielt werden. Die Endlos-Wiedergabe kann gut für Ausstellungen/Messen eingesetzt werden, wo Werbe- oder Demonstrationskassetten unbeaufsichtigt gezeigt werden sollen. (Sie können die Endlos-Funktion auch mit nur einer Kassette wählen.)
- * **Gleichzeitiger Timer- und manueller Betrieb** - Sie können ein Laufwerk mit dem Timer zur Aufnahme programmieren, das andere Laufwerk steht Ihnen dann immer noch zur manuellen Aufnahme oder Wiedergabe zur Verfügung. So können Sie z.B. die Aufnahme einer Sendung programmieren und während dieser Aufnahme über das andere Laufwerk eine Kassette abspielen.
- * **QTR (Sofortaufnahme)** - Durch Drücken nur einer Taste können Sie sofort für einen festgesetzten Zeitraum (bis zu 16 Stunden) aufnehmen.
- * **Zweistufiger Bildsuchlauf** - Sie können eine Kassette mit 3-facher Geschwindigkeit sowohl vorwärts als auch rückwärts "durchsuchen". Halten Sie die entsprechende Taste gedrückt, wird der Bildsuchlauf auf 5-fache Geschwindigkeit umgeschaltet.

WICHTIGER HINWEIS

Fernsehsendungen und bespielte Videobänder sind in aller Regel urheberrechtlich geschützt und dürfen nicht ohne Zustimmung des Inhabers der Urheberrechte kopiert werden; das Überspielen solcher Aufnahmen ohne Zustimmung des Urheberrechtsinhabers kann strafrechtliche und/oder zivilrechtliche Folgen haben.

Der Erwerb eines Amstrad Doppeldecker-Videorecorders beinhaltet keineswegs eine Einwilligung zum Überspielen urheberrechtlich geschützter Aufnahmen oder Teilen davon.

BESONDERE SICHERUNGEN

Einige Video-Film-Kassetten, die gekauft oder geliehen werden können, sind mit einem Kopierschutz versehen. Zusammen mit dem in diesem Videorecorder eingebauten besonderen Schaltkreis verhindert der Kopierschutz unerlaubtes Überspielen. Der Versuch, solche Aufnahmen zu überspielen, ist unzulässig und führt zu Beeinträchtigungen oder Störungen des Bildes.

VORSICHTSMASSNAHMEN

BETRIEBSBEDINGUNGEN

- 1 Öffnen Sie das Gehäuse nicht! Der VCR enthält keine Teile, die der Benutzer warten kann. Überlassen Sie jegliche Wartung ausgebildetem Wartungspersonal.
- 2 Die Schlitze und Öffnungen in der Verkleidung dienen der Belüftung. Zur Gewährleistung eines zuverlässigen Betriebes und zum Schutz des Gerätes vor Überhitzung dürfen diese Öffnungen nicht abgedeckt oder verschlossen werden. Betreiben Sie das Gerät nicht in abgeschlossenen Räumen wie z.B. Bücherschränken bzw. sorgen Sie für ausreichende Belüftung.
- 3 Stellen Sie das Gerät nicht in der Nähe von Heizkörpern oder anderen Wärmequellen auf.
- 4 Betreiben Sie das Gerät nicht in der Nähe von starken magnetischen Feldern.
- 5 Führen Sie keine Gegenstände irgendwelcher Art in die Schlitze in der Verkleidung ein: Sie können stromführende Teile berühren und so Feuer oder einen elektrischen Schlag verursachen.
- 6 Setzen Sie den VCR nicht Regen oder Feuchtigkeit aus.
- 7 Verschütten Sie keine Flüssigkeiten auf dem Gerät. Sollte dies dennoch passieren, ziehen Sie den Netzstecker und informieren Sie einen Wartungstechniker.
- 8 Benutzen Sie den VCR ausschließlich, wenn er sich in horizontaler (liegender) Stellung befindet.

FEUCHTIGKEITSWARNANZEIGE

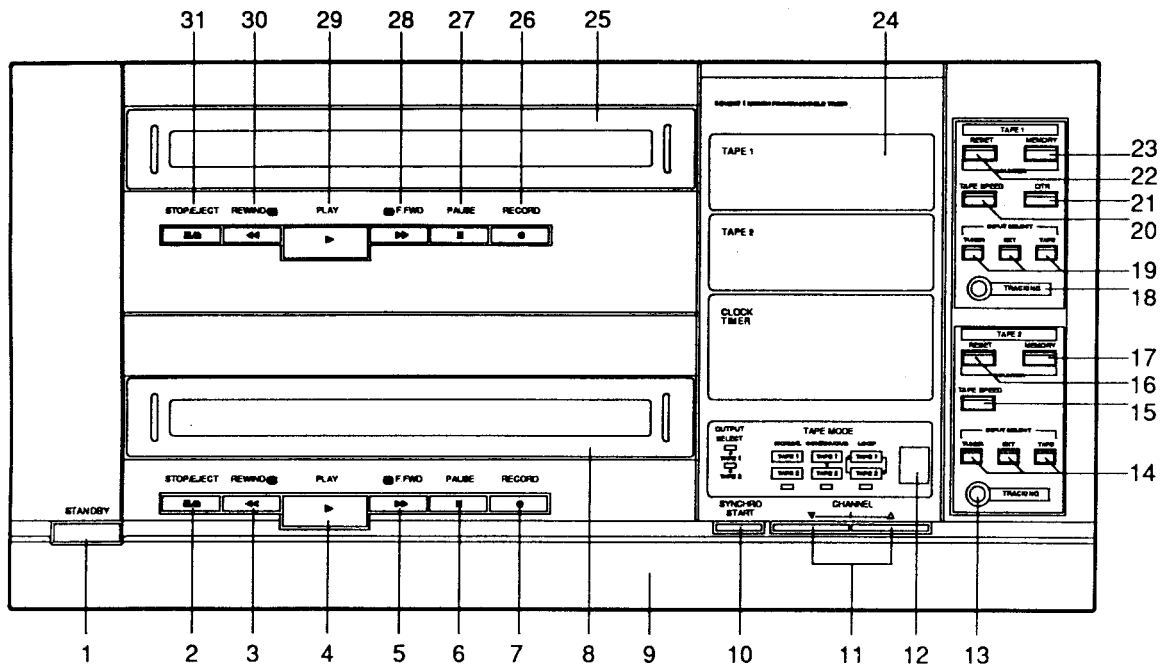
Dieser Videorecorder ist mit einem Sensor ausgestattet, der Feuchtigkeit im Gerät anzeigt. In diesem Fall wird der Buchstabe 'd' (für DEW = Tau) auf der Statusanzeige sichtbar. Während der Warnanzeige 'd' verhindert eine Sicherheitsvorkehrung den Betrieb des Gerätes, bis sich die Feuchtigkeit verflüchtigt hat. Feuchtigkeit kann durch Kondensation innerhalb des Gerätes entstehen, wenn es von Kälte in Wärme transportiert wird, wenn ein kalter Raum rasch aufgeheizt wird oder wenn hohe Luftfeuchtigkeit herrscht. Schalten Sie deshalb bei Auftreten des 'd' den VCR ein und lassen Sie das Gerät so mindestens 2 Stunden lang stehen, bis die Feuchtigkeit verdunstet ist.

Hinweis:

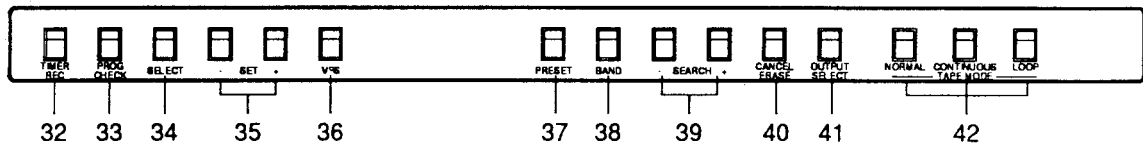
Unter Umständen erscheint die Feuchtigkeitsanzeige während der ersten Viertelstunde bei Feuchtigkeit im Gerät nicht (z.B. bei plötzlichem Wechsel der Raumtemperatur oder der Luftfeuchtigkeit). Legen Sie in solchen Fällen in der ersten halben Stunde keine Videokassette ein.

BEDIENELEMENTE UND FUNKTIONEN

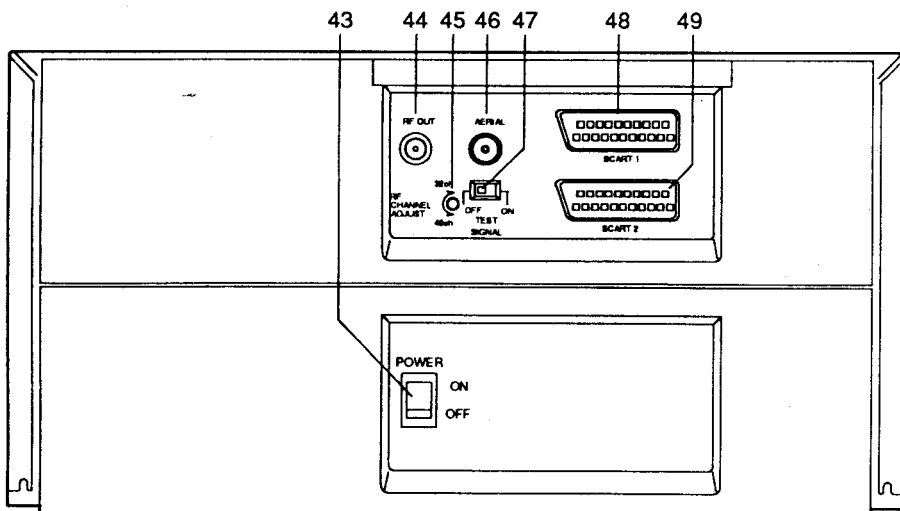
- VORDERANSICHT MIT BEDIENFELD (RECHTS) -



- ANSICHT DES UNTEREN BEDIENFELDS -



- RÜCKANSICHT -



- 1 **STANDBY-Taste** - Ein- und Ausschalten des Geräts.
- 2 **STOP/EJECT-Taste Band 2** - Zum Stoppen von Band 2. Ist das Band bereits gestoppt, wird es nach nochmaligem Druck ausgeworfen.
- 3 **REWIND-Taste Band 2** - Zurückspulen von Band 2. Wenn Sie diese Taste während der Wiedergabe drücken, wird in den Bildsuchlauf gewechselt. Durch Festhalten der Taste wird die Geschwindigkeit des Bildsuchlaufs gesteigert. Drücken Sie PLAY, um zurück zur Wiedergabe zu wechseln.
- 4 **PLAY-Taste Band 2** - Start der Wiedergabe von Band 2.
- 5 **F.FWD-Taste Band 2** - Vorspulen von Band 2. Wenn Sie diese Taste während der Wiedergabe drücken, wird in den Bildsuchlauf gewechselt. Durch Festhalten der Taste wird die Geschwindigkeit des Bildsuchlaufs gesteigert. Drücken Sie PLAY, um zurück zur Wiedergabe zu wechseln.
- 6 **PAUSE-Taste Band 2** - Zum vorübergehenden Anhalten der Wiedergabe/Aufnahme auf Band 2.
- 7 **RECORD-Taste Band 2** - Start der Aufnahme auf Band 2.
- 8 **Kassettenfach 2**: Legen Sie hier die Kassette Nr. 2 ein.
- 9 **Untere Bedienfeld-Abdeckung** - Öffnen Sie diese Klappe, um Einstellungen an Uhr, Timer, Empfangsteil und Bandmodus vorzunehmen.
- 10 **SYNCHROSTART-Taste** - Drücken Sie diese Taste, um das automatische synchrone Kopieren (von Band 2 auf Band 1) zu aktivieren. Erneuter Tastendruck startet den Vorgang.
- 11 **CHANNEL ▼ und ▲ Tasten** - Zur Kanalwahl bei manuell gesteuerter Aufnahme und Wiedergabe.
- 12 **Empfangsfenster für Fernbedienung** - Empfängt die Infrarot-Steuersignale der Fernbedienung.
- 13 **TRACKING-Regler Band 2** - Justieren zur Minimalisierung von Videostörungen (Linien oder Punkte auf dem Bildschirm). Steht normalerweise in Mittelposition.
- 14 **INPUT SELECT-Schalter Band 2** - Eingangswahl-Schalter zum Auswählen des Signals, das aufgenommen werden soll: TUNER, EXT (extern) oder Band (z.B. Band 1).
- 15 **TAPE SPEED-Taste Band 2** - Wählen Sie die gewünschte Aufnahme-Geschwindigkeit (Normalbetrieb (SP)/Langspielmodus (LP)) für Band 2.
- 16 **RESET-Taste Band 2** - Zurücksetzen des Bandzählwerks für Band 2 auf 0000.
- 17 **MEMORY-Taste Band 2** - Setzen des Zählerspeichers von Laufwerk 2 auf "Ein".
- 18 **TRACKING-Regler Band 1** - Justieren zur Minimalisierung von Videostörungen (Linien oder Punkte auf dem Bildschirm). Steht normalerweise in Mittelposition.
- 19 **INPUT SELECT-Schalter Band 1** - Eingangswahl-Schalter zum Auswählen des Signals, das aufgenommen werden soll: TUNER, EXT (extern) oder Band (z.B. Band 2).
- 20 **TAPE SPEED-Taste Band 1** - Wählen Sie die gewünschte Aufnahme-Geschwindigkeit (Normalbetrieb (SP)/Langspielmodus (LP)) für Band 1.
- 21 **QTR-Taste** - Aufnahmen mit QTR (Quick Timer Recording = Sofort-Aufnahme). Zweimaliges Drücken der Taste startet eine 30-minütige Aufnahme, dreimaliges Drücken eine einstündige Aufnahme, viermaliges Drücken eine anderthalb-stündige Aufnahme, und so weiter (bis 16 Stunden).
- 22 **RESET-Taste Band 1** - Zurücksetzen des Bandzählwerks für Band 1 auf 0000.
- 23 **MEMORY-Taste Band 1** - Setzen des Zählerspeichers von Laufwerk 1 auf "Ein".
- 24 **Statusanzeige** - Zeigt die aktuellen Einstellungen für Band 1 und 2, außerdem Zeit, Datum, Kanal, Bandzählwerk und Einstellungen der Zeitschaltuhr.
- 25 **Kassettenfach 1**: Legen Sie hier die Kassette Nr. 2 ein.
- 26 **RECORD-Taste Band 1** - Start der Aufnahme auf Band 1.
- 27 **PAUSE-Taste Band 1** - Zum vorübergehenden Anhalten der Wiedergabe/Aufnahme auf Band 1.
- 28 **F.FWD-Taste Band 1** - Vorspulen von Band 1. Drücken Sie diese Taste während der Wiedergabe, wird in den Bildsuchlauf gewechselt. Durch Festhalten der Taste wird die Geschwindigkeit des Bildsuchlaufs gesteigert. Drücken Sie PLAY, um zurück zur Wiedergabe zu wechseln.
- 29 **PLAY-Taste Band 1** - Start der Wiedergabe von Band 1.
- 30 **REWIND-Taste Band 1** - Zurückspulen von Band 1. Drücken Sie diese Taste während der Wiedergabe, wird in den Bildsuchlauf gewechselt. Durch Festhalten der Taste wird die Geschwindigkeit des Bildsuchlaufs gesteigert. Drücken Sie PLAY, um zurück zur Wiedergabe zu wechseln.
- 31 **STOP/EJECT-Taste Band 1** - Zum Stoppen von Band 1. Ist das Band bereits gestoppt, wird es nach nochmaligem Druck ausgeworfen.
- 32 **TIMER RECORD-Taste** - Aktiviert die Zeitschaltuhr (nach der Programmierung).

- 33 **PROG CHECK-Taste** - Drücken Sie diese Taste zu Anfang der Timerprogrammierung (oder um diese zu überprüfen).
- 34 **SELECT-Taste** - Drücken Sie diese Taste, um die Einstellung der Uhr und des Timers zu bestätigen.
- 35 **SET (+ und -)-Taste** - Zum Stellen der Uhr und des Timers.
- 36 **VPS-Taste** - Für Aufnahmen mit Zeitschaltuhr.
- 37 **PRESET-Taste** - Anwählen des Kanalspeicher-Modus.
- 38 **BAND-Taste** - Auswahl des Kanalbereichs (VL/VH/U).
- 39 **SEARCH-Tasten (+ und -)** - Auswählen des Fernsehkanals.
- 40 **CANCEL/ERASE-Taste** - Zum Löschen des eingestellten Kanals (bei Timerbetrieb zum Löschen der programmierten Sendung).
- 41 **OUTPUT SELECT-Taste** - Durch Drücken dieser Taste geben Sie an, ob Band 1 oder Band 2 an Ihren Fernseher übertragen werden soll.
- 42 **TAPE MODE-Tasten** - Mit diesen Tasten stellen Sie den Aufnahme-/Wiedergabemodus ein: NORMAL (Band 1 und 2 arbeiten unabhängig voneinander), CONTINUOUS (zuerst Band 1, dann Band 2, dann Stop) oder LOOP (Band 1, Band 2, Band 1, Band 2 usw.).
- 43 **Netzschalter** - Schaltet die Stromversorgung des VCR an und aus.
- 44 **RF OUT-Buchse** - Verbindung zum Antennenanschluß des Fernsehgerätes.
- 45 **RF CHANNEL ADJUST** - wurde vor der Auslieferung auf UHF-Ausgangskanal 37 voreingestellt. Nur bei Störungen aufgrund zusätzlicher Übertragungen auf diesem Kanal zu justieren.
- 46 **AERIAL-Buchse** - Verbindung zur VHF/UHF-Fernsehantenne.
- 47 **TEST SIGNAL-Schalter** - Überprüfen Sie, anhand eines S/W-Testbilds, ob der Videokanal Ihres Fernsehgerätes richtig eingestellt ist.
- 48 **SCART 1-Buchse** - Schließen Sie an diese Buchse eine Videokamera, einen Satelliten-Empfänger oder Ihr Fernsehgerät (falls es auch über eine solche Buchse verfügt) an. Über diese Buchse können Sie nur auf Laufwerk 1 zugreifen.
- 49 **SCART 2-Buchse** - Schließen Sie Ihr Fernsehgerät an diese Buchse an, können Sie sowohl auf Laufwerk 1 als auch auf Laufwerk 2 zugreifen. Schließen Sie an diese Buchse jedoch eine Videokamera oder einen Satelliten-Empfänger an, können Sie nur auf Band 2 aufnehmen.

VORBEREITUNGEN ZUR INBETRIEBNAHME

ANSCHLUSS DES NETZKABELS

Dieser VCR arbeitet mit 220 Volt, 50 Hz Wechselstrom.

ziehen Sie den Netzstecker aus der Steckdose, wenn das Gerät längere Zeit nicht benutzt wird.

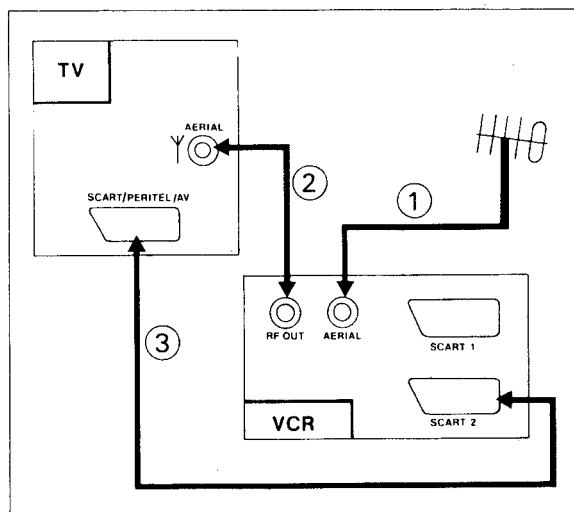
**WARNUNG: ENTFERNEN SIE KEINE ABDECKUNGEN -
GEFAHR DURCH ELEKTRISCHEN SCHLAG**

Versuchen Sie nicht, das Gehäuse zu öffnen! Der VCR enthält keine Teile, die der Benutzer warten kann. Überlassen Sie jegliche Wartung ausgebildeten Technikern.

ANSCHLUSS EINES FERNSEHGERÄTES

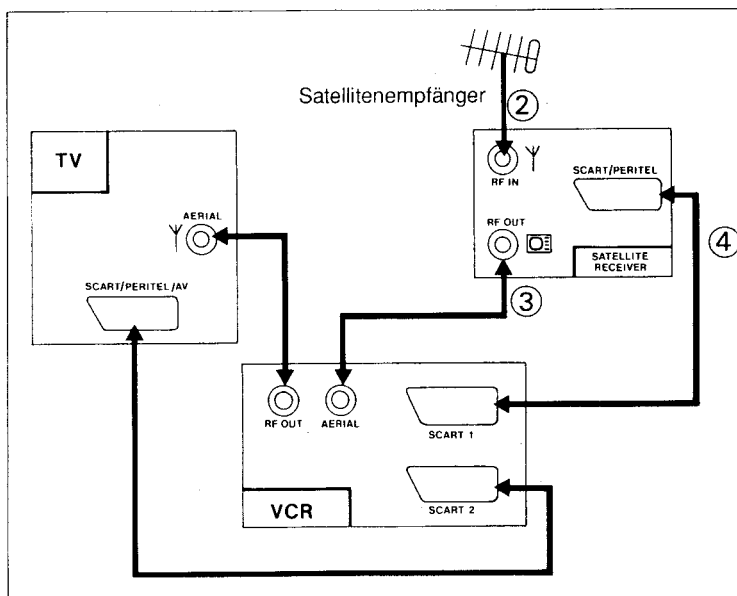
- 1 Schließen Sie das Antennenkabel an die AERIAL-Buchse des VCR an.
- 2 Verbinden Sie mit dem mitgelieferten Antennen-Kabel die RF OUT-Buchse des VCR mit der AERIAL-Buchse des Fernsehgerätes.
- 3 Verfügt Ihr Fernsehgerät über eine SCART/AV-Buchse, verbinden Sie diese mit einem 21-adrigen Scart-Kabel mit der SCART 2-Buchse des VCR.

Hinweis: In Gebieten mit schwachem Empfang ist es möglicherweise nötig, eine Hochleistungsantenne oder einen Signalverstärker zu verwenden.



ANSCHLUSS EINES SATELITENEMPFÄNGERS

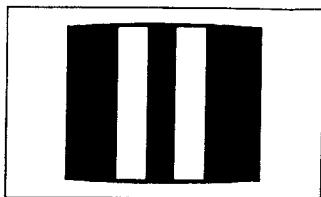
- 1 Schließen Sie Ihren VCR, wie oben beschrieben, an das Fernsehgerät an.
- 2 Verbinden Sie nun das Antennenkabel mit der RF IN-Buchse des Satellitenempfängers.
- 3 Verbinden Sie die RF OUT-Buchse des Satellitenempfängers mit der AERIAL-Buchse des VCR.
- 4 Verfügt Ihr Satellitenempfänger über einen SCART-Anschluß, verbinden Sie diesen mit einem 21-adrigen Scart-Kabel mit der SCART 1-Buchse des VCR.



EINSTELLEN DES VIDEOKANALS AM FERNSEHGERÄT

Nachdem Sie VCR und Fernsehgerät miteinander verbunden haben, müssen Sie an Ihrem Fernsehgerät den Kanal einstellen, auf dem das Videosignal empfangen werden soll:

- 1 Schließen Sie das Netzkabel an.
- 2 Stellen Sie den POWER-Schalter (an der Rückseite des VCR) auf ON. (Die Statusanzeige beginnt zu blinken und zeigt —:—)
- 3 Drücken Sie die STANDBY-Taste, um den VCR anzuschalten. (Die Betriebsanzeige er scheint auf der Statusanzeige.)
- 4 Stellen Sie den TEST SIGNAL-Schalter (an der Rückseite des VCR) auf ON.
- 5 Stellen Sie Ihr Fernsehgerät so auf den Videokanal (oder einen "Ausweichkanal") ein, daß das schwarz-weiß gestreifte Testbild klar auf dem Bildschirm erscheint.



(Sehen Sie im Zweifelsfall in der Bedienungsanleitung Ihres Fernsehgerätes nach.)

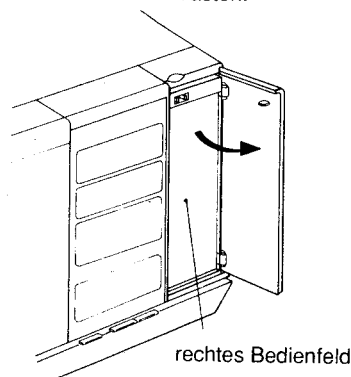
- 6 Stellen Sie den TEST SIGNAL-Schalter auf OFF.

HINWEIS: Sollte das Ausgangssignal des VCR (Kanal 36) durch einen angrenzenden Fernsehkanal oder durch das Ausgangssignal eines anderen Zusatzgerätes (wie z.B. Satellitenempfänger, Computermodulator o.ä.) gestört werden, müssen Sie RF CHANNEL ADJUST (auf der Rückseite des VCR) neu einstellen. Benutzen Sie dazu einen kleinen Schraubenzieher und verändern Sie die Einstellung um ca. Drehung. Wiederholen Sie nun die Schritte 4 bis 6. Fragen Sie im Zweifelsfall Ihren Händler.

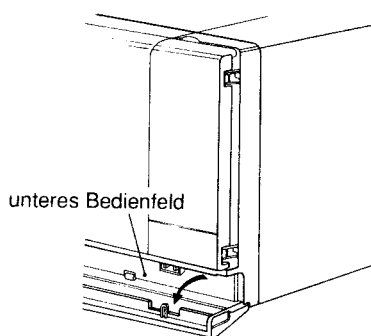
EINSTELLEN DES VCR-EMPFÄNGERS

- 1 Schalten Sie Ihr Fernsehgerät ein und stellen Sie es auf den Videokanal ein.

- 2 Drücken Sie die STANDBY-Taste, um den VCR einzuschalten. (Es erscheint in der Anzeige)
- 3 Vergewissern Sie sich, daß die Statusanzeige INPUT TUNER anzeigt. Ist dies nicht der Fall, öffnen Sie die Klappe des rechten Bedienfeldes und drücken Sie beide TUNER-Tasten.



- 4 Öffnen Sie die Klappe des unteren Bedienfeldes und drücken Sie PRESET.



(Die Statusanzeige zeigt P-1. Sie können nun Kanal 1 einstellen.)

- 5 Drücken Sie die Channel-Tasten ▼ oder ▲ zur Wahl des Kanals, den Sie einstellen wollen. (Beispiel: P-1 für ARD.) Betätigen sie die BAND-Taste, um den gewünschten Bereich zu wählen.
- 6 Drücken Sie Search (- oder +). Die Anzeige 'P' blinkt auf und der VCR sucht automatisch das Frequenzband auf bzw. abwärts nach dem ersten Sender ab. Wenn er einen Sender gefunden hat, stoppt er und zeigt das Sendebild. Suchen Sie einen anderen Sender, drücken Sie solange die SEARCH (- oder +)-Tasten, bis der gewünschte Sender erscheint. (In dem oberen Beispiel wäre das die ARD)

Wiederholen Sie die Schritte 5 und 6 für jeden Kanal, den Sie einstellen möchten.

- 7 Drücken Sie PRESET, um alle eingestellten Kanäle zu speichern.

FEINABSTIMMUNG

Sollte eine Feinabstimmung der Kanäle erforderlich sein, drücken Sie die SEARCH (- oder +)-Tasten solange, bis das Bild optimal eingestellt ist.

LÖSCHEN VOREINGESTELLTER KANÄLE AUF DEM VCR

- 1 Drücken Sie die Taste PRESET.
- 2 Drücken Sie die CHANNEL-Tasten ▼ oder ▲, um die Nummer des Kanals auszuwählen, den Sie löschen möchten.
- 3 Drücken Sie die CANCEL/ERASE-Taste, um den Kanal zu löschen.

Wiederholen Sie die Schritte 2 und 3 für jeden Kanal, den Sie löschen möchten.

- 4 Drücken Sie die Taste PRESET, um zur Ausgangsstellung zurückzukehren.

Ist ein Kanal gelöscht, erscheint er bei Verwendung der CHANNEL-Tasten nicht mehr auf der Statusanzeige. Sie sollten deshalb alle nicht belegten Kanäle löschen. Möchten Sie einen zuvor gelöschten Kanal wieder belegen, führen Sie einfach die Schritte 1 bis 7 auf Seite 10 durch.

VIDEOKASSETTEN

Der VCR arbeitet mit jeder Kassette, die die Kennzeichnung VHS trägt. Verwenden Sie nur qualitativ hochwertige Kassetten.

Beachten Sie folgende Vorsichtsmaßnahmen bei der Behandlung von Videokassetten:

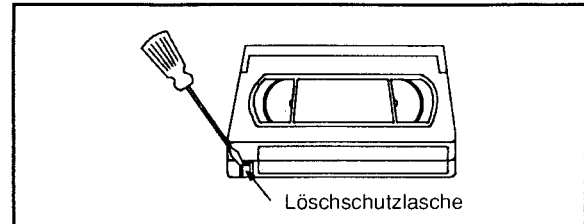
- * Vermeiden Sie Feuchtigkeit. Am Band kann sich beim Wechsel von einem kalten an einen warmen Ort Kondenswasser bilden. Das Abspielen einer feuchten Kassette beschädigt das Band und Ihren VCR. Warten Sie, bis die

Kassette sich auf Raumtemperatur erwärmt hat und die Feuchtigkeit verdunstet ist.

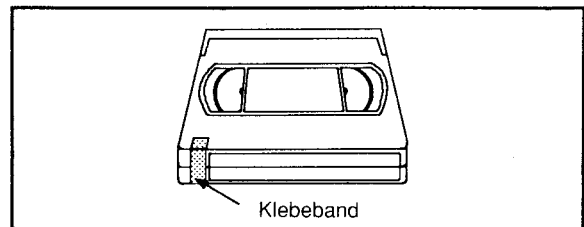
- * Meiden Sie starke Hitze, hohe Luftfeuchtigkeit und magnetische Felder.
- * Manipulieren Sie nicht am Kassettenmechanismus.
- * Berühren Sie das Band in der Kassette nicht.

SCHUTZ VOR UNBEABSICHTIGTEM LÖSCHEN

Versehentliche Löschung einer Kassette verhindern Sie, indem Sie die Löschschilder an der Rückkante der Kassette abbrechen.

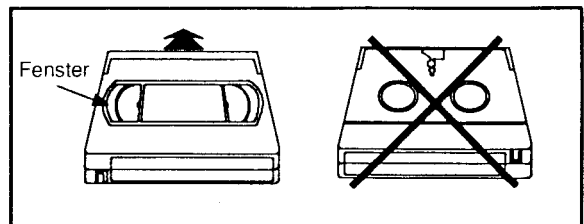


Möchten Sie die Kassette erneut bespielen, überkleben Sie das Loch mit Klebeband.



EINLEGEN EINER KASSETTE

Legen Sie die Kassette in der gezeigten Richtung ein:



Schieben Sie sie vorsichtig, aber zügig ein, bis der VCR sie selbstständig annimmt. Die Kassette-Ein-Anzeige erscheint, wenn eine Kassette eingelegt ist.



HERAUSNEHMEN EINER KASSETTE

Drücken Sie die STOP/EJECT-Taste.

Erst wenn sich die Kassette nicht mehr bewegt, nehmen Sie die Kassette aus dem VCR heraus und legen Sie sie in die Schutzhülle.

EINSTELLEN DER UHR AUF DIE RICHTIGE ZEIT

In untenstehendem Beispiel wird die Uhr auf 17.40 eingestellt; das Jahr ist 1991, das Datum der 14. Juli (Sonntag).

- 1 Schalten Sie den VCR mit STANDBY ein.
- 2 Öffnen Sie die Klappe des unteren Bedienfeldes und drücken Sie SELECT. In der Statusanzeige erscheint: TIME 12:00 und DATE 15.6. Die Stundenanzeige blinkt auf. Geben Sie die richtige Stunde ein.
- 3 Drücken Sie Set (- oder +), bis die korrekte Stundenangabe aufblinkt (Beispiel: 17) und drücken Sie dann SELECT. Die Minutenanzeige blinkt auf. Sie können nun die Minuten eingeben.
- 4 Drücken Sie Set (- oder +), bis die korrekte Minutenangabe aufblinkt (Beispiel: 40) und drücken Sie SELECT. Nun blinkt die Jahresanzeige auf. Sie können jetzt das richtige Jahr eingeben.

- 5 Drücken Sie Set (- oder +), bis die korrekte Jahresangabe aufblinkt (Beispiel: 1991). Drücken Sie nun SELECT. Die Monatsanzeige blinkt auf. Sie können nun den richtigen Monat einstellen.
- 6 Drücken Sie Set (- oder +), bis die korrekte Monatsangabe aufblinkt (Beispiel: 7). Drücken Sie SELECT. Die Tagesanzeige blinkt auf. Sie können nun den richtigen Tag eingeben.
- 7 Drücken Sie Set (- oder +), bis die korrekte Tagesangabe aufblinkt (Beispiel: 14). Drücken Sie ein letztes Mal SELECT, um die Uhr zu aktivieren.

HINWEISE:

- * Ihr VCR verfügt über einen eingebauten Kalender bis zum Jahr 2004. Die Wochentage werden automatisch dem eingestellten Datum angepaßt.
- * Wird bei eingeschaltetem VCR die Stromzufuhr unterbrochen, leuchtet —:— auf der Anzeige auf. In diesem Fall wiederholen Sie die Schritte 1 bis 7.
- * Erscheinen ungültige oder keine Zeichen auf der Statusanzeige, ziehen Sie kurz den Stecker, stecken Sie ihn wieder ein, und wiederholen Sie die Schritte 1 bis 7.

AUFNAHME

Die beiden Bandlaufwerke des VCR können auf die im folgenden beschriebenen Arten zum Aufnehmen benutzt werden:

AUFNEHMEN EINES PROGRAMMES AUF EINE KASSETTE

- (wie bei einem normalen VCR). Ein Programm kann sowohl eine Fernsehsendung als auch ein externes Signal (z.B. Satellitenempfänger oder Videokamera) sein. Verfahren Sie für solche (normalen) Aufnahmen nach Prozedur A (Seite 13).

AUFNEHMEN EINES PROGRAMMES GLEICHZEITIG AUF ZWEI KASSETTEN - verfahren Sie nach Prozedur A (Seite 13).

AUFNEHMEN VON ZWEI PROGRAMMEN AUF ZWEI KASSETTEN - verfahren Sie nach Prozedur A (Seite 13).

Beachten Sie jedoch, daß eines der beiden Programme extern sein muß (Satellitenempfänger oder SCART-Fernsehgerät)

AUFNEHMEN EINES PROGRAMMES OHNE UNTERBRECHUNG AUF ZWEI KASSETTEN - die zweite Kassette beginnt nach Ende der ersten automatisch mit der Aufnahme. Verfahren Sie nach Prozedur B (Seite 13).

ENDLOSAUFNAHME AUF ZWEI KASSETTEN - Bei Ende der ersten Kassette beginnt die Aufnahme auf die zweite Kassette. Die erste Kassette wird zurückgespult und bei Ende der zweiten Kassette wird wieder auf die erste Kassette aufgenommen und so weiter. Verfahren Sie nach Prozedur B (Seite 13).

ENDLOSAUFNAHME AUF EINE KASSETTE - Bei Bandende wird die Kassette zurückgespult und die Aufnahme wird automatisch neu gestartet. Verfahren Sie nach Prozedur B (Seite 13).

AUFNAHME VON EINER KASSETTE AUF EINE ANDERE - Verfahren Sie nach Prozedur C (Seite 14).

TIMERAUFNAHMEN AUF EINE KASSETTE - verfahren Sie nach Prozedur D (Seite 14)

TIMERAUFNAHMEN OHNE UNTERBRECHUNG AUF ZWEI KASSETTEN - die zweite Kassette beginnt automatisch bei Ende der ersten. Verfahren Sie nach Prozedur D (Seite 15)

GLEICHZEITIGE TIMERAUFNAHME UND MANUELLE AUFNAHME - Aufnahmen von timergesteuerten Programmen auf einem Bandlaufwerk, während auf dem anderen Laufwerk manuelle Aufnahmen durchgeführt werden. Verfahren Sie nach Prozedur D (Seite 15).

SOFORTAUFNAHME - sofortiges Aufnehmen eines Programmes. Die Dauer der Aufnahme kann festgesetzt werden. Verfahren Sie nach Prozedur E (Seite 17).

PROZEDUR A - NORMALE AUFNAHME

- 1 Vergewissern Sie sich, daß **TIMER** auf der Statusanzeige nicht angezeigt wird bzw. blinkt. Sollte dies der Fall sein, schalten Sie durch Drücken der Taste **TIMER REC** den Timer aus.
- 2 Schalten Sie den VCR mit **STANDBY** an.
- 3 Legen Sie eine Kassette in Laufwerk 1 ein. (Die Löschschutzlasche zu Verhindern des Löschsens muß intakt sein.)

OPTION: Beabsichtigen Sie, auf zwei Kassetten aufzunehmen, legen Sie auch in Laufwerk 2 eine Kassette ein. **HINWEIS:** Wird eines der Programme von einem Satellitenempfänger aufgenommen, sollte dazu das Laufwerk 1 verwendet werden. Bei Aufnahmen über den **SCART 2-Anschluß** (z.B. Scart-Fernsehgerät), sollte Laufwerk 2 verwendet werden.

- 4 Im unteren Bedienfeld befinden sich die Tasten: **TAPE MODE: NORMAL; CONTINUOUS UND LOOP**. (Die jeweils gewählte Betriebsart wird unterhalb der Statusanzeige angezeigt.) Im rechten Bedienfeld sind in der oberen Reihe die Tasten für Laufwerk 1 und in der unteren Reihe die Tasten für Laufwerk 2 angeordnet. Drücken Sie in der oberen Reihe die **INPUT SELECT**-Taste, um die entsprechenden Einstellungen für Laufwerk 1 vorzunehmen.
- 5 Möchten Sie eine Fernsehsendung aufnehmen, drücken Sie **TUNER**. Auf der Statusanzeige erscheint **INPUT TUNER**.
Möchten Sie von einer externen Quelle (Satellitenempfänger oder Videokamera) aufnehmen, drücken Sie **EXT**. Auf der Statusanzeige erscheint **INPUT EXT**.

OPTION: Beabsichtigen Sie, auch mit Laufwerk 2 aufzunehmen, drücken Sie die entsprechende **INPUT SELECT**-Taste in der unteren Tastenreihe.

- 6 Wählen Sie nun mit **TAPE SPEED** die gewünschte Bandgeschwindigkeit für Laufwerk 1. (Auf der Statusanzeige erscheint, je nach Wahl, **LP** oder **SP**.)

OPTION: Beabsichtigen Sie, auch mit Laufwerk 2 aufzunehmen, wählen Sie auch für dieses Laufwerk mit **TAPE SPEED** die Bandgeschwindigkeit aus.

- 7 Möchten Sie eine Fernsehsendung aufnehmen, wählen Sie mit den **CHANNEL**-Tasten **▼** oder **▲** den entsprechenden Kanal. Der gewählte Kanal wird auf der Statusanzeige angezeigt.
- 8 Drücken Sie **RECORD** (für Laufwerk 1). Die Aufnahme beginnt und **REC** wird auf der Statusanzeige angezeigt.

OPTION: Möchten Sie auch mit Laufwerk 2 aufnehmen, drücken Sie **RECORD** in der unteren Tastenreihe.

- 9 Nach Ende der Aufnahme drücken Sie **STOP/EJECT** für das entsprechende Laufwerk. (Bei Erreichen des Bandendes wird das Band automatisch gestoppt und zurückgespult.)

Möchten Sie einen Teil einer Sendung nicht aufnehmen, drücken Sie **PAUSE**. Drücken Sie **RECORD**, um die Aufnahme weiterlaufen zu lassen.

HINWEIS - Um Schäden am Band zu vermeiden, lassen Sie den VCR nicht länger als 5 Minuten in der Pausestellung. (Nach 5 Minuten beginnt der VCR automatisch wieder mit der Aufnahme.)

PROZEDUR B - ENDLOSAUFNAHMEN

- 1 Vergewissern Sie sich, daß **TIMER** auf der Statusanzeige nicht angezeigt wird bzw. blinkt. Sollte dies der Fall sein, schalten Sie durch Drücken der Taste **TIMER REC** den Timer aus.
- 2 Schalten Sie den VCR mit **STANDBY** an.
- 3 Legen Sie eine Kassette in Laufwerk 1 ein. (Die Löschschutzlasche zum Verhindern des Löschsens muß intakt sein.)

OPTION: Beabsichtigen Sie, auf zwei Kassetten aufzunehmen, legen Sie auch in Laufwerk 2 eine Kassette ein.

- 4 Im unteren Bedienfeld befinden sich die Tasten: TAPE MODE: NORMAL; CONTINUOUS UND LOOP. Drücken Sie CONTINUOUS. (Die jeweils gewählte Betriebsart wird unterhalb der Statusanzeige angezeigt.)

OPTION: Möchten Sie eine Endlos-Aufnahme machen (also eine Aufnahme, bei der "endlos" aufgenommen, zurückgespult, wieder aufgenommen und zurückgespult, usw. wird), drücken Sie LOOP.

- 5 Im rechten Bedienfeld sind in der oberen Reihe die Tasten für Laufwerk 1 und in der unteren Reihe die Tasten für Laufwerk 2 angeordnet. Drücken Sie in der oberen Reihe die INPUT SELECT-Taste, um die entsprechenden Einstellungen für Laufwerk 1 vorzunehmen.

Möchten Sie eine Fernsehsendung aufnehmen, drücken Sie TUNER. Auf der Statusanzeige erscheint INPUT TUNER.

Möchten Sie von einer externen Quelle (Satelitenempfänger oder Videokamera) aufnehmen, drücken Sie EXT. In der Statusanzeige erscheint INPUT EXT.

OPTION: Beabsichtigen Sie, auch mit Laufwerk 2 aufzunehmen, drücken Sie die entsprechende INPUT SELECT-Taste in der unteren Tastenreihe.

- 6 Wählen Sie nun mit TAPE SPEED die gewünschte Bandgeschwindigkeit für Laufwerk 1. (Auf der Statusanzeige erscheint je nach Wahl, LP oder SP.)
- 7 Möchten Sie eine Fernsehsendung aufnehmen, wählen Sie mit den CHANNEL-Tasten ▼ oder ▲ und den entsprechenden Kanal. Der gewählte Kanal wird in der Statusanzeige angezeigt.
- 8 Drücken Sie RECORD (für Laufwerk 1). Die Aufnahme beginnt und REC wird auf der Statusanzeige angezeigt. Wurde eine Kassette im Laufwerk 2 eingelegt, startet diese, sobald das Ende von Kassette 1 erreicht ist.

OPTION: Wurde LOOP gewählt und zwei Kassetten eingelegt, beginnt die Aufnahme auf Laufwerk 2 nach Ende von Band 1. Band 1 wird zurückgespult und beginnt mit der Aufnahme, sobald das Bandende von Kassette 2 erreicht ist. Dieser Vorgang wiederholt sich unbegrenzt.

OPTION: Wurde LOOP gewählt und nur eine Kassette eingelegt (in Laufwerk 1), wird die Kassette bei Erreichen des Bandendes automatisch zurückgespult und dann wieder neu aufgenommen. Dieser Vorgang wiederholt sich unbegrenzt.

HINWEIS - CONTINUOUS- oder LOOP-Aufnahmen werden immer durch Drücken der RECORD-Taste für Laufwerk 1 gestartet, selbst dann, wenn sich die einzige Kassette in Laufwerk 2 befindet.

- 9 Nach Ende der Aufnahme drücken Sie STOP/EJECT an dem gerade benutzten Laufwerk. (Dieses wird durch ein rotes REC-Zeichen in der Statusanzeige markiert.) Bei Erreichen des Bandendes wird das Band automatisch gestoppt und zurückgespult.

Beachten Sie, daß die PAUSE-Taste während des CONTINUOUS- oder LOOP-Betriebs außer Funktion ist.

HINWEIS - Während LOOP- oder CONTINUOUS-Betrieb können Sie die gerade nicht benutzte Kassette herausnehmen und wechseln, ohne die Aufnahme zu unterbrechen. Das Vor- und Zurückspulen ist jedoch nur nach Ende der Aufnahme möglich.

PROZEDUR C - KOPIEREN VON BAND ZU BAND

HINWEIS - Beachten Sie den "WICHTIGER HINWEIS" auf Seite 4 dieser Anleitung.

- 1 Vergewissern Sie sich, daß TIMER auf der Statusanzeige nicht aktiviert ist bzw. nicht blinkt. Sollte dies der Fall sein, schalten Sie durch Drücken der Taste TIMER REC den Timer aus.
- 2 Schalten Sie den VCR mit STANDBY an.
- 3 Legen Sie die Kassette, auf die Sie aufzeichnen möchten, in Laufwerk 1 ein. (Die Löschschutzlasche muß intakt sein.)
- 4 Legen Sie die Kassette, von der Sie kopieren möchten in Laufwerk 2
- 5 Im rechten Bedienfeld sind in der oberen Reihe die Tasten für Laufwerk 1 und in der unteren Reihe die Tasten für Laufwerk 2 angeordnet. Drücken Sie in der oberen Reihe die TAPE SPEED-Taste, um die entsprechende Bandgeschwindigkeit für Laufwerk 1 einzustellen. (Je nach gewählter Geschwindigkeit erscheint SP oder LP in der Statusanzeige.)
- 6 Drücken Sie SYNCHRO START. Laufwerk 1 wird dadurch auf Aufnahmebereitschaft geschaltet und REC und INPUT TAPE werden in der Statusanzeige angezeigt. Gleichzeitig wird Laufwerk 2 auf Wiedergabebereitschaft geschaltet und PLAY erscheint in der Statusanzeige.

HINWEIS - Befindet sich eine der Kassetten am Bandende, oder fehlt bei Band 1 die Löschsutzlasche, wird die entsprechende Kassette ausgeworfen, sobald SYNCHRO START gedrückt wird. Fehlt eine der Kassetten, erscheint ERROR in der Anzeige.

7 Drücken Sie erneut SYNCHRO START, um den Kopiervorgang zu starten.

HINWEIS - Vergehen nach dem ersten Drücken von SYNCHRO START mehr als 5 Minuten, werden beide Laufwerke automatisch gestoppt, um die Bänder zu schonen.

8 Nach Beendigung des Kopiervorgangs drücken Sie STOP/EJECT für das entsprechende Laufwerk. (Bei Erreichen des Bandendes einer Kassette, werden beide Bänder automatisch gestoppt und zurückgespult. Die Kassette, die zuerst beendet war, wird ausgeworfen.)

Beachten Sie beim Aktivieren von SYNCHRO START, daß der VCR kurze Zeit zum Reagieren benötigt. Vermeiden Sie deshalb, SYNCHRO START kurz hintereinander zu betätigen, sondern warten Sie einige Sekunden zwischen den Eingaben.

PAUSE ist während SYNCHRO START außer Funktion.

OPTION: Außer mit SYNCHRO START haben Sie die Möglichkeit, Kassetten manuell zu kopieren. (Von Laufwerk 1 auf Laufwerk 2 und umgekehrt.) Wählen Sie hierzu den Bandmodus: NORMAL und stellen Sie für das aufnehmende Laufwerk TAPE (bei INPUT SELECT) ein. Die Aufnahme läuft dann nicht synchron, d.h. Sie können mit PAUSE Teile des Originals auslassen.

PROZEDUR D - TIMERAUFNAHMEN

Sie können bis zu 7 verschiedene Sendungen zu verschiedenen Zeiten für ein Jahr im voraus programmieren, wobei Sie Kanal und Aufnahmegeschwindigkeit für jede einzelne Aufnahme frei bestimmen können. Es besteht die Möglichkeit, bis zu sieben wöchentlich wiederkehrende und eine monatlich wiederkehrende Sendungen automatisch aufzuzeichnen. Jede der 7 Sendungen kann täglich zur gleichen Zeit, vom gleichen Kanal und mit der gleichen Geschwindigkeit aufgezeichnet werden. Darüber hinaus kann einmal jede Woche ein Programm zur gleichen Zeit, vom gleichen Kanal und mit der gleichen Geschwindigkeit aufgezeichnet werden.

HINWEIS - Vor der Programmierung des Timers müssen Uhr und Empfangsteil des VCR eingestellt sein.

Im folgenden Beispiel soll Sendung 1 am Dienstag, den 16. Juli, von 7.30 bis 8.50 Uhr im Long Play-Modus (LP) vom ZDF

aufgezeichnet werden. (Aktuelles Datum: Sonntag, 14. Juli, 1991. Aktuelle Zeit: 17.40)

1 Vergewissern Sie sich, daß TIMER in der Statusanzeige nicht aktiv ist bzw. blinkt. Sollte dies der Fall sein, schalten Sie den Timer durch Drücken von TIMER REC aus.

2 Schalten Sie den VCR mit STANDBY an.

3 Legen Sie eine Kassette in Laufwerk 1. (Die Löschsutzlasche muß intakt sein.)

OPTION: Beabsichtigen Sie, auf zwei Kassetten aufzunehmen, legen Sie auch eine Kassette in Laufwerk 2.

4 Im unteren Bedienfeld befinden sich die Tasten TAPE MODE: NORMAL, CONTINUOUS und LOOP. Drücken Sie NORMAL. (Der gewählte Modus wird unter der Statusanzeige angezeigt.)

OPTION: Beabsichtigen Sie, ohne Unterbrechung auf zwei Kassetten aufzunehmen, drücken Sie CONTINUOUS.

5 Im rechten Bedienfeld sind in der oberen Reihe die Tasten für Laufwerk 1 und in der unteren Reihe die Tasten für Laufwerk 2 angeordnet. Wählen Sie mit der Taste INPUT SELECT (im rechten Bedienfeld) den gewünschten Eingang:

Möchten Sie eine Fernsehsendung aufzeichnen, drücken Sie TUNER. Die Auswahl wird mit INPUT TUNER in der Statusanzeige bestätigt.

Möchten Sie über den externen Eingang aufzeichnen (Satelitenempfänger oder Videokamera), drücken Sie EXT. Die Auswahl wird mit INPUT EXT in der Statusanzeige bestätigt.

OPTION: Beabsichtigen Sie, zusätzlich zur timergesteuerten Aufnahme auf Laufwerk 1, manuell auf Laufwerk 2 aufnehmen, wählen Sie auch für Laufwerk 2 den geeigneten Eingang. (SCART 2 ist in diesem Fall der externe Eingang.)

6 Die sechs Tasten auf der linken Seite des unteren Bedienfelds dienen zum Programmieren des Timers.

Drücken Sie PROG CHECK. Die Statusanzeige wechselt von Datum, Zeit und Kanal zur Anzeige der freien Programmplätze. (Im Beispiel: 1 2 3 4 5 6 7 WEEKLY).

7 Drücken Sie so oft SET (+ oder -), bis der gewünschte Programmplatz blinkt. Drücken Sie nun SELECT. (In der Statusanzeige erscheint START mit der Aufforderung, die Startzeit einzugeben.

- 8 Drücken Sie so oft SET (+ oder -), bis der gewünschte Tag blinkt.(Beispiel: TUE 16) Drücken Sie nun SELECT.
- 9 Drücken Sie so oft SET (+ oder -), bis die gewünschte Anfangszeit blinkt.(Beispiel: 7) Drücken Sie nun SELECT.
- 10 Drücken Sie so oft SET (+ oder -), bis die gewünschte Anfangsminute blinkt. (Beispiel: 30) Drücken Sie nun SELECT. (In der Statusanzeige erscheint END mit der Aufforderung, die Zeit für die Beendigung der Aufnahme einzugeben.
- 11 Drücken Sie so oft SET (+ oder -), bis die gewünschte Zeit (Stunden) für die Beendigung der Aufnahme blinkt.(Beispiel: 8) Drücken Sie nun SELECT.
- 12 Drücken Sie so oft SET (+ oder -), bis die gewünschte Zeit für die Beendigung der Aufnahme (Minuten) blinkt.(Beispiel: 50) Drücken Sie nun SELECT.
- 13 Drücken Sie so oft SET (+ oder -), bis der gewünschte Kanal blinkt. (Beispiel: CH 2) Drücken sie nun SELECT. (Wurde zuvor externer Eingang gewählt, erscheint E an Stelle der Nummer des Kanals in der Statusanzeige.)
- 14 Drücken Sie so oft SET (+ oder -), bis die gewünschte Bandgeschwindigkeit blinkt. (Beispiel: LP) Drücken Sie nun SELECT.
- 15 Wenn gewünscht, können Sie jetzt durch Drücken der VPS-Taste VPS aktivieren.

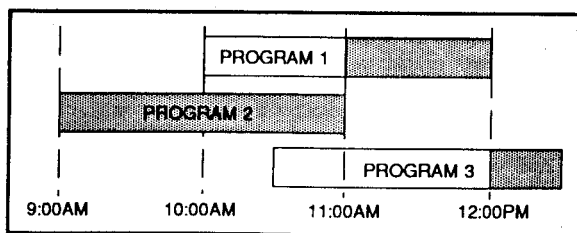
Programmplatz 1 ist nun belegt. Zur Programmierung weiterer Programme wiederholen Sie die Schritte 7 bis 15.

- 16 Drücken Sie nun TIMER REC, um die timergesteuerte Aufnahme zu aktivieren. In der Statusanzeige erscheint TIMER. Zur programmierten Zeit schaltet sich der VCR an, zeichnet das Programm auf und schaltet sich dann wieder ab.

HINWEISE

- * Erscheint TIMER nach Drücken von TIMER REC nicht in der Statusanzeige, ist Ihnen beim Programmieren ein Fehler unterlaufen. Wiederholen Sie die Schritte 1 bis 16.
- * Blinkt TIMER in der Statusanzeige, haben Sie vergessen, eine Kassette einzulegen. (Blinkt ERROR auf, haben Sie vergessen, eine oder beide Kassetten für eine ununterbrochene Aufnahme einzulegen.)

- * Haben Sie eine Kassette ohne Löschschutzlasche eingelegt (oder die Kassette befindet sich am Bandende), wird diese ausgeworfen, sobald Sie TIMER REC drücken.
- * Bei Erreichen des Bandendes vor Ende der Aufnahmezeit, wird die Kassette automatisch ausgeworfen.
- * Drücken Sie TIMER REC, um eine timergesteuerte Aufnahme zu beenden. (TIMER erscheint nicht in der Statusanzeige)
- * Nach Ende einer timergesteuerten Aufnahme, blinkt TIMER in der Statusanzeige.
- * Wurde der Eingang TAPE gewählt, bevor die timergesteuerte Aufnahme aktiviert wurde, wählt der VCR automatisch TUNER.
- * Wenn sich programmierte Sendungen zeitlich überlappen, hat die zuerst beginnende Sendung den Vorrang. Haben Sie beispielsweise die Zeitschaltuhr wie in untenstehender Grafik eingestellt, wird die Aufnahme wie folgt durchgeführt:



9:00 bis 11:00 Uhr- Programm 2

11:00 bis 12:00 Uhr - Programm 1

ab 12:00 Uhr - Programm 3

TÄGLICH WIEDERKEHRENDE SENDUNGEN

Aufnahmen einer Sendung, die täglich zur selben Zeit gesendet wird: Führen Sie die Schritte 1 bis 7 der Prozedur D durch, dann Schritt 8 wie folgt:

- 8 Drücken sie einmal SET - . Alle Tage (SUN MON TUE WED THU FRI SAT) blinken gleichzeitig auf. Drücken Sie SELECT.

Fahren Sie mit Schritt 9 fort.

WÖCHENTLICHE AUFNAHME

Aufnahmen eines Programms, das jede Woche zur gleichen Zeit, auf dem gleichen Kanal gesendet wird:

- 7 Drücken Sie zweimal SET (- oder +), WEEKLY blinkt in der Statusanzeige. Drücken Sie SELECT.

Fahren Sie mit Schritt 8 fort.

ÜBERPRÜFEN DER PROGRAMMIERUNG DES TIMERS

Nachdem Sie den Timer eingestellt und TIMER REC gedrückt haben, können Sie den Programmplatz, die Start-/Endezeiten, Kanal und Bandgeschwindigkeit wie folgt überprüfen:

PRÜFEN EINES TIMERPROGRAMMES

- 1 Drücken Sie PROG CHECK.
- 2 Drücken Sie SET (+ oder -), bis der zu überprüfende Programmplatz blinkt. (Beispiel: 1) Die Timereinstellungen werden in der Statusanzeige angezeigt.

Zur Überprüfung weiterer Programmplätze wiederholen Sie Schritt 2.

- 3 Durch Drücken von PROG CHECK kehren Sie wieder zum Ausgangsstand zurück.

LÖSCHEN EINES TIMERPROGRAMMES

- 1 Vergewissern Sie sich, daß TIMER in der Statusanzeige nicht aktiv ist bzw. blinkt. Sollte dies der Fall sein, schalten Sie den Timer durch Drücken von TIMER REC aus.
- 2 Schalten Sie den VCR mit STANDBY an.
- 3 Drücken Sie PROG CHECK.
- 4 Drücken Sie so oft SET (+ oder -), bis der zu löschende Programmplatz blinkt. (Beispiel: 1) Drücken Sie nun CANCEL/ERASE.

Programm 1 ist jetzt gelöscht. Zum Löschen weiterer Programme wiederholen Sie Schritt 4.

- 5 Durch Drücken von PROG CHECK kehren Sie wieder zum Ausgangsstand zurück.

TIMERGESTEUERTE AUFNAHMEN UND ZUSÄTZLICHE AUFNAHMEN

Wenn Sie eine timergesteuerte Aufnahme für Laufwerk 1 programmiert haben, steht Ihnen Laufwerk 2 noch für manuelle Aufnahmen zur Verfügung. (Sie müssen jedoch bei der Programmierung den Bandmodus NORMAL gewählt haben.)

Wurde eine Timeraufnahme programmiert, die jedoch noch nicht gestartet ist, können Sie mit den CHANNEL -Tasten ▼ oder ▲ den Kanal für die manuelle Aufnahme wählen. Sobald die Aufnahme gestartet ist, ist der Kanal auf den programmierten Kanal festgelegt. Das bedeutet, daß wenn Sie z.B. ein Programm auf Kanal 1 programmiert haben, Sie vor

Beginn der Aufnahme ein Programm von einem anderen Kanal (z.B.: Kanal 2) aufzeichnen können.

Überschneiden sich timergesteuerte und manuelle Aufnahme (auf verschiedenen Kanälen), stoppt die manuelle Aufnahme automatisch, sobald die Timeraufnahme beginnt. Haben Sie jedoch eine VPS-Aufnahme gewählt, können Sie während der 32-stündigen VPS-Programmdauer keine manuelle Aufnahme durchführen.

Falls sich beide Programme (das timergesteuerte und das manuell gestartete) auf dem selben Kanal befinden, wird die Aufnahme, auch über die ursprünglich programmierte Zeit zur Beendigung der Aufnahme hinaus, fortgesetzt.

Ähnlich verhält es sich bei einer Aufnahme über einen externen (SCART 2) Eingang. Diese läuft auch nach Ende der Timeraufnahme weiter. (Auch wenn die Timeraufnahme über den externen Eingang (SCART 1) läuft.)

TIMERGESTEUERTE AUFNAHME UND WIEDERGABE

Haben Sie eine Timeraufnahme (Laufwerk 1) programmiert, können Sie zusätzlich Laufwerk 2 zur Wiedergabe benutzen. (Sie müssen während der Programmierung der Aufnahme Bandmodus NORMAL gewählt haben.)

Für weitere Einzelheiten beachten Sie Prozedur H (Seite 20).

PROZEDUR E - QTR (Quick Timer RECORDING = SOFORTAUFNAHME)

Diese Einrichtung ermöglicht es Ihnen, eine Sendung ohne Programmierung der Aufnahme, aufzunehmen.

- 1 Vergewissern Sie sich, daß TIMER in der Statusanzeige nicht aktiv ist oder blinkt. Sollte dies der Fall sein, schalten Sie den Timer durch Drücken von TIMER REC aus.
- 2 Drücken Sie STANDBY, um den VCR einzuschalten und legen Sie eine Kassette in Laufwerk 1 ein.

OPTION: Beabsichtigen Sie, auf zwei Kassetten aufzunehmen, legen Sie auch in Laufwerk 2 eine Kassette ein.

- 3 Wählen Sie durch Drücken einer der TAPE MODE-Tasten: NORMAL, CONTINUOUS oder LOOP.
- 4 Wählen Sie durch Drücken der INPUT SELECT-Tasten TUNER oder EXT (für Laufwerk 1) den gewünschten Eingang.
- 5 Wählen Sie nun mit einer der TAPE SPEED-Tasten SP oder LP (je nach gewünschter Bandgeschwindigkeit).

- 6 Möchten Sie eine Fernsehsendung aufzeichnen, wählen Sie mit den CHANNEL -Tasten ▼ oder ▲ den gewünschten Kanal.
- 7 Durch einmaliges Drücken von QTR wird in den Sofortaufnahmemodus geschaltet. Sie können in Intervallen von 30 Minuten bis zu einer Länge von 4 Stunden aufnehmen (d.h. 30 Minuten, 1 Stunde, 1 Stunde 30 Minuten, 2 Stunden usw.). Drücken Sie QTR so oft, bis die gewünschte Aufnahmedauer erreicht ist.

Wurde ein beweisträchtiges Ereignis aufgezeichnet, entnehmen Sie die Kassette und stellen Sie diese als Beweismittel sicher.

Durch Verwendung des Timers zusammen mit der Möglichkeit der Endlosaufnahme kann diese Form der Überwachung vollkommen automatisiert werden, d.h. die Überwachung beginnt und endet zu festgelegten Zeiten (z.B. Geschäftszeiten).

Endlos-Aufnahmen sind auch in Verbindung mit QTR möglich.

HINWEISE

- * QTR blinkt in der Statusanzeige, wenn Sie keine Kassette in Laufwerk 1 eingelegt haben.
- * Haben Sie eine Kassette eingelegt, deren Band sich am Ende befindet (oder deren Löschschild nicht mehr intakt ist), wird diese ausgeworfen, sobald Sie QTR drücken.
- * Wird das Bandende vor Ende der Aufnahmezeit erreicht, wird die Kassette automatisch ausgeworfen.
- * Drücken Sie STOP/EJECT (für das jeweils aktuelle Laufwerk, das durch REC in der Statusanzeige angezeigt wird), um QTR zu beenden.
- * QTR stoppt automatisch, wenn das gewählte Aufnahmeintervall abgelaufen ist. (Der timer steht auf 0:00).
- * PAUSE ist während des QTR-Betriebs nicht aktiv.

EINSATZ DES VCR ZUR ÜBERWACHUNG/SICHERUNG

Durch Anschluß einer Videokamera an den VCR und Einstellen des LOOP-Modus verfügen Sie über die Möglichkeit, ununterbrochen aufzuzeichnen (z.B.: zu Überwachungszwecken). Nicht benötigtes Bandmaterial kann immer wieder von neuem bespielt werden.

Endlosaufnahmen sind zwar auch mit nur einer Kassette möglich, es wird jedoch empfohlen, zwei Kassetten zu verwenden, da dann auch während des Zurückspulens der einen auf die andere Kassette aufgezeichnet wird.

Möchten Sie den VCR so einsetzen, schließen Sie die Videokamera an die SCART 1-Buchse an und stellen Sie den Eingangswahlschalter (INPUT SELECT) von Laufwerk 1 auf EXT.

WIEDERGABE

Die beiden Bandlaufwerke des VCR können auf die im folgenden beschriebenen Arten zur Wiedergabe benutzt werden:

WIEDERGABE EINER KASSETTE - (wie ein "normaler" VCR). Gehen Sie nach Prozedur F vor (diese Seite).

WIEDERGABE VON ZWEI KASSETTEN ÜBER EIN FERNSEHGERÄT - bei der Ausgabe an das Fernsehgerät kann zwischen den zwei Kassetten gewählt werden. Gehen Sie nach Prozedur F vor (diese Seite).

WIEDERGABE VON ZWEI KASSETTEN ÜBER ZWEI FERNSEHGERÄTE - zwei verschiedene Kassetten können über zwei verschiedene Fernsehgeräte zur gleichen Zeit abgespielt werden. Gehen Sie nach Prozedur F vor (diese Seite).

WIEDERGABE VON EINER KASSETTE ÜBER DREI FERNSEHGERÄTE - gehen Sie nach Prozedur F vor (diese Seite).

UNUNTERBROCHENE WIEDERGABE VON ZWEI KASSETTEN - nach Ende der ersten Kassette wird automatisch die zweite Kassette abgespielt. Gehen Sie nach Prozedur G vor (Seite 20).

ENDLOS WIEDERGABE VON ZWEI KASSETTEN - nach Ende der ersten Kassette wird automatisch die zweite Kassette abgespielt. Die erste Kassette wird zurückgespult. Bei Ende der zweiten Kassette wird die erste Kassette erneut abgespielt, usw. Gehen Sie nach Prozedur G vor (Seite 20).

WIEDERGABE EINER ENDLOSKASSETTE - die Kassette wird am Bandende zurückgespult und erneut abgespielt. Gehen Sie nach Prozedur G vor (Seite 20).

GLEICHZEITIGE AUFNAHME UND WIEDERGABE - es wird auf eine Kassette aufgenommen, während die andere abgespielt wird. Gehen Sie nach Prozedur H vor (Seite 21).

PROZEDUR F - NORMALE WIEDERGABE

- 1 Schalten Sie Ihr Fernsehgerät an und wählen Sie den Videokanal.
- 2 Vergewissern Sie sich, daß TIMER in der Statusanzeige nicht aktiv ist bzw. blinkt. Sollte dies der Fall sein, schalten Sie TIMER mit TIMER REC aus.
- 3 Schalten Sie mit STANDBY den VCR an.
- 4 Legen Sie eine Kassette in Laufwerk 1 ein.

OPTION: Beabsichtigen Sie, zwei Kassetten abzuspielen, legen Sie auch in Laufwerk 2 eine Kassette ein.

- 5 Wählen Sie den gewünschten TAPE MODE : NORMAL, CONTINUOUS, oder LOOP (im unteren Bedienfeld). Drücken Sie NORMAL. Ihre Wahl wird unterhalb der Statusanzeige angezeigt.
- 6 Starten Sie die Wiedergabe durch Drücken von PLAY (für Laufwerk 1). In der Statusanzeige erscheint PLAY. Die richtige Geschwindigkeit wird während der Wiedergabe automatisch eingestellt.

OPTION: Zur Wiedergabe der zweiten Kassette drücken Sie PLAY (für Laufwerk 2). Haben Sie nur ein Fernsehgerät an den VCR angeschlossen, wählen Sie mit der Taste OUTPUT SELECT (im unteren Bedienfeld) das abzuspielende Laufwerk. Das entsprechende Laufwerk wird unterhalb der Statusanzeige angezeigt.

OPTION: Zur gleichzeitigen Wiedergabe von zwei Kassetten über zwei Fernsehgeräte, verbinden Sie das zweite Fernsehgerät mit der SCART 1-Buchse an der Rückseite des VCR. Der OUTPUT SELECT-Schalter sollte auf TAPE 2 stehen.

OPTION: Zur Wiedergabe einer Kassette (in Laufwerk 1) über drei Fernsehgeräte, verbinden Sie diese mit den Buchsen SCART 1, SCART 2 und RF OUT, die sich an der Rückseite des VCR befinden. Der OUTPUT SELECT-Schalter sollte auf TAPE 1 stehen.

- 7 Nach Ende der Wiedergabe drücken Sie für das jeweilige Laufwerk STOP/EJECT. Ist das Bandende vorher erreicht, wird die Kassette automatisch gestoppt und zurückgespult.

BILDSUCHLAUF

Während der Wiedergabe können Sie mit höherer Geschwindigkeit vorwärts und rückwärts "suchen". Starten Sie die Wiedergabe mit PLAY und drücken Sie dann REWIND oder F.FWD., je nach gewünschter Suchrichtung. Um noch schneller zu suchen, halten Sie die Tasten gedrückt.

WICHTIGER HINWEIS

Während Bildsuchlauf und Wiedergabe/Pause erscheinen Störlinien auf dem Bildschirm. Dies ist jedoch kein Fehler Ihres VCR, sondern bei VCRs mit LP-Modus unvermeidbar.

Wurde das Band im LP-Modus aufgenommen, ist die Bildwiedergabe während Bildsuchlauf und Pause nur in schwarzweiß möglich.

WIEDERGABE/PAUSE

Drücken Sie PAUSE (für das gewünschte Laufwerk), um die Pausefunktion während der Wiedergabe zu aktivieren. Drücken Sie PLAY, um wieder zur Wiedergabe zu wechseln.

HINWEIS: Um Schäden am Band zu vermeiden, sollten Sie die Pausefunktion nicht länger als 5 Minuten aktiviert lassen. Der VCR schaltet sich selbstständig nach 5 Minuten aus.

Um die Störstreifen zu "verschieben" und somit eine klarere Wiedergabe zu erreichen, drücken Sie einige Male PAUSE.

TRACKING/SPURLAGENKORREKTUR

Auf dem Bild können Störlinien erscheinen, wenn Sie vorbespielte (oder nicht mit Ihrem VCR aufgenommene) Kassetten abspielen. Dies kann auch der Fall sein, wenn Sie eine in Laufwerk 1 aufgenommene Kassette in Laufwerk 2 abspielen. Justieren Sie in diesem Fall den TRACKING-Regler (im rechten Bedienfeld) durch langsames Drehen nach rechts oder links, bis die Störlinien verschwinden. Stellen Sie den TRACKING-Regler nach Abspielen der betreffenden Kassette wieder auf die mittlere Position.

PROZEDUR G - ENDLOSWIEDERGABE UND WIEDERGABE OHNE UNTERBRECHUNGEN

- 1 Schalten Sie das Fernsehgerät ein und wählen Sie den Videokanal.

- 2 Vergewissern Sie sich, daß TIMER in der Statusanzeige nicht aktiv ist bzw. blinkt. Sollte dies der Fall sein, schalten Sie TIMER mit TIMER REC aus.

- 3 Schalten Sie mit STANDBY den VCR an.

- 4 Legen Sie eine Kassette in Laufwerk 1 ein.

OPTION: Beabsichtigen Sie, zwei Kassetten wiederzugeben, legen Sie auch in Laufwerk 2 eine Kassette ein.

- 5 Wählen Sie den TAPE MODE : CONTINUOUS (im unteren Bedienfeld). Ihre Wahl wird unterhalb der Statusanzeige angezeigt.

OPTION: Möchten Sie, daß die Kassette(n) bei Bandende zurückgespult und erneut wiedergegeben werden, drücken Sie LOOP.

- 6 Starten Sie die Wiedergabe durch Drücken von PLAY (für Laufwerk 1). In der Statusanzeige erscheint PLAY. Die richtige Geschwindigkeit wird während der Wiedergabe automatisch eingestellt. Wurde auch in Laufwerk 2 eine Kassette eingelegt, wird diese automatisch abgespielt, sobald das Bandende von Kassette 1 erreicht ist.

OPTION: Wurde LOOP gewählt und zwei Kassetten eingelegt, beginnt die Wiedergabe von Kassette 2, sobald das Bandende von Kassette 1 erreicht ist. Kassette 1 wird zurückgespult und bei Erreichen des Bandendes von Kassette 2 erneut abgespielt. Dieser Vorgang wiederholt sich unbegrenzt.

OPTION: Wurde LOOP gewählt und nur eine Kassette eingelegt (Laufwerk 1 oder 2), wird die Kassette am Bandende zurückgespult und erneut wiedergegeben. Dieser Vorgang wiederholt sich unbegrenzt.

HINWEIS - Wiedergabe im CONTINUOUS- oder LOOP-Modus wird immer durch Drücken der PLAY-Taste für Laufwerk 1 gestartet (auch wenn die einzige Kassette sich in Laufwerk 2 befindet).

- 7 Nach Ende der Wiedergabe drücken Sie für das jeweilige Laufwerk (durch Anzeige von PLAY in der Statusanzeige erkenntlich) STOP/EJECT.

Die Funktionen PAUSE und PICTURE SEARCH (Bildsuchlauf) sind während des Betriebs im LOOP- oder CONTINUOUS-Modus nicht verfügbar.

HINWEIS - Während des LOOP- oder CONTINUOUS-Betriebs können Sie die Kassette in dem gerade nicht in Betrieb befindlichen Laufwerk wechseln, ohne die Wiedergabe zu beeinträchtigen. Das Vor- und Zurückspulen ist jedoch erst nach Ende der Wiedergabe möglich.

PROZEDUR H - GLEICHZEITIGE AUFNAHME UND WIEDERGABE

- 1 Stellen Sie den VCR für eine Aufnahme auf Laufwerk 1 ein. (Die Aufnahme kann manuell, timergesteuert oder eine Sofortaufnahme (QTR) sein.) Gehen Sie hierzu nach den Prozeduren A, D oder E vor (auf den Seiten 13-18).
- 2 Schalten Sie das Fernsehgerät an und stellen Sie den Videokanal ein.
- 3 Schalten Sie den VCR an und legen Sie eine Kassette in Laufwerk 2 ein.
- 4 Wählen Sie den Bandmodus NORMAL.
- 5 Drücken Sie PLAY für Laufwerk 2. Die Wiedergabe beginnt.

Möchten Sie während der Wiedergabe die Aufnahme überwachen, schalten Sie mit OUTPUT SELECT (im unteren Bedienfeld) zwischen Laufwerk 1 und 2 hin und her. Das jeweils aktuelle Laufwerk wird unterhalb der Statusanzeige angezeigt. Die Verwendung von Bildsuchlauf und Pause-Funktion für Laufwerk 2 ist möglich. (Beachten Sie hierzu "WICHTIGER HINWEIS" auf Seite 20.)

- 6 Nach Ende der Wiedergabe drücken Sie STOP/EJECT für Laufwerk 2.

EINSATZ ZU DEMONSTRATIONS- ZWECKEN

Wenn Sie zwei Kassetten einlegen und den VCR auf LOOP-(Endlos) Wiedergabe stellen, können Sie den VCR zur endlosen Wiedergabe von Werbe-/Demonstrationsfilmen einsetzen. Diese Funktion ist besonders auf Ausstellungen oder Messen sehr nützlich.

Auch wenn Endlosbetrieb mit nur einer Kassette möglich ist, so ist der Einsatz von zwei Kassetten vorzuziehen, da dann ständig von einer Kassette wiedergegeben wird, auch wenn die andere zurückgespult wird.

Wollen Sie den VCR entsprechend einsetzen, ist es empfehlenswert, daß Sie INPUT SELECT für Laufwerk 1 auf EXT stellen.

BANDZÄHLWERKE

Der VCR verfügt für jedes Laufwerk über ein 4-stelliges, elektronisches Bandzählwerk.

Die Bandzählwerke registrieren den Bandlauf der Kassetten. Durch Zurückstellen des Bandzählwerkes auf 0000 können Sie Indexmarkierungen vornehmen, die dann später zum leichteren Wiederauffinden bestimmter Bandstellen dienen. Darüber hinaus verfügt jedes Bandzählwerk über eine Speicherfunktion, die das Band automatisch stoppt, sobald 0000 während des Vor- oder Zurückspulens erreicht wird.

Das Bandzählwerk und die Speicherfunktion können so eingesetzt werden, daß das Band zum Anfang einer Aufnahme spult, um diese dann abspielen zu können.

- 1 Drücken Sie die RESET-Taste (im rechten Bedienfeld) für das jeweils benutzte Laufwerk. (Es erscheint COUNT 0000 in der Statusanzeige).
- 2 Schalten Sie nun die Speicherfunktion durch Drücken der MEMORY-Taste ein. (In der Statusanzeige erscheint MEMO.)

Nehmen Sie nun ganz normal auf. Wenn Sie dann nach Ende der Aufnahme das Band zurückspulen, stoppt es automatisch bei 0000.

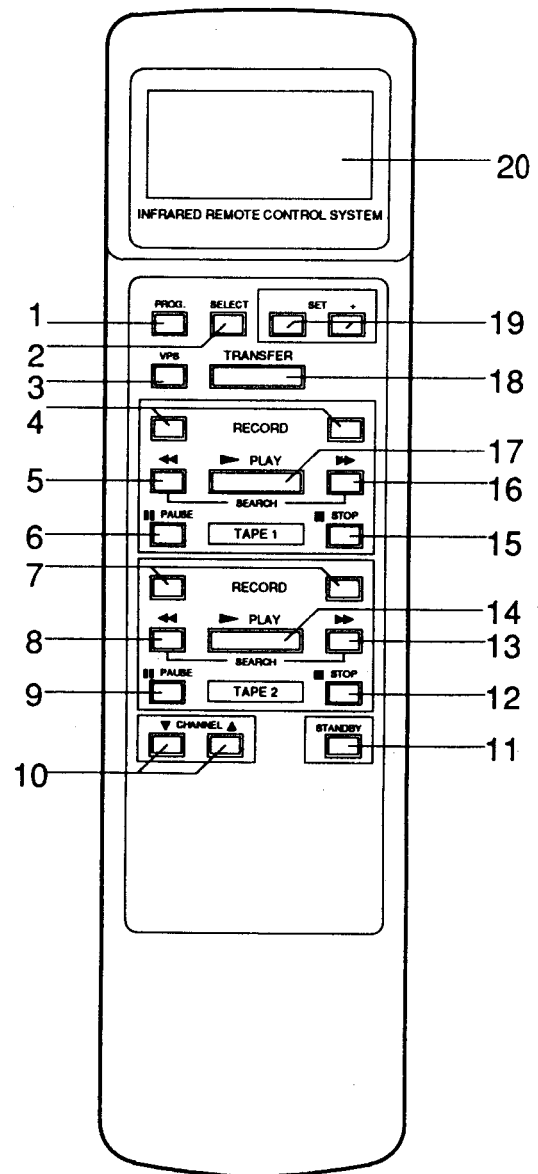
Zum Ausschalten der Speicherfunktion drücken Sie MEMORY ein zweites Mal.

HINWEIS - Die Speicherfunktion steht nur im NORMAL-Modus zur Verfügung, nicht aber im CONTINUOUS- und LOOP-Modus.

BENUTZUNG DER FERNBEDIENUNG

Sie können mit der Fernbedienung die Bandlauffunktionen beider Laufwerke Ihres VCR steuern. Die Tasten auf der Fernbedienung haben dieselben Funktionen wie die auf dem VCR.

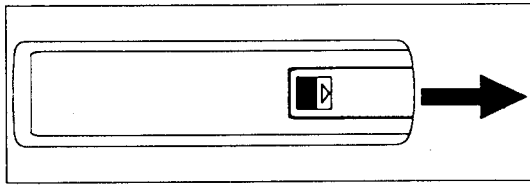
- 1 **PROG.-Taste** - Drücken Sie diese Taste, um mit der Timerprogrammierung zu beginnen.
- 2 **SELECT-Taste** - Drücken Sie diese Taste, um die Einstellungen des Timers zu bestätigen.
- 3 **VPS-Taste** - Drücken Sie diese Taste, um VPS zu aktivieren.
- 4 **RECORD-Tasten Laufwerk 1** - Drücken Sie beide Tasten, um die Aufnahme auf Band 1 zu starten.
- 5 **REWIND-Taste Band 1** - Drücken Sie diese Taste, um Band 1 zurückzuspulen.
- 6 **PAUSE-Taste Band 1** - Drücken Sie diese Taste, um die Wiedergabe/Aufnahme vorübergehend anzuhalten.
- 7 **RECORD-Tasten Laufwerk 2** - Drücken Sie beide Tasten, um die Aufnahme auf Band 2 zu starten.
- 8 **REWIND-Taste Band 2** - Drücken Sie diese Taste, um Band 2 zurückzuspulen.
- 9 **PAUSE-Taste Band 2** - Drücken Sie diese Taste, um die Wiedergabe/Aufnahme vorübergehend anzuhalten.
- 10 **CHANNEL \updownarrow -Tasten** - Drücken Sie diese Tasten, um die Kanäle zur manuellen Aufnahme oder zur Wiedergabe von Fernsehprogrammen auszuwählen.
- 11 **STANDBY-Taste** - Drücken Sie diese Taste, um den VCR an- und auszuschalten.
- 12 **STOP-Taste Band 2** - Drücken Sie diese Taste, um Band 2 anzuhalten.
- 13 **F.FWD-Taste Band 2** - Drücken Sie diese Taste, um Band 2 anzuhalten. Wenn Sie diese Taste während der Wiedergabe drücken, wird auf Bildsuchlauf umgeschaltet. Bei Festhalten der Taste wird auf höhere Suchgeschwindigkeit umgeschaltet. Drücken Sie die PLAY-Taste, um zur normalen Wiedergabe zurückzukehren.
- 14 **PLAY-Taste Band 2** - Drücken Sie diese Taste, um die Wiedergabe von Laufwerk 2 zu starten.
- 15 **STOP-Taste Band 1** - Drücken Sie diese Taste, um Band 1 anzuhalten.
- 16 **F.FWD-Taste Band 1** - Drücken Sie diese Taste, um Band 1 vorzuspulen. Wenn Sie diese Taste während der Wiedergabe drücken, wird auf Bildsuchlauf umgeschaltet. Bei Festhalten der Taste wird auf höhere Suchgeschwindigkeit umgeschaltet. Drücken Sie die PLAY-Taste, um zur normalen Wiedergabe zurückzukehren.



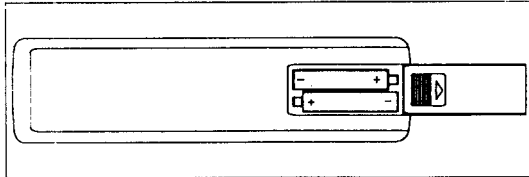
- 17 **PLAY-Taste Band 1** - Drücken Sie diese Taste, um die Wiedergabe von Laufwerk 1 zu starten.
- 18 **TRANSFER-Taste** - Drücken Sie diese Taste, um die Programmierung an den VCR zu übermitteln.
- 19 **SET-Taste** - Drücken Sie diese Taste, um den Timer einzustellen.
- 20 **LCD-Anzeige** - zeigt die Einstellungen des Timers.

EINLEGEN DER BATTERIEN

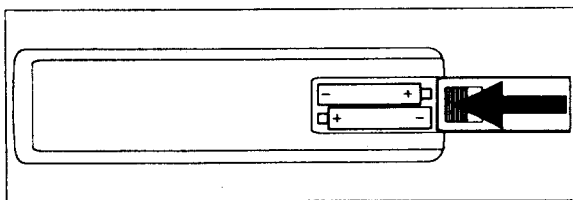
- 1 Schieben Sie die Abdeckung des Batteriefachs in Pfeilrichtung.



- 2 Legen Sie die Batterien in das Batteriefach ein. (Typennummer und Richtung sind im Fach angegeben.)



- 3 Bringen Sie die Abdeckung wieder an.



AUFNEHMEN MIT AUTOMATISCHER ZEITSCHALTUHR PER FERNBEDIENUNG

Die automatische Zeitschaltuhr kann über die Fernbedienung programmiert werden; Sie können die von Ihnen eingegebenen Informationen in den Speicher des VCR übertragen, indem Sie die Taste TRANSFER drücken.

Sie können diesen VCR so programmieren, daß er in den folgenden 14 Tagen bis zu sieben Sendungen zu sieben verschiedenen Zeitpunkten aufnimmt. Jede dieser Sendungen kann auf einem anderen Kanal gesendet werden wobei eine beliebige Anzahl der Programme jeden Tag zur gleichen Zeit vom gleichen Kanal aufgezeichnet werden kann. Darüber hinaus kann eine Sendung wöchentlich zu selben Zeit aufgenommen werden.

HINWEISE

- * Uhrzeit und Datum des VCR müssen vor der Programmierung des Timers korrekt eingestellt sein.
- * Sie müssen die Fernbedienung nicht während des Programmierens auf den Sensor des VCR gerichtet halten,

sondern lediglich für die Übertragung der eingegebenen Informationen.

- * Folgendes sollten Sie beim Programmieren mit der Fernbedienung immer beachten: Wenn Sie länger als 1 Minute keine Taste auf der Fernbedienung drücken, schaltet sie selbsttätig den eingebauten Speicher ab, um die Batterien zu schonen. Eventuell eingegebene Informationen werden gelöscht. Vermeiden Sie lange Pausen zwischen den Eingaben.
- * Bevor Sie die TRANSFER-Taste drücken, muß der VCR gestoppt sein..

In untenstehendem Beispiel wird die Fernbedienung so programmiert, daß eine Sendung auf Kanal 4 auf Programmplatz 1 aufgenommen wird. Die Sendung beginnt am Dienstag, um 21:35 und endet um 23:05.


Es soll im LP-Modus aufgenommen werden.

- 1 Drücken Sie PROG auf der Fernbedienung. Alle Programmplätze (1 2 3 4 5 6 7 und WEEKLY) blinken in der Anzeige der Fernbedienung auf.
- 2 Wählen Sie nun durch wiederholtes Drücken von SET einen Programmplatz aus (Beispiel: 1) und drücken Sie dann SELECT.
- 3 Wählen Sie nun durch wiederholtes Drücken von SET (+ oder -) den Tag aus. (Beispiel: TUE) HINWEIS: Möchten Sie am Dienstag nächster Woche aufnehmen, müssen Sie SET so lange drücken, bis 2ND TUE in der Anzeige erscheint. Ist der richtige Tag eingestellt, drücken Sie SELECT.
- 4 Drücken Sie SET, bis die START-Zeit (Stunden) blinkt (Beispiel: 21) und drücken Sie dann SELECT.
- 5 Drücken Sie SET, bis die START-Zeit (Minuten) blinkt (Beispiel: 35) und drücken Sie dann SELECT.
- 6 Drücken Sie SET, bis die Zeit für die Beendigung der Aufnahme (Stunden) blinkt (Beispiel: 23) und drücken Sie dann SELECT.
- 7 Drücken Sie SET, bis die Zeit für die Beendigung der Aufnahme (Minuten) blinkt (Beispiel: 05) und drücken Sie dann SELECT.
- 8 Drücken Sie SET (+ oder -), bis der gewünschte Fernsehkanal blinkt (Beispiel: CH4) und drücken Sie dann SELECT.

HINWEIS - Auch wenn Sie eine timergesteuerte Aufnahme über einen externen Eingang (z.B. Satellitenempfänger) machen wollen, sollten Sie während des Programmierens einen gültigen Kanal wählen.

- 9 Drücken Sie SET (+ oder -), bis die gewünschte Bandgeschwindigkeit blinkt (Beispiel: LP) und drücken Sie SELECT.

10 Wenn Sie keine VPS-Kontrolle wünschen, stellen Sie die VPS-Taste auf Aus. Drücken Sie SELECT.

11 Das Symbol  blinkt auf. Sie können nun die Programmierungsdaten an den VCR übermitteln. Halten Sie die Fernbedienung auf den Sensor des VCR gerichtet und drücken Sie die TRANSFER-Taste. Ihre eingegebenen Informationen werden in den Speicher des VCR übertragen und der VCR schaltet in den Timermodus. (In der Statusanzeige erscheint TIMER.)

(Haben Sie vorher eine Fernsehsendung über den Video-Kanal gesehen, bleibt der Bildschirm nun leer. Wählen Sie einen anderen Fernsehkanal.)

Blinkt ERROR in der Statusanzeige nach Drücken von TRANSFER, haben Sie einen Fehler beim Programmieren gemacht. Drücken Sie TRANSFER erneut: bleibt die Fehlermeldung bestehen, wiederholen Sie Schritte 1 bis 11 und beachten Sie alle Hinweise und Erklärungen.

Möchten Sie eine weitere Sendung programmieren, wiederholen Sie den Vorgang.

HINWEIS - Programmieren Sie eine Aufnahme für einen bereits belegten Programmplatz, wird die alte Eingabe automatisch überschrieben.

PROGRAMMIERUNG TÄGLICH WIEDERKEHRENDER AUFNAHMEN ÜBER DIE FERNBEDIENUNG

Führen Sie zunächst Schritt 1 und 2 entsprechend der obigen Prozedur durch und dann den dritten Schritt wie folgt:

3 Drücken Sie einmal SET -. Es blinken alle Tage (SUN MON TUE WED THU FRI SAT) auf. Drücken Sie SELECT.

Fahren Sie bei Schritt 4 fort.

PROGRAMMIERUNG WÖCHENTLICH WIEDERKEHRENDER AUFNAHMEN ÜBER DIE FERNBEDIENUNG

Führen Sie zunächst Schritt 11 entsprechend der obigen Prozedur durch und dann den zweiten Schritt wie folgt:

2 Drücken Sie zweimal SET -. WEEKLY blinkt auf. Drücken Sie SELECT.

Fahren Sie bei Schritt 3 fort.

FEHLERHILFE

Sehen Sie bei Schwierigkeiten mit Ihrem VCR unter Fehler in der Linken Spalte unten nach, dann unter MÖGLICHE URSACHE und MASSNAHME zwecks Abhilfe.

FEHLER	MÖGLICHE URSACHE	MASSNAHME
Kein Strom	* Stecker nicht stecken	* Stecker stecken
	* STANDBY-Taste auf Aus	* STANDBY drücken
	* POWER-Schalter ist OFF	* POWER-Schalter auf ON stellen
	* Aufnehmen per Zeitschaltuhr ist aktiv	* TIMER RECORD drücken
Aufnehmen per Zeitschaltuhr funktioniert nicht	* Zeitschaltuhr ist nicht richtig programmiert	* Zeitschaltuhr richtig programmieren
	* TIMER RECORD steht auf Aus	* TIMER RECORD drücken
Aufnehmen funktioniert nicht	* Löschschild an der Kassette fehlt	* Loch mit Klebeband abdecken
TV-Programme können nicht aufgenommen werden	* Input SELECT steht auf EXT oder TAPE	* Input SELECT auf TUNER stellen
Abspielbild teilweise gestört	* TRACKING falsch eingestellt	* TRACKING justieren
Gestörtes/körniges Abspielbild	* Videokopf verschmutzt	* Videokopf-Reinigung. Wenden Sie sich an Ihren Händler
Kein Abspielbild	* Fernseher nicht auf den richtigen Kanal eingestellt	* Kanal auf dem Fernseher wählen
Bedienungstasten funktionieren nicht trotz Strom und eingelegter Kassette	* Anzeige DEW (d)	* Warten
Fernbedienung funktioniert nicht	* Batterien leer	* Batterien überprüfen/ersetzen

WARTUNG

REINIGEN DES GEHÄUSES

- * Wischen Sie mit einem feuchten, weichen Tuch über die Vorderfront und alle sichtbaren Flächen des VCR. Benutzen Sie nie Alkohol oder chemische Lösungsmittel. Versprühen Sie kein Insektenvernichtungsmittel in der Nähe des VCR. Es können Schäden und Verfärbungen an den Oberflächen des Gerätes entstehen.

KOPF REINIGEN

- * Wenn das Abspielbild trotz klaren Empfangs des Fernsehprogrammes gestört, körnig oder unscharf ist bzw. unterbrochen wird, muß der Videokopf gereinigt werden. Schmutz von der Bandoberfläche führt nach langem Gebrauch zu solchen Verunreinigungen. Das Reinigen des Videokopfes sollte ein Fachmann durchführen - wenden Sie sich deshalb an Ihren Händler.

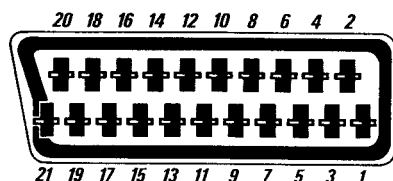
Reparaturen

Sollten mit Ihrem VCR Probleme auftreten, versuchen Sie nicht, diese selbst zu beseitigen. Das Gerät enthält keine Teile, die der Benutzer warten kann. Schalten Sie das Gerät aus, ziehen Sie den Netzstecker und beauftragen Sie eine autorisierte Videowerkstatt mit der Reparatur.

TECHNISCHE DATEN

Format:	VHSFernsen
System:	PAL BG/DDR SECAM
Aufzeichnungs-System:	rotierende Doppelkopftrommel (Helikal System)
Luminanz:	Frequenzmodulierter Azimuth
Farbsignal:	Konvertierte Subträger-Phasenverschiebung
Videosignal:	PAL 625 Zeilen, 50 Hz sowie CopyGuard-Kopierschutz
Bandbreite:	1, 27 cm
Bandlaufgeschwindigkeit:	SP: 23,39 mm/sec; LP: 11,70 mm/sec
Aufnahme-/Wiedergabedauer:	8 Stunden SP (2xE240) ohne Unterbrechung 16 Stunden LP (2xE240) ohne Unterbrechung
Tuner:	Synthesizertuner mit Suchlauf und Feinabstimmung
RF Eingang:	UHF Kanäle 21-69 VHF Kanäle E2-E4, E5-E12 CATV Sonderkanäle X, Y, Z, 81, 82, 83-820
RF Ausgang:	Kanal 32 bis 40 (jusierbar)
Video-Eingang:	1V s-s 75 Ohm
Video-Ausgang:	1V s-s 75 Ohm
Horizontale Auflösung:	230 Zeilen
Video-Fremdspannungsabstand:	44 dB (bewertet)
Audio-Eingang:	-10dBV
Audio-Ausgang:	-6dBV
Audio-Frequenzbereich:	200Hz - 8KHz
Audio-Fremdspannungsabstand:	40dB
Uhr:	24-Stunden-System + Datum
Timer:	7 Programme/Monat + VPS (oder 7 täglich wiederkehrende Programme) + 1 wöchentliches Programm
Anschlüsse:	SCART 1 (21-Pol Audio/Video Ein-/Ausgang) SCART 2 (21-Pol Audio/Video Ein-/Ausgang) AERIAL 75 Ohm Koax-Buchse RF OUT 75 Ohm Koax-Stecker
Stromversorgung:	220 Volt, 50Hz
Stromverbrauch:	35W
Abmessungen:	360 x 190 x 325 mm
Gewicht:	11kg
Umgebungstemperatur:	5C - 40 C
Serienmäßiges Zubehör:	Fernbedienung mit LCD- Anzeige Batterien Antennenkabel Bediener-Handbuch

SCARTBELEGUNGSPLAN



SCART 1

1	Audio-Ausgang (nur Laufwerk 1)
2	Audio-Eingang
3	Wie 1.
4	Audio-Erdung
6	Wie 2.
8	Steuerspannung Ausgang
17	Video-Erdung
19	Video-Ausgang (nur Laufwerk 1)
20	Video-Eingang
21	Abschirmung/Erdung

SCART 2

1	Audio-Ausgang
2	Audio-Eingang (nur Laufwerk 2)
3	Wie 1.
4	Audio-Erdung
6	Wie 2.
8	Steuerspannung Ausgang
17	Video-Erdung
19	Video-Ausgang
20	Video-Eingang (nur Laufwerk 2)
21	Abschirmung/Erdung

EIN- UND AUSGÄNGE

Verwenden Sie SCART 1 zum Anschluß von Eingängen (z.B. Satellitenempfänger) und SCART 2 zum Anschluß von Ausgängen (z.B. Fernsehgerät). Siehe hierzu auch Seite 9.

Es gibt jedoch einige Fälle, in denen SCART 1 als Ausgang und SCART 2 als Eingang benutzt werden muß.

- * Werden zwei verschiedene Kassetten über zwei verschiedene Fernsehgeräte wiedergegeben, muß eines der Fernsehgeräte an SCART 1 angeschlossen sein.
- * Bei Wiedergabe von einer Kassette über drei Fernsehgeräte, muß eines der Fernsehgeräte an SCART 1 angeschlossen werden.
- * Wird zur gleichen Zeit von zwei externen Quellen (Videokamera und Satellitenempfänger) aufgenommen, muß eine von ihnen an SCART 2 angeschlossen werden.
- * Wird gleichzeitig über Timersteuerung und eine externe Quelle aufgenommen, muß die externe Quelle an SCART 2 angeschlossen werden.

© 1990 Amstrad GmbH

Alle Rechte vorbehalten

Erste Ausgabe 1990

Autor: Ivor Spital

Dieses Dokument und die hierin enthaltenen Angaben unterliegen dem Urheberrecht und dürfen, genau wie das in der Anleitung beschriebene Produkt, weder vollständig noch auszugsweise in irgendeiner Form wiedergegeben, vervielfältigt oder reproduziert werden, es sei denn mit vorhergehender schriftlicher Genehmigung der AMSTRAD GmbH. Für sämtliche Informationen technischer Art und Einzelheiten über das Produkt oder seine Anwendung einschließlich der Informationen und Einzelheiten in dieser Anleitung übernimmt AMSTRAD keine Gewähr.

Das in dieser Anleitung beschriebene Produkt und die dazugehörigen Zusatzgeräte werden von AMSTRAD ständig weiterentwickelt und verbessert. AMSTRAD behält sich das Recht vor, Bauteiltypen, Herstellerfirmen, Zulieferer oder technische Spezifikationen ohne vorherige Ankündigung jederzeit zu ändern bzw. zu wechseln.

Sämtliche das Produkt betreffenden Wartungs- und Serviceleistungen müssen von einem von AMSTRAD autorisierten Händler durchgeführt werden. AMSTRAD übernimmt keine Haftung für Verluste und Schäden jeglicher Art, die durch Service oder Wartung durch nicht autorisierte Personen entstehen. Diese Anleitung ist lediglich dazu bestimmt, den Leser in der Benutzung dieses Produkts zu unterstützen. Aus diesem Grund kann AMSTRAD für keinerlei Verluste oder Schäden haftbar gemacht werden, die durch die Anwendung irgendeiner Information oder Einzelheit in dieser Anleitung oder durch einen Irrtum oder eine Unterlassung bei einer unsachgemäßen Anwendung und Bedienung des Produkts entstehen.

AMSTRAD übernimmt keinerlei Garantie für die gleichbleibende Qualität der in diesem Handbuch beschriebenen Übertragungsleistungen.

AMSTRAD ist ein eingetragenes Warenzeichen der Amstrad GmbH. Die widerrechtliche Benutzung dieses Warenzeichens ist untersagt.

Amstrad GmbH

Dreieichstraße 8

6082 Mörfelden-Walldorf

Auf der Rückseite des Gerätes finden Sie die Seriennummer.

Notieren Sie sich die Seriennummer (und evtl. andere wichtige Informationen) hier und bewahren Sie diese Anleitung sorgfältig auf. Sie dient als Dokument Ihres Kaufs und hilft im Diebstahlsfall, Ihr Gerät zu identifizieren.

Tag des Kaufs:	
Händler:	
Adresse des Händlers:	
Rufnummer des Händlers:	
Typ:	DD8904
Seriennummer:	

KURZ-BEDIENUNGSANLEITUNG

AUFNAHME

1. Legen Sie die Kassette(n) ein.
2. Wählen Sie mit den TAPE MODE-Tasten den gewünschten Bandmodus (siehe unten).
3. Wählen Sie mit den INPUT SELECT-Tasten den gewünschten Eingang (siehe unten).
4. Wählen Sie mit den TAPE SPEED-Tasten die gewünschte Bandgeschwindigkeit (LP oder SP).
5. Wählen Sie mit den CHANNEL-Tasten ▼ oder ▲ den Kanal.
6. Drücken Sie RECORD.
7. Zum Beenden der Aufnahme drücken Sie STOP/EJECT.

WIEDERGABE

1. Legen Sie die Kassette(n) ein.
2. Wählen Sie mit den TAPE MODE-Tasten den gewünschten Bandmodus (siehe unten).
3. Drücken sie PLAY.
4. Zum Beenden der Wiedergabe drücken Sie STOP/EJECT.

DIE WICHTIGSTEN TASTEN/REGLER

Mit den OUTPUT SELECT-Tasten wählen Sie, welches der beiden Laufwerke abgespielt werden soll.

Mit der TAPE MODE-Tasten legen Sie die Betriebsart der Laufwerke fest:

NORMAL - Laufwerk 1 und 2 verhalten sich wie zwei unabhängige Videorecorder.

CONTINUOUS - Laufwerk 2 startet nach Bandende von Laufwerk 1

LOOP - Laufwerk 2 startet nach Bandende von Laufwerk 1. Laufwerk 1 wird zurückgespult und startet bei Bandende von Laufwerk 2 erneut, usw.

Mit den INPUT SELECT-Tasten wählen Sie, was auf die Laufwerke aufgenommen werden soll:

TUNER - Aufnehmen eines Fernsehkanals (Auswahl mit den CHANNEL ▼ oder ▲ -Tasten)

EXT - Aufnehmen einer externen Programmquelle (z.B. Satellitenempfänger oder Videokamera), die an die Scart-Buchse angeschlossen ist.

TAPE - Aufnehmen von einem anderen Laufwerk (z.B. Kopieren von Bändern).