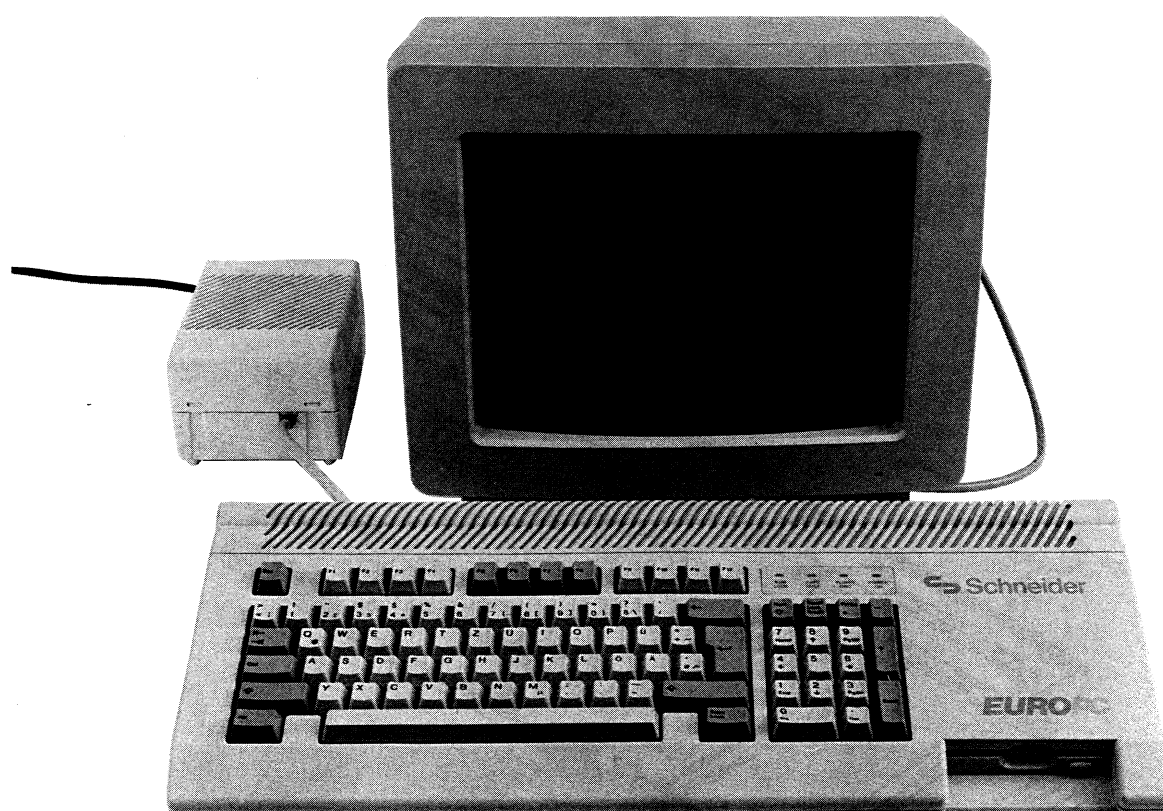
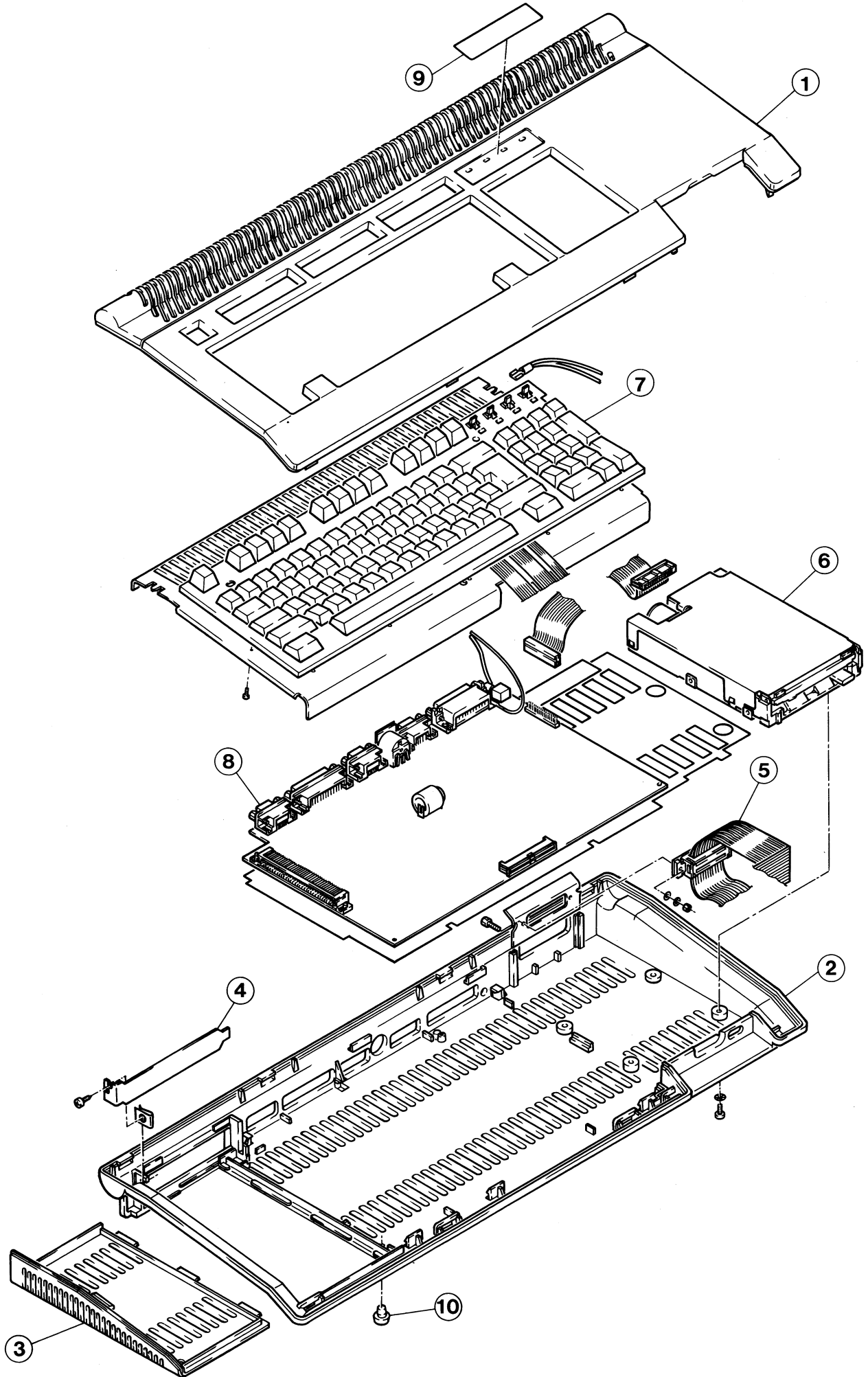


**SYSTEMEINHEIT
EURO PC**

Ident-Nr.: 43006



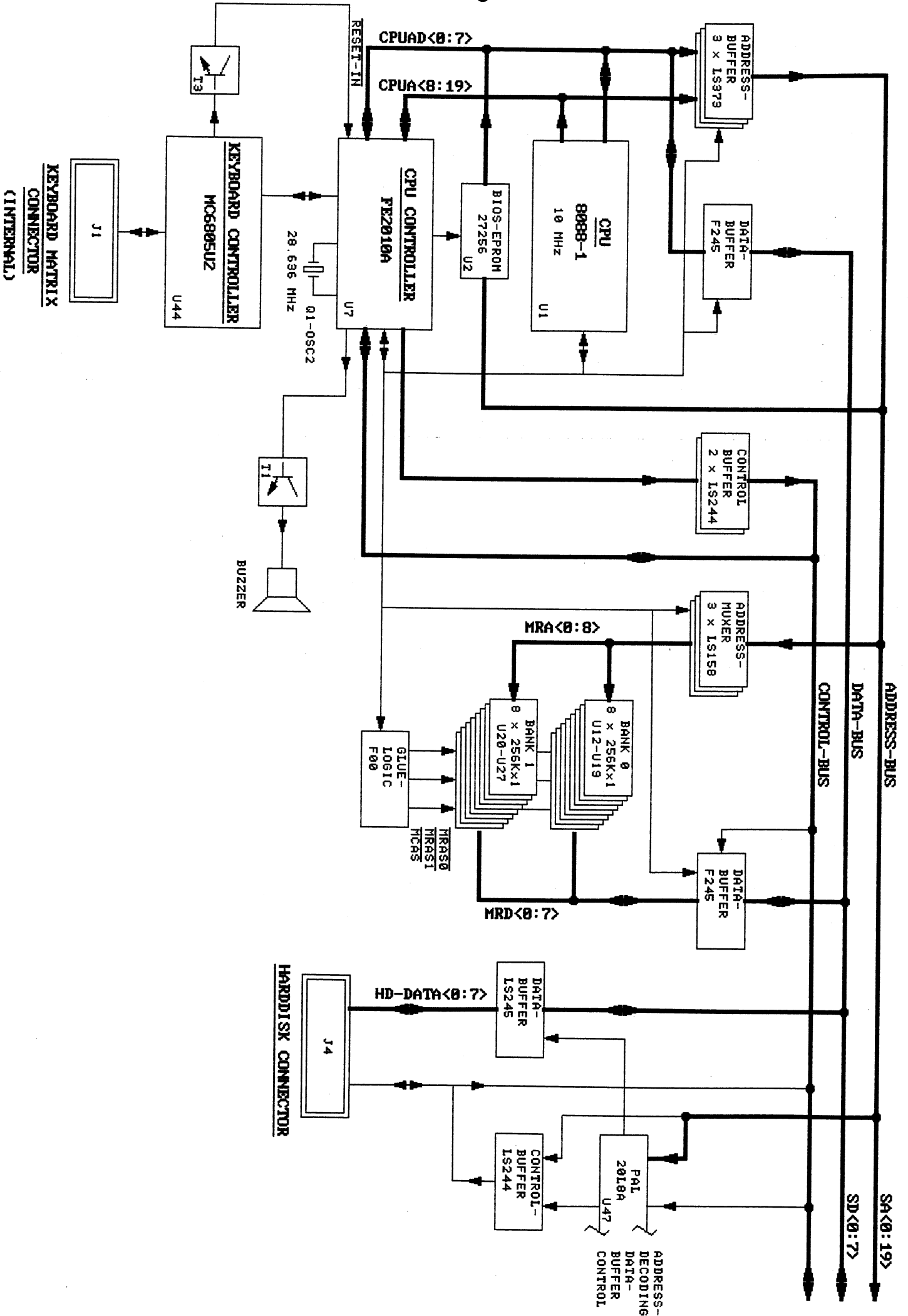
Exploded view



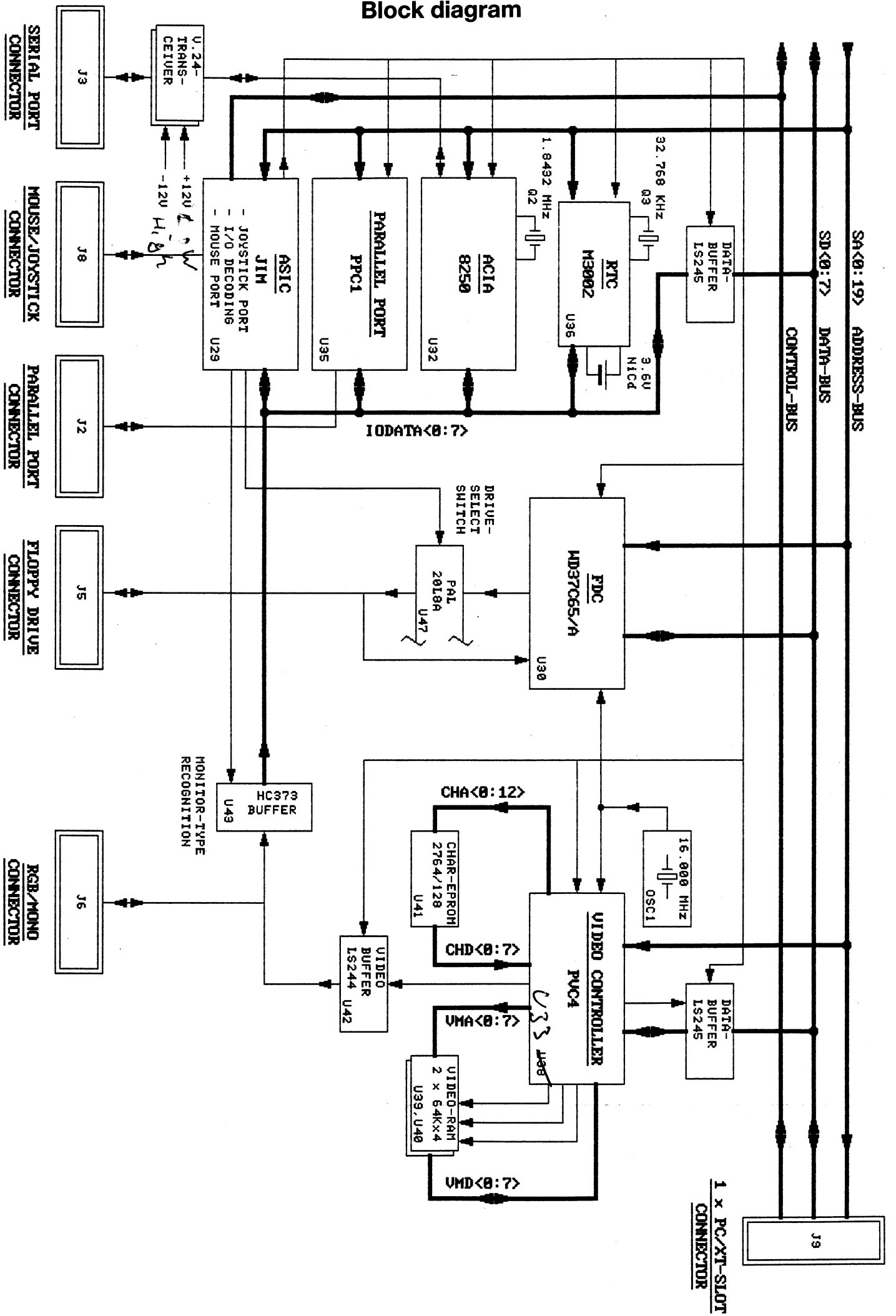
Ersatzteile für Systemeinheit Euro PC
 Parts List for System Unit Euro PC

Best.-Nr. Part. No.	Bezeichnung	Description	Zeich.-Pos. Ref.-No.	Preisgruppe
50 000 00	Gehäuseoberenteil	Cabinet, top	1	C 7
50 011 00	Gehäuseboden	Cabinet, bottom	2	C 6
50 012 00	Gehäuseklappe	Cabinet, door	3	B 4
50 020 00	Blindblech	Plate, blind	4	A 7
50 018 00	Kabelbaum FDD	Cord FDD	5	C 5
50 017 00	Floppylaufwerk	Floppy disk drive	6	G 7
50 016 00	Tastatur (D)	Switch keyboard	7	E 5
50 015 00	Platine CPU	CPU-board	8	J 1
50 014 00	Klebeschild	Sheet	9	A 6
50 141 00	Gehäusefuß	Leg, cabinet	-	A 2
50 023 00	Typenschild	Sheet, rating	-	A 3
50 058 00	Styropor Euro PC	Polyfoam	-	B 7
50 024 00	Faltkarton Euro PC	Gift box	-	B 7
50 003 00	Netzteil Euro PC	Power supply	-	F 0

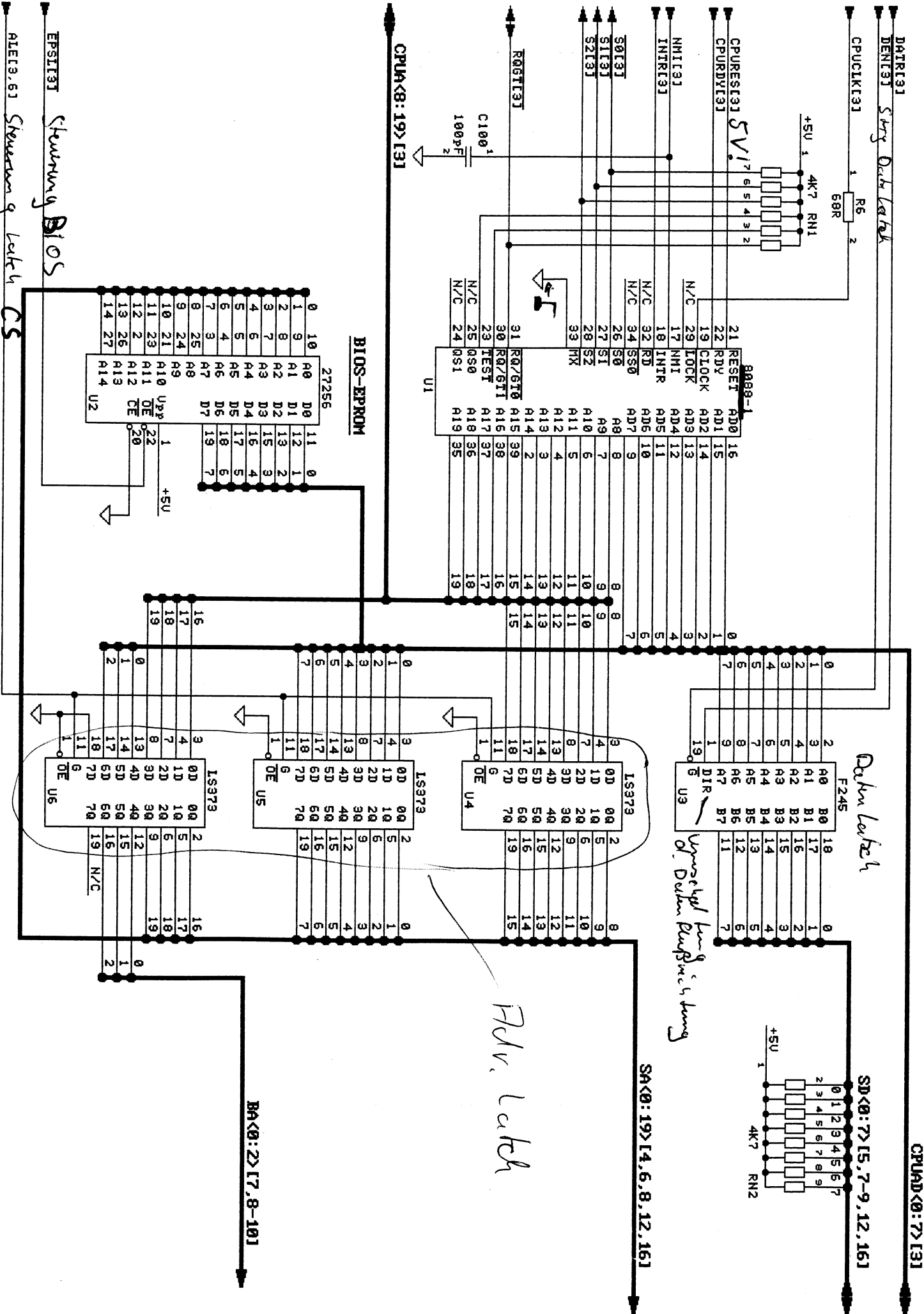
Block diagram



Block diagram



Schematic diagram



Cache Latch

Used by the CPU for the purpose of cache

Adv. Latch

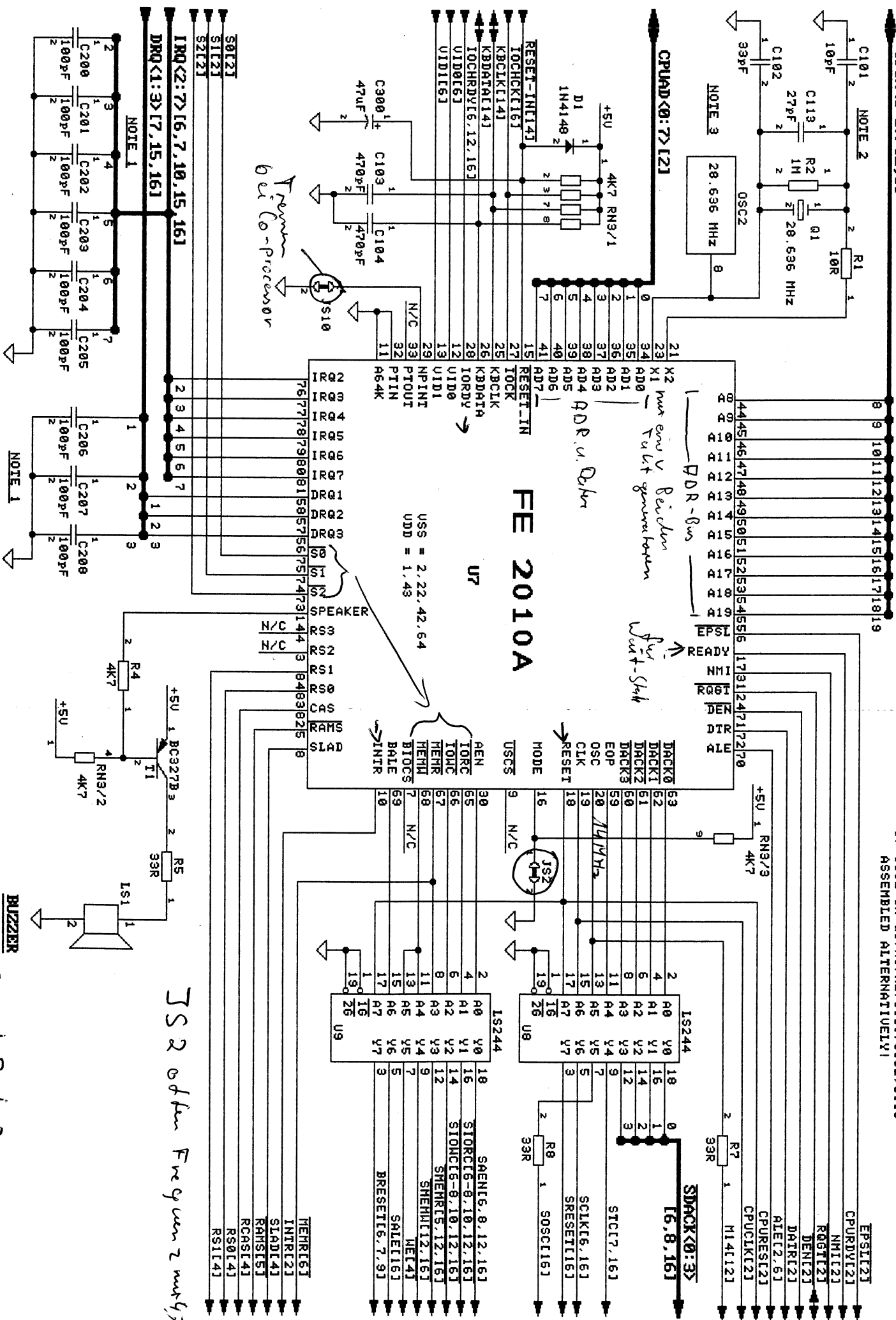
Steuerung BIOS

ALE[3:6] Steuerung Latch CS

BA<0:2> [7, 8-10]

SA<0:19> [4, 6, 8, 12, 16]

Schematic diagram



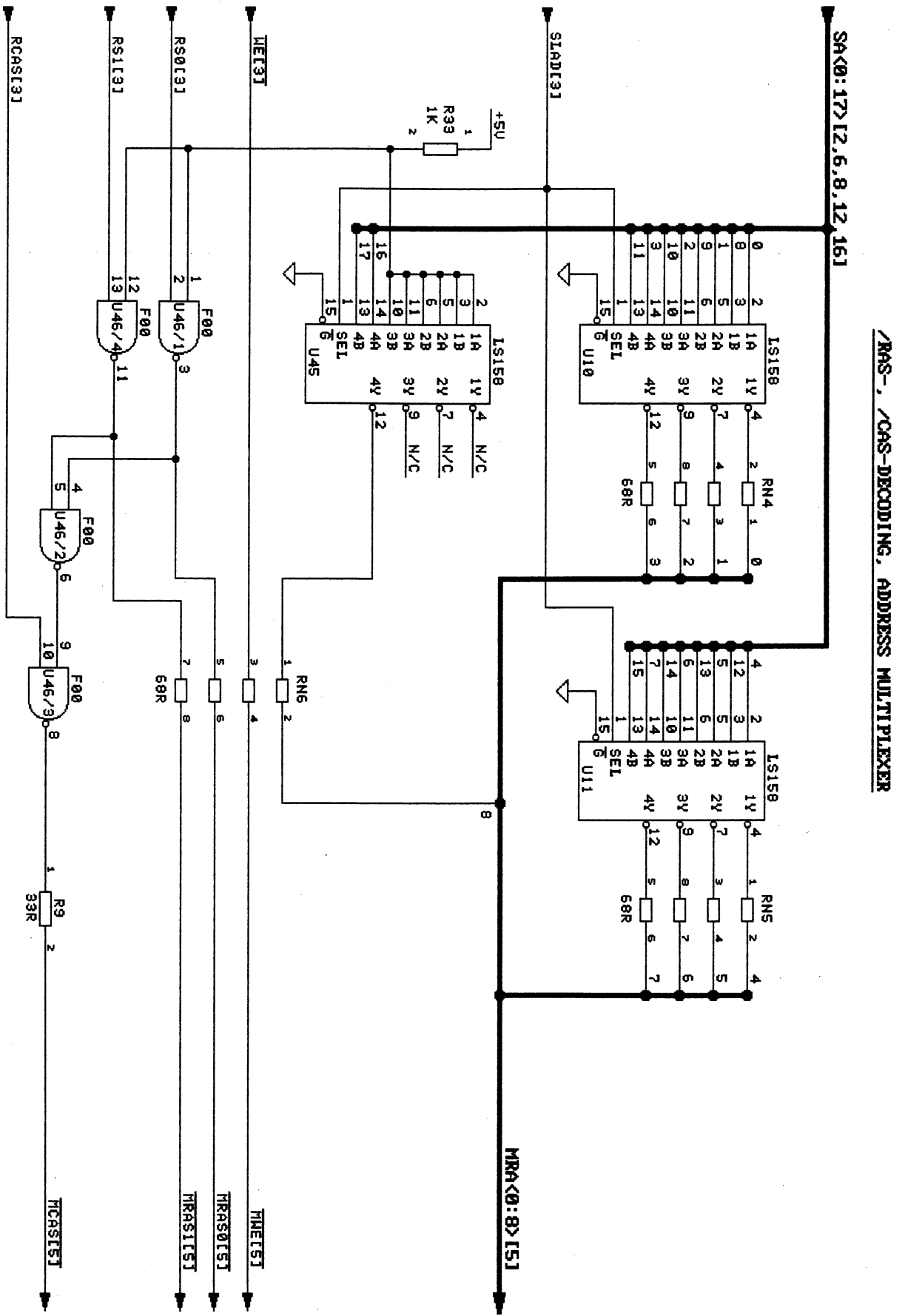
CPU CONTROLLER

- NOTES:
- 1) C200-C208 ONLY ASSEMBLED IF REQUIRED!
 - 2) C118 ONLY ASSEMBLED IF NECESSARY FOR Q1!
 - 3) OSC2 OR Q1, R1, R2, C101, C102, C113 ASSEMBLED ALTERNATIVELY!

3 S 2 of her Freyven 2 may 97?

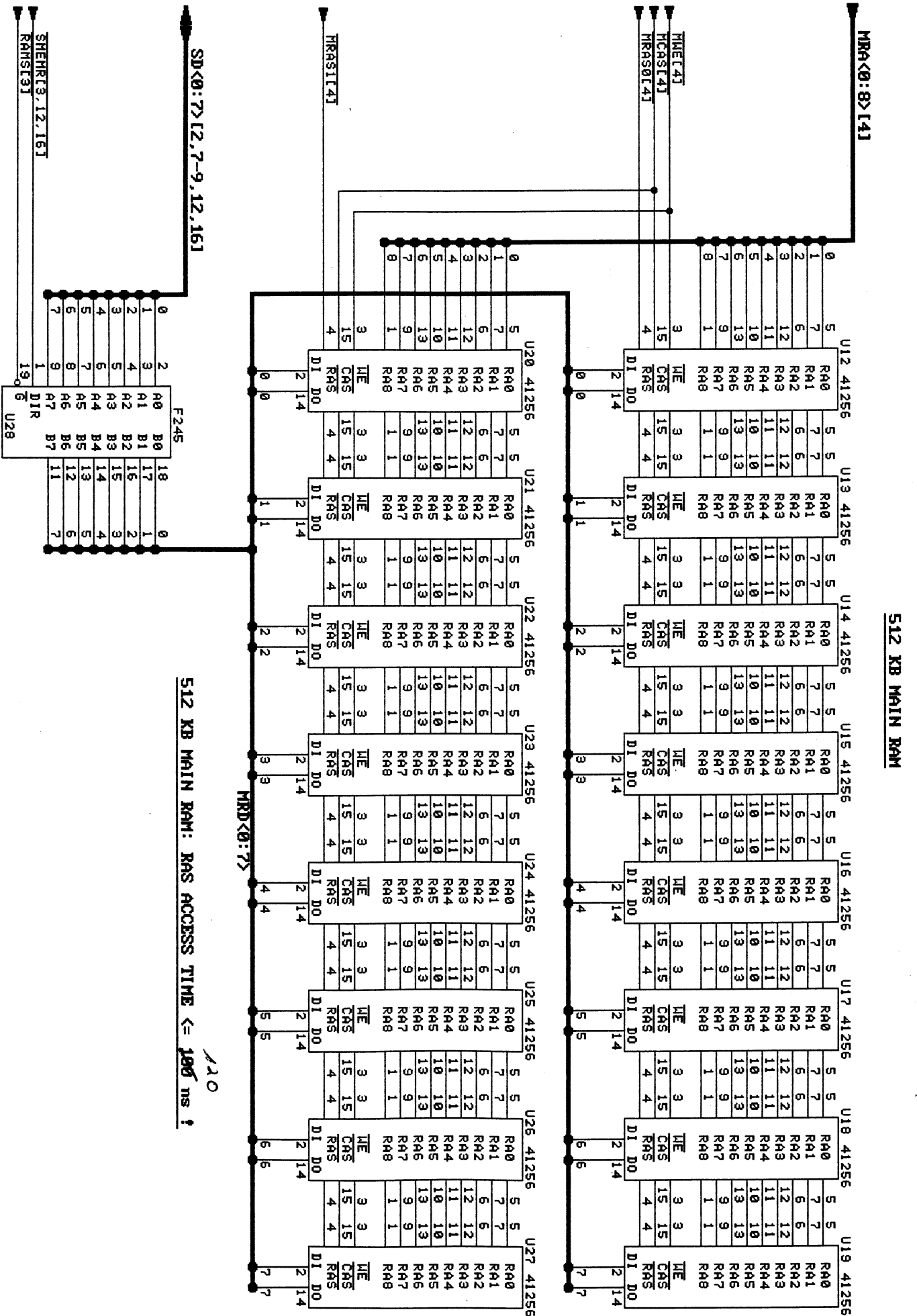
Sheet 3 of 7

Schematic diagram



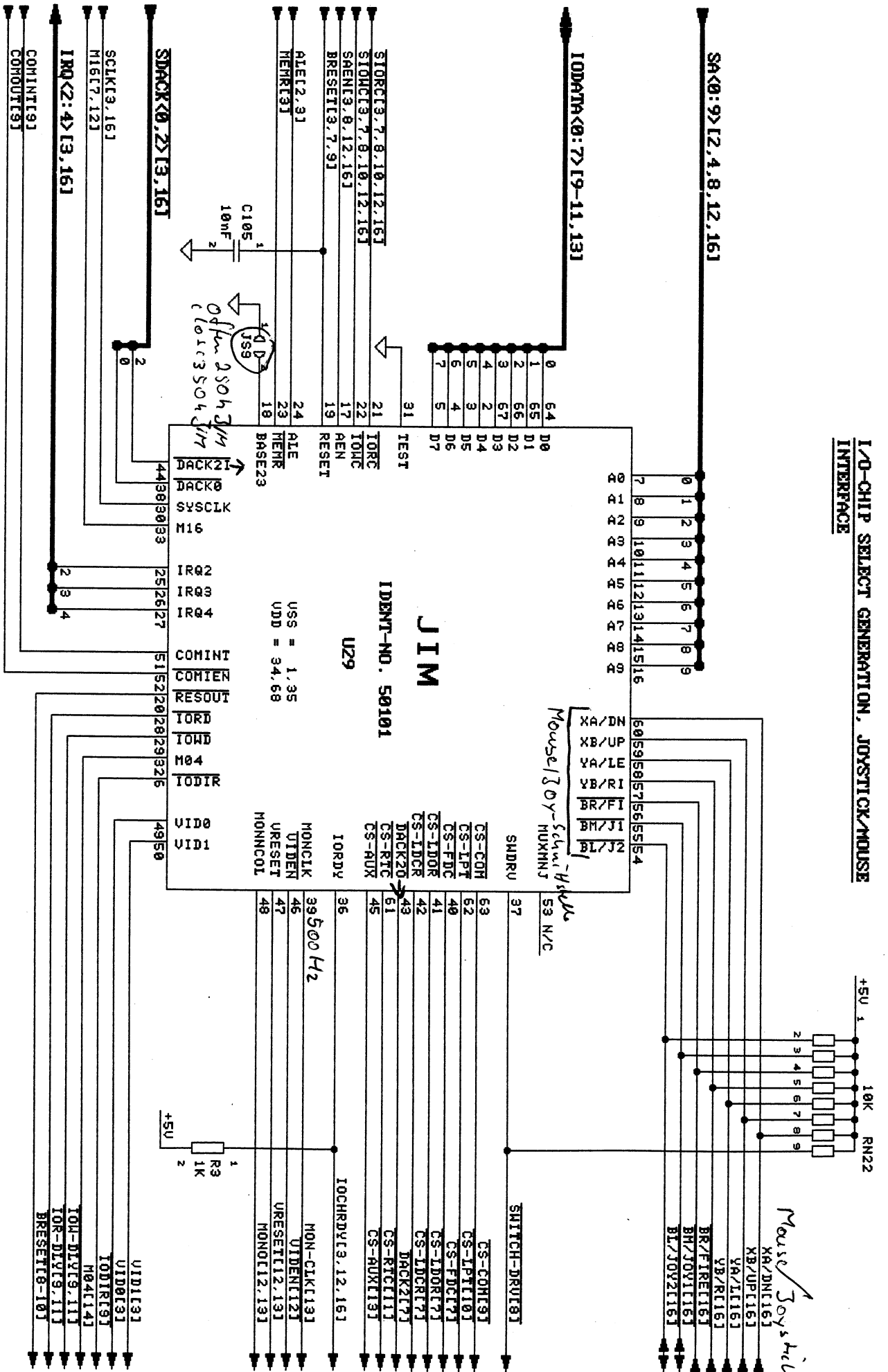
Sheet 4 of 12

Schematic diagram



Sheet 5 of 12

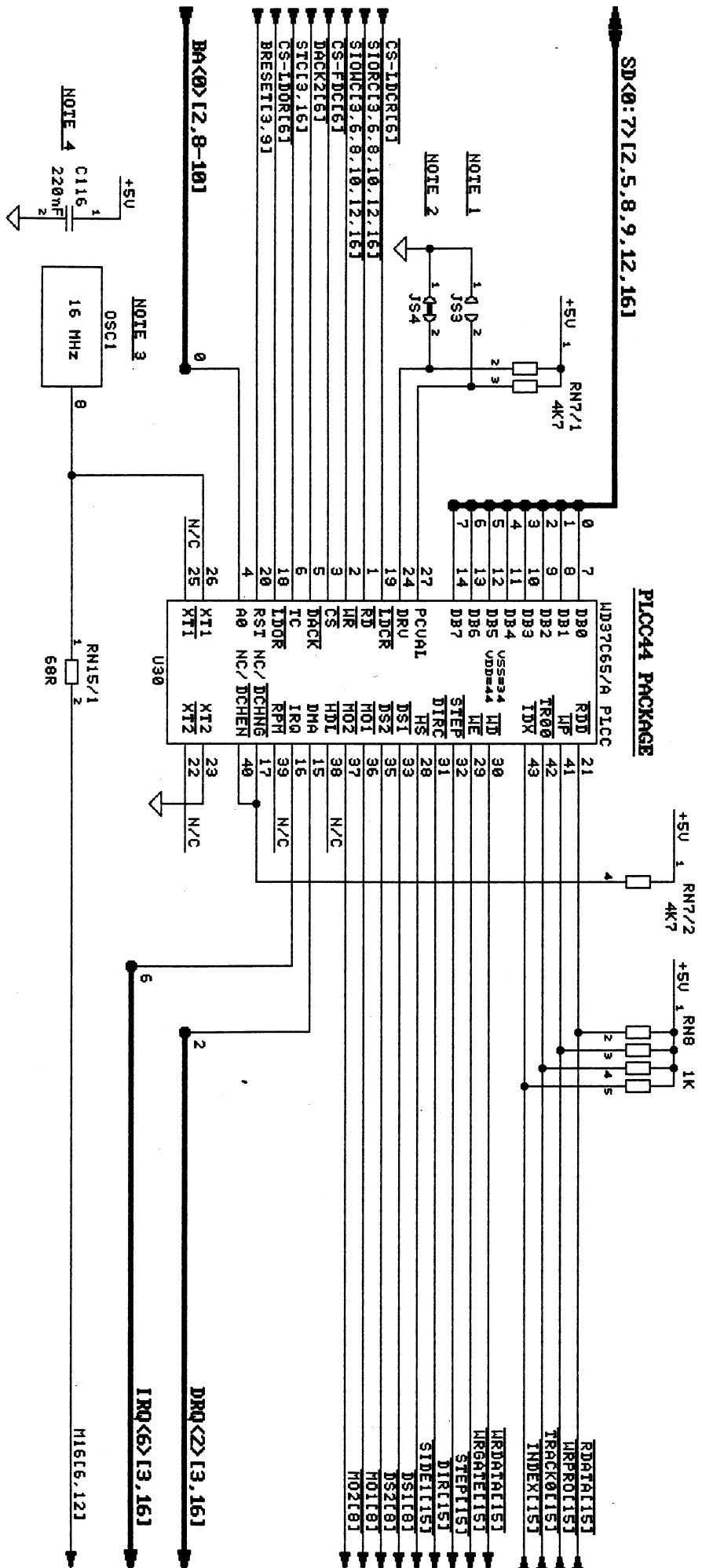
Schematic diagram



Sheet 6 of 12

Schematic diagram

FLOPPY DISK CONTROLLER



NOTES: 1) JS3 SELECTS WRITE PRECOMP. UAL. 1
 JS3 OPEN : 125 ns 20Kb - low frequency
 JS3 CLOSED: 187 ns 360Kb - low frequency

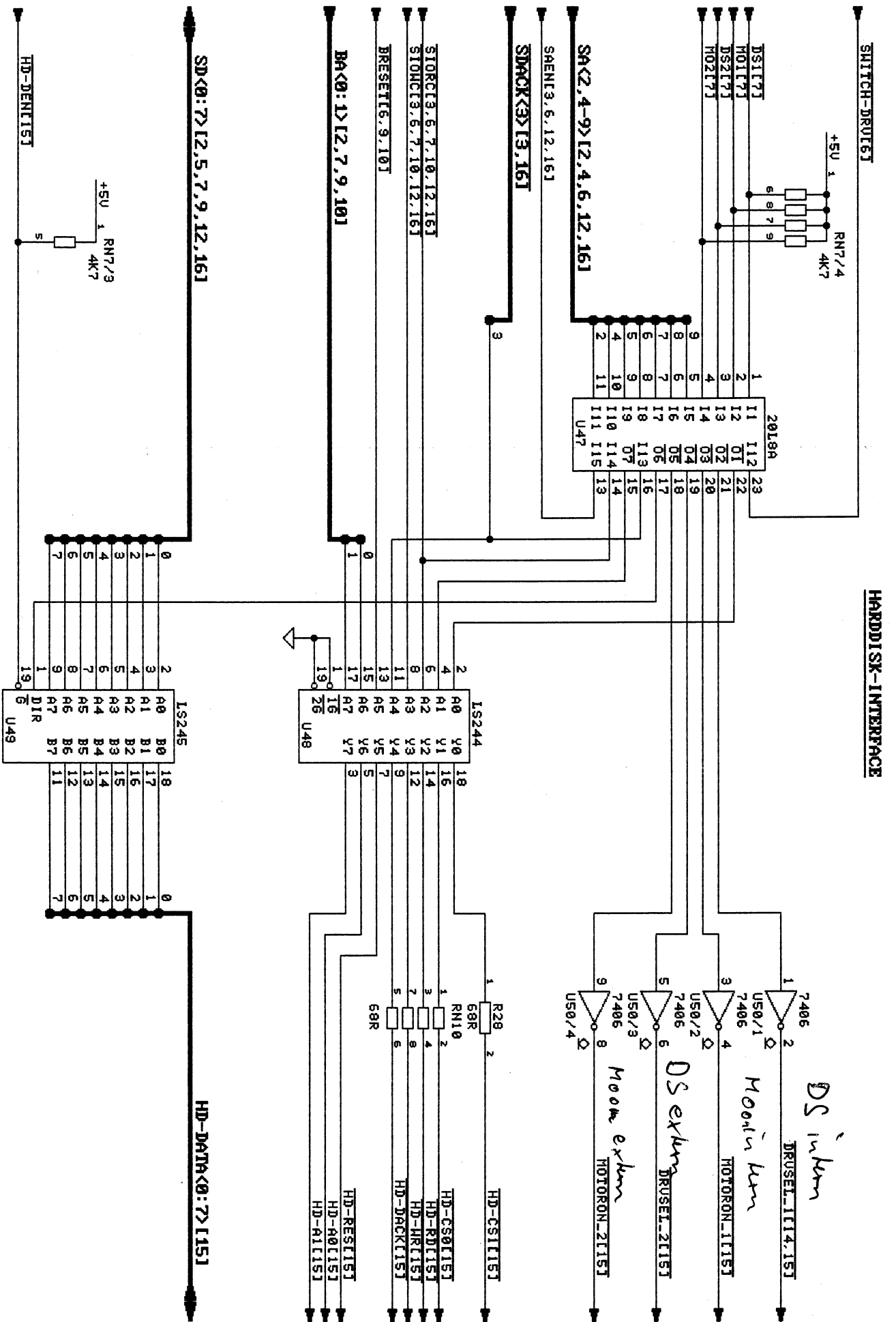
2) JS4 SELECTS 2 SPEED SPINDLE DRIVE
 IF CLOSED

3) OSCILLATOR +- 100 PPM. CMOS OUTPUT

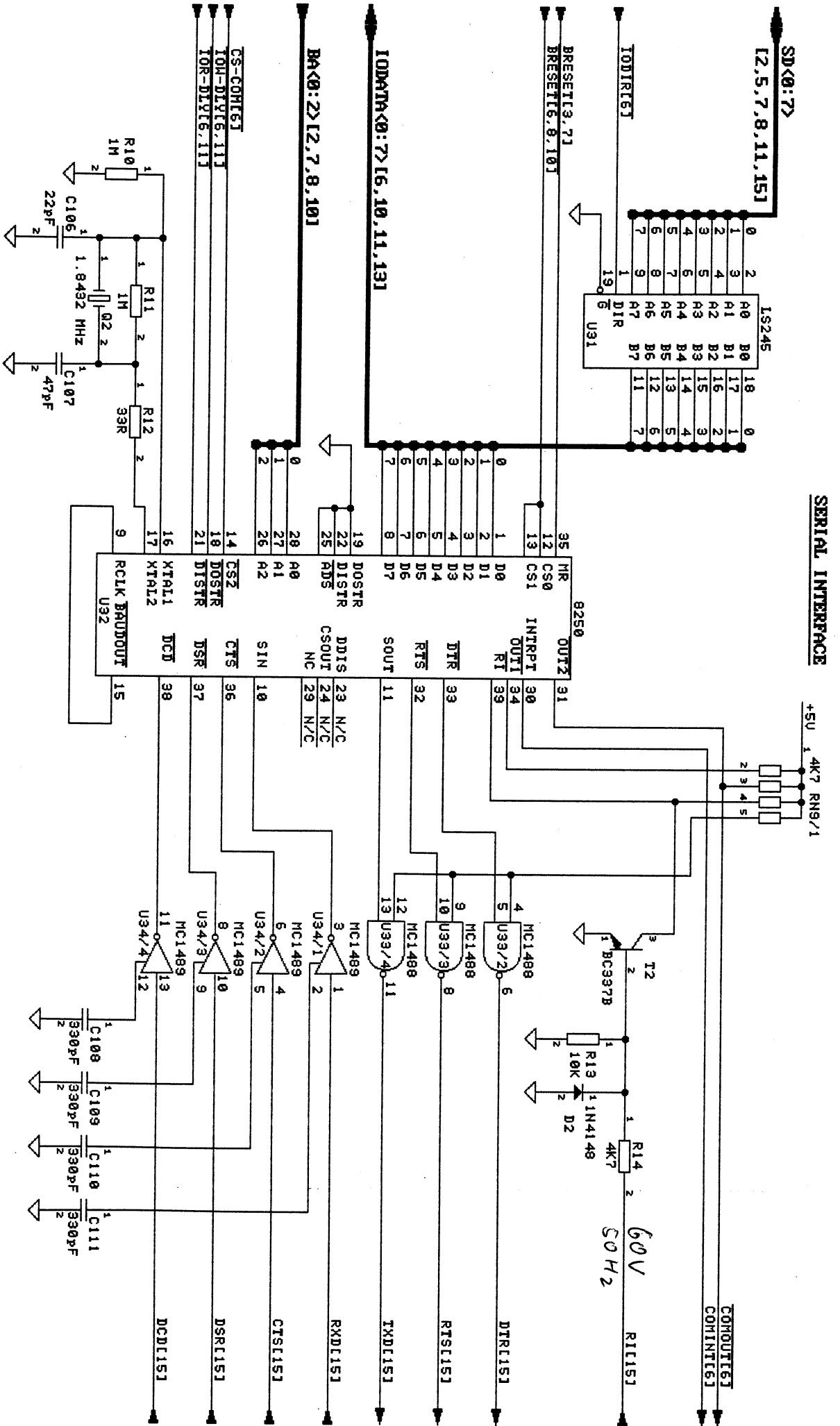
4) C116 IS BLOCK CAP FOR OSC1

Sheet 2 of 12

Schematic diagram



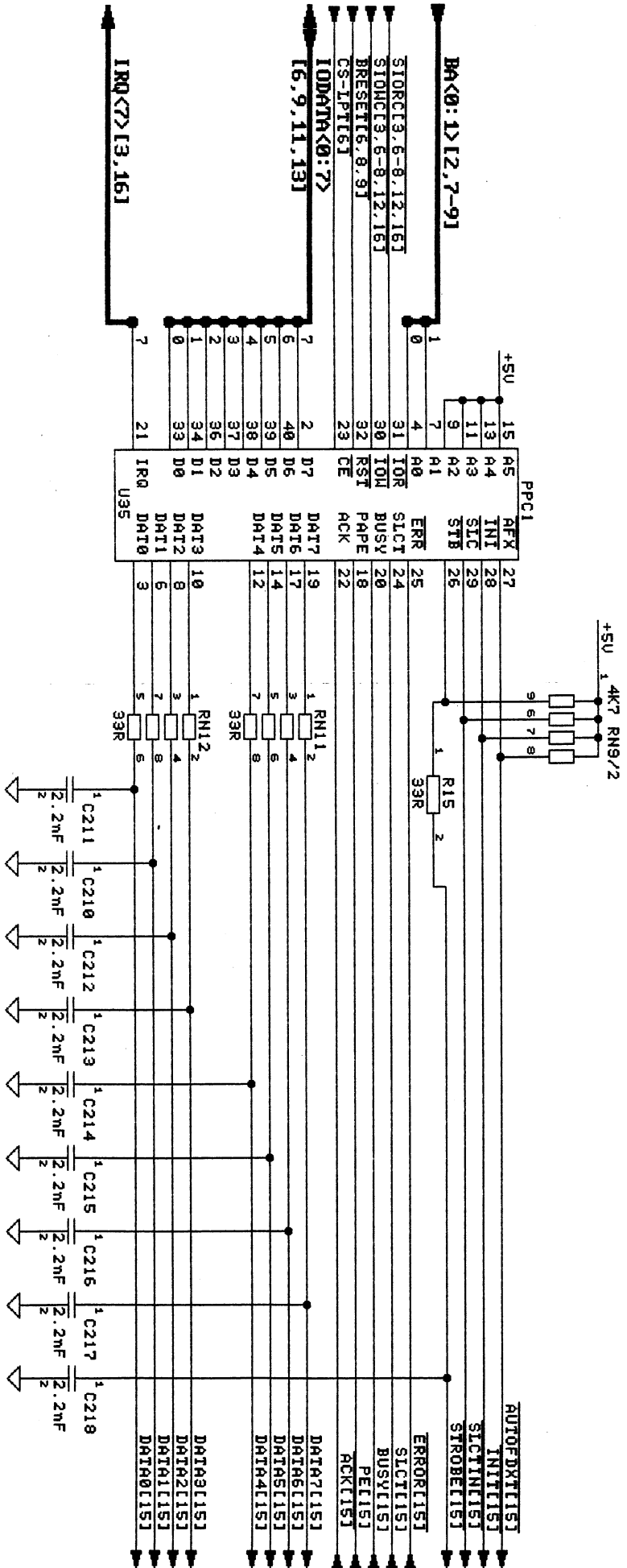
Schematic diagram



3 of 17

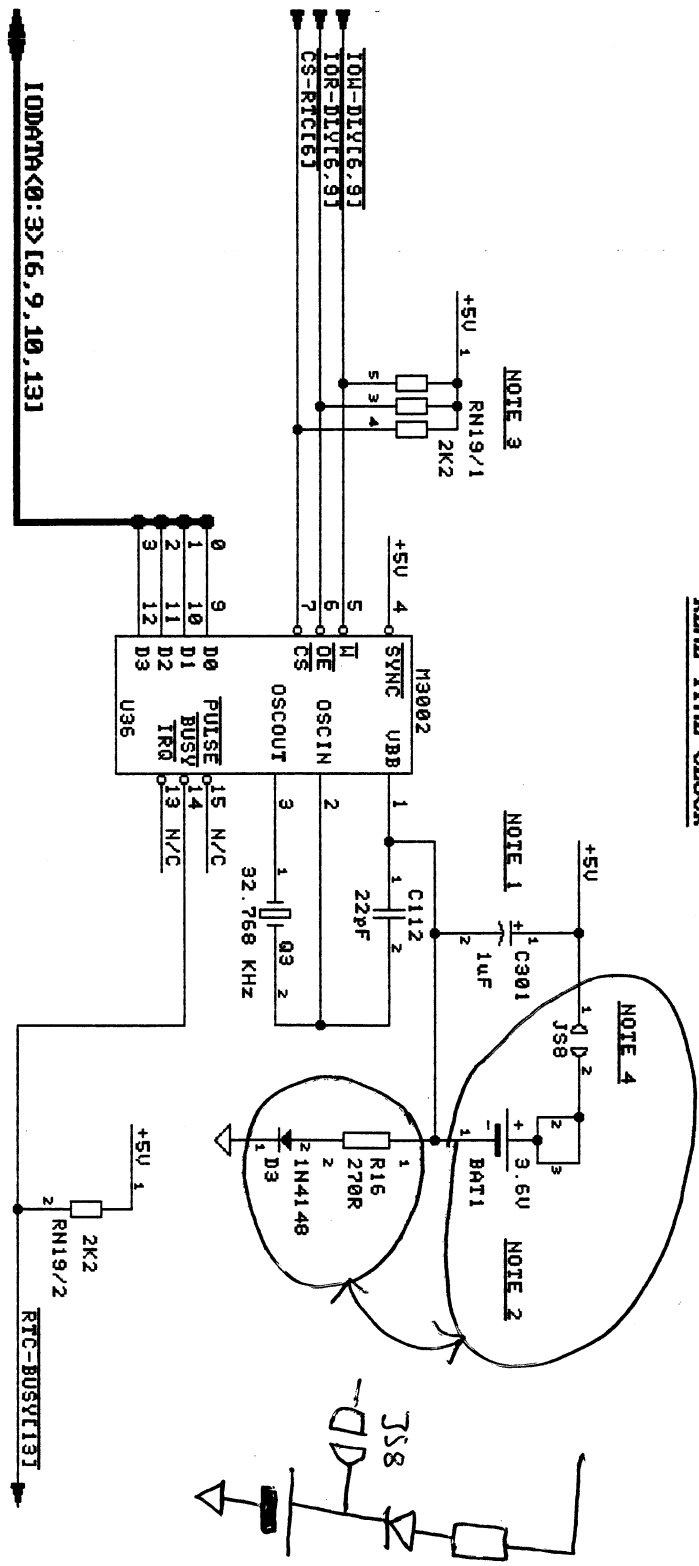
Schematic diagram

PARALLEL INTERFACE



Schematic diagram

REAL TIME CLOCK

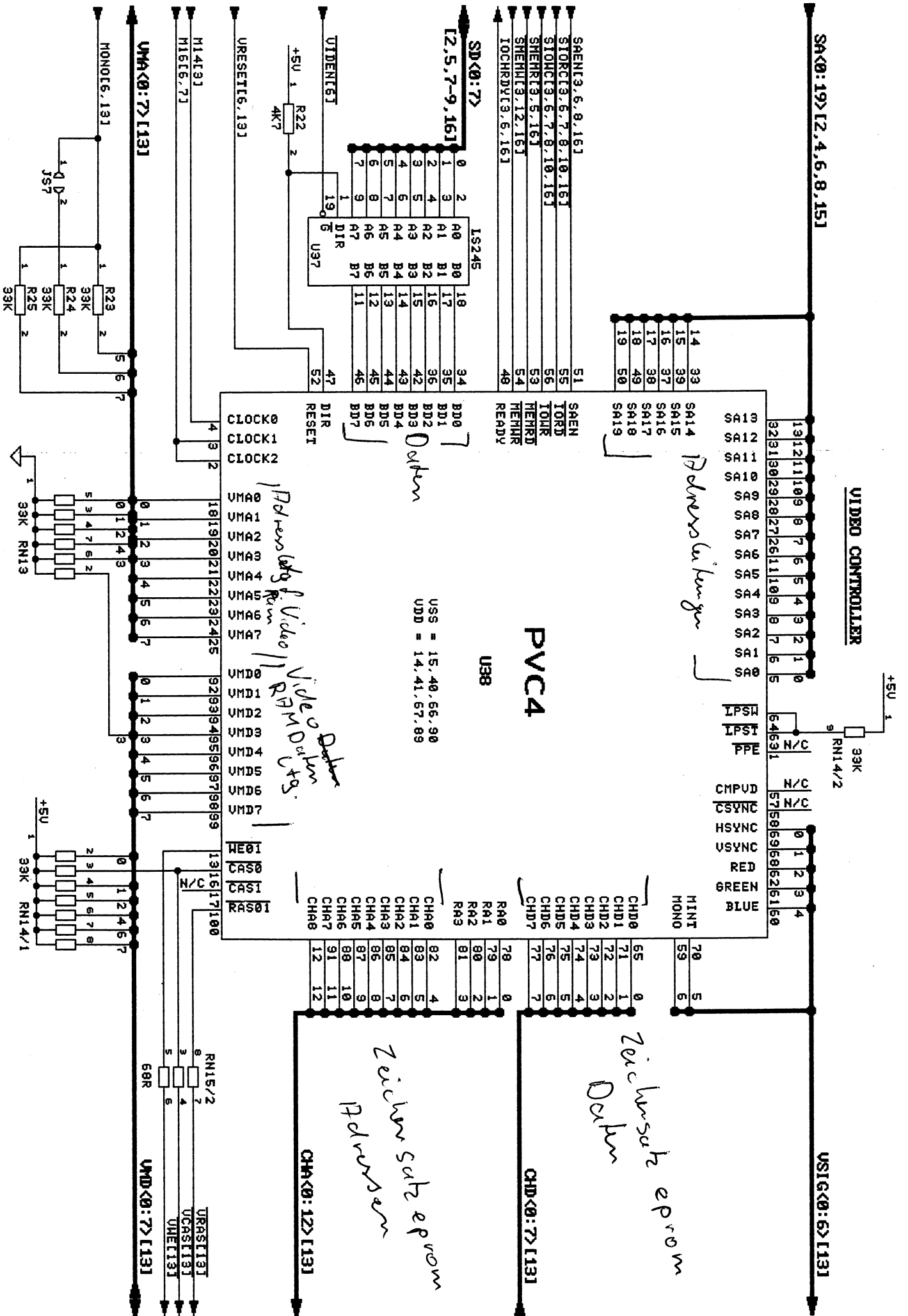


- NOTES:
- 1) C301 IS A TANTAL TYPE
 - IT IS ONLY ASSEMBLED IF REQUIRED.
 - 2) BAT1 IS A NICK ACCU WITH 60MAH CAPACITY
 - 3) RN19 ONLY ASSEMBLED IF REQUIRED
 - 4) J58 MUST BE CLOSED AFTER ASSEMBLY OF BAT1

JS8 Sc 4 lie Ben
 wenn neue Platin kommt
 JS8 zu haben um
 RTC Spannung los zu machen

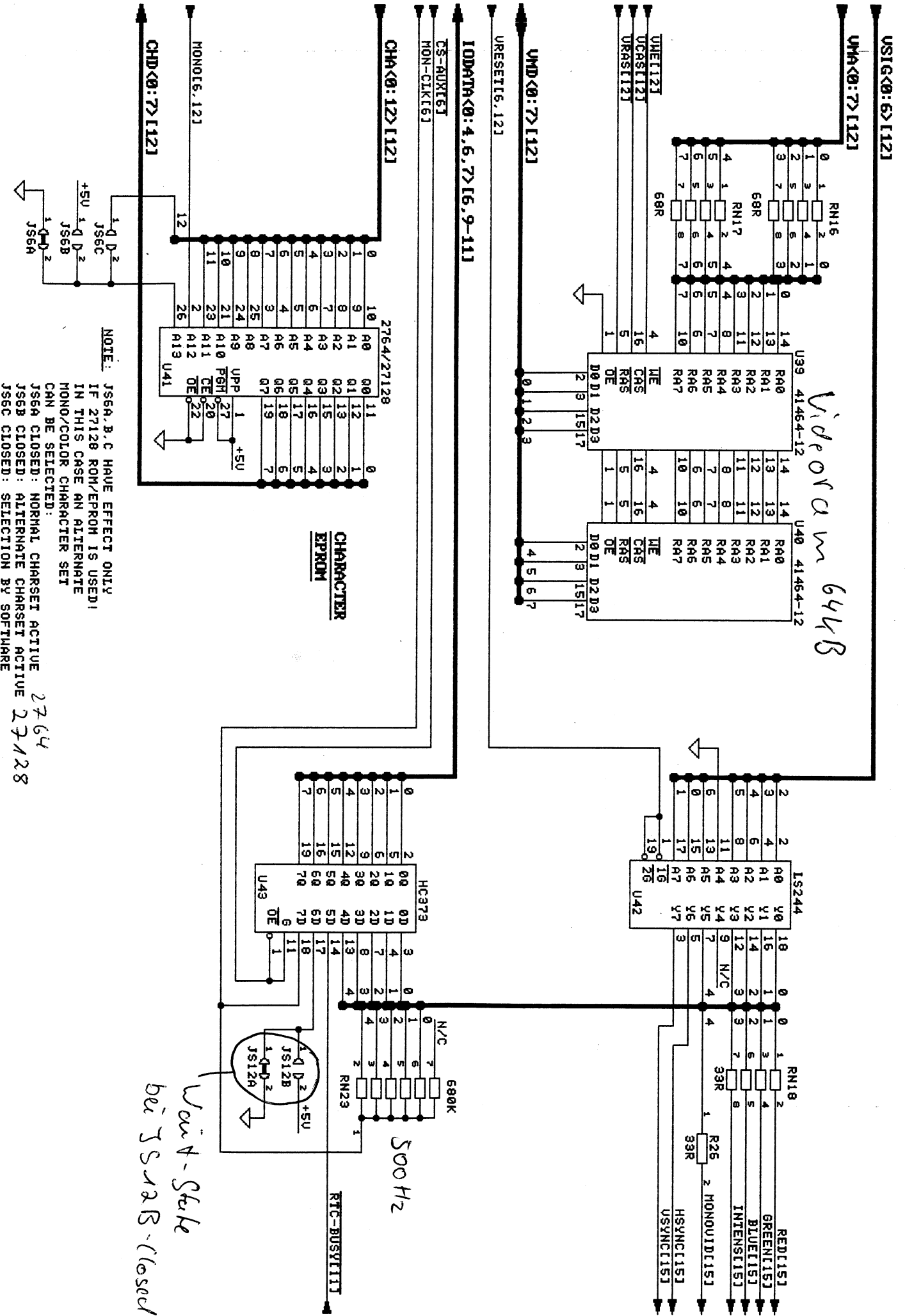
110717

Schematic diagram



Schematic diagram

VIDEO RAM, CHARACTER EPROM, VIDEO BUFFER

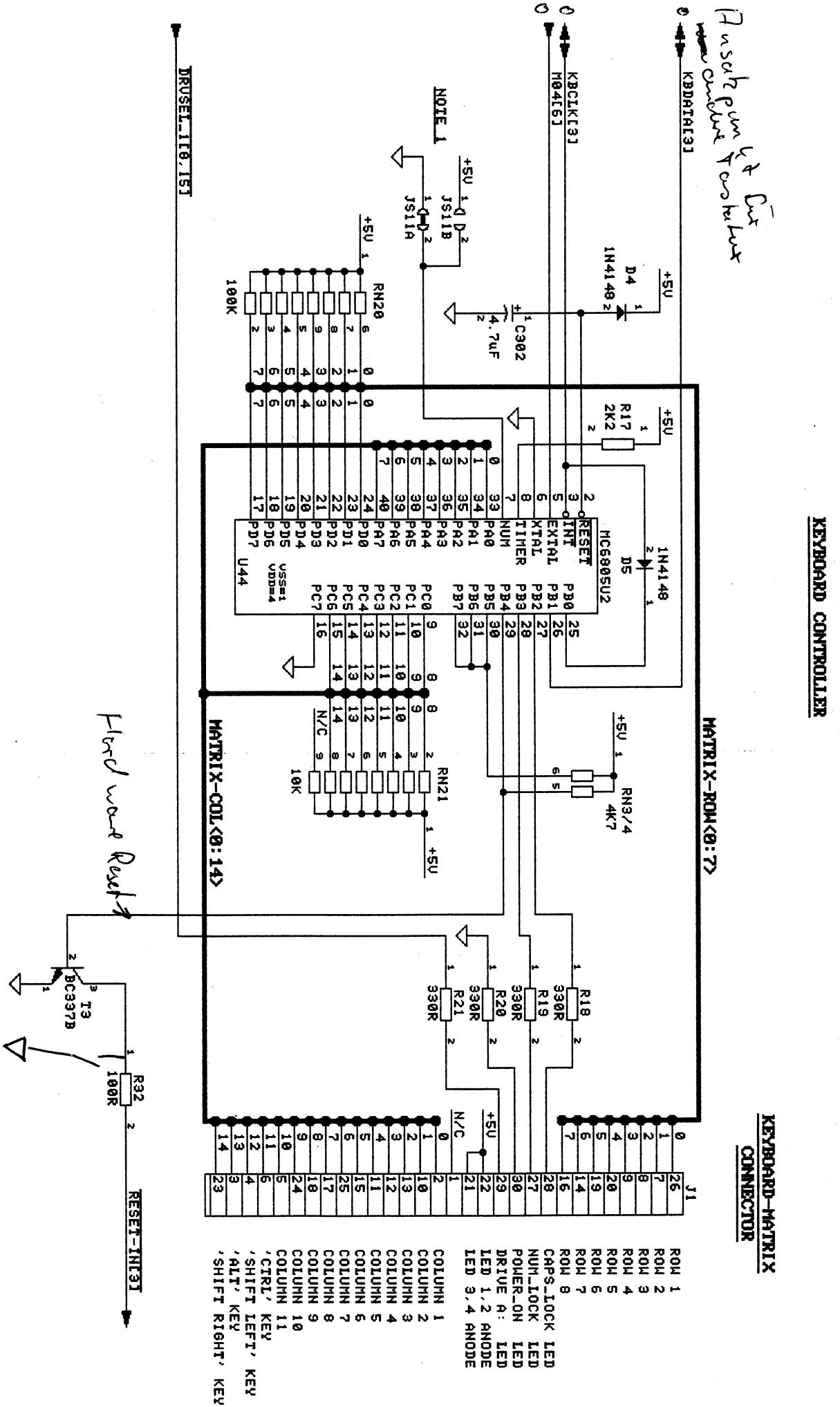


NOTE: JS6A, B, C HAVE EFFECT ONLY IF 27128 ROM/EPROM IS USED! IN THIS CASE AN ALTERNATE MONO/COLOR CHARACTER SET CAN BE SELECTED:

- JS6A CLOSED: NORMAL CHARSET ACTIVE 2764
- JS6B CLOSED: ALTERNATE CHARSET ACTIVE 27128
- JS6C CLOSED: SELECTION BY SOFTWARE

Want-Style bit JS6A-B-Closed

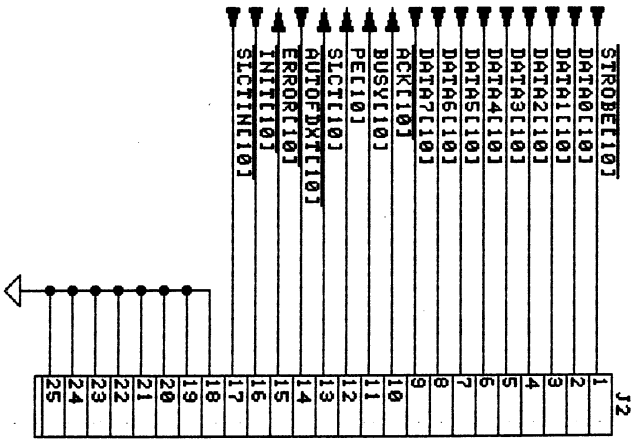
Schematic diagram



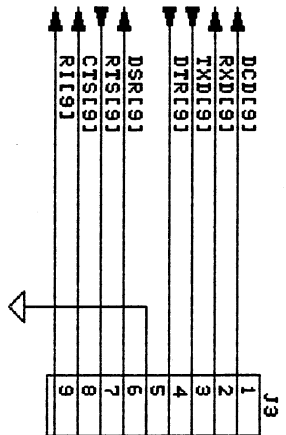
NOTES: 1) JS11A CLOSED, JS11B OPEN FOR MC6805U2 ROM VERSION
 JS11A OPEN, JS11B CLOSED FOR MC68705U3 EPROM VERSION

Schematic diagram

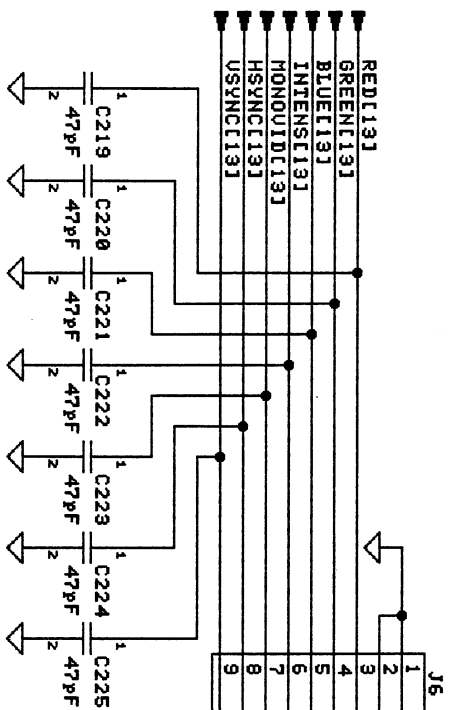
PARALLEL PORT
25 PIN SUBD CONN. FEM.



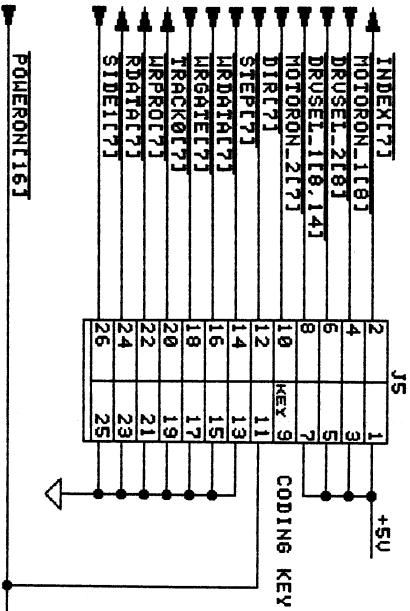
SERIAL PORT
9 PIN SUBD CONN. MALE



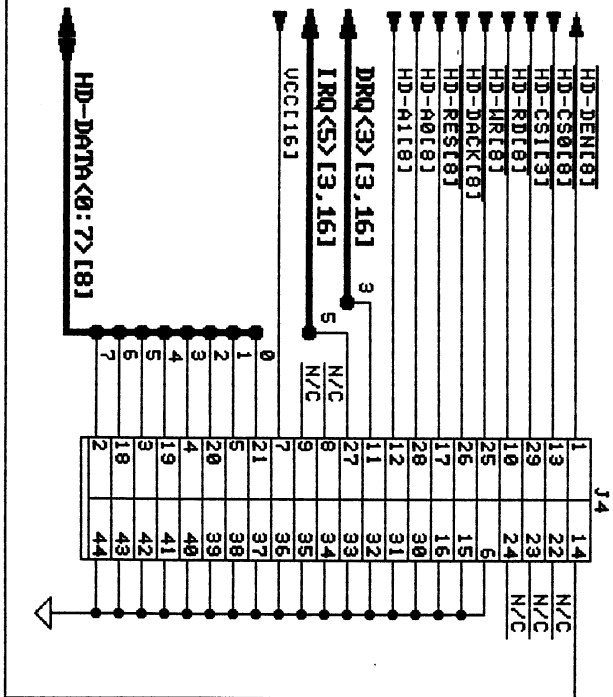
VIDEO MONO/RGB
9 PIN SUBD FEMALE



INTERNAL AND EXTERNAL FLOPPY DRIVE
HEADER ASSY DUAL ROM 26 PIN



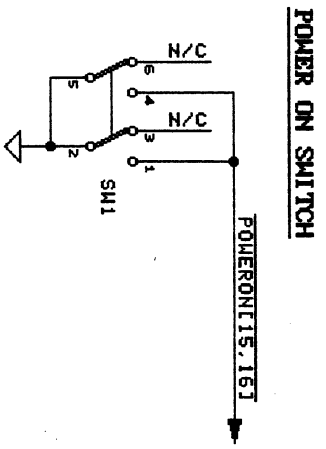
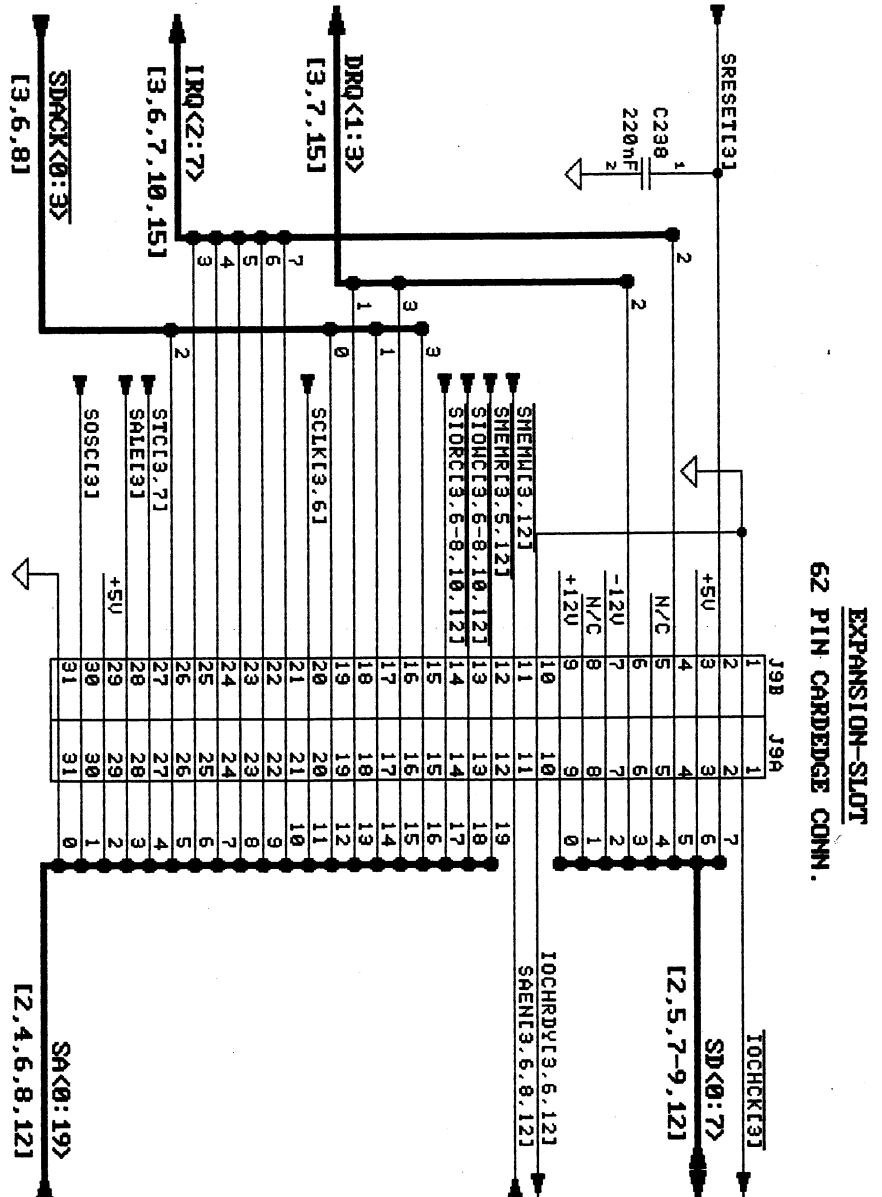
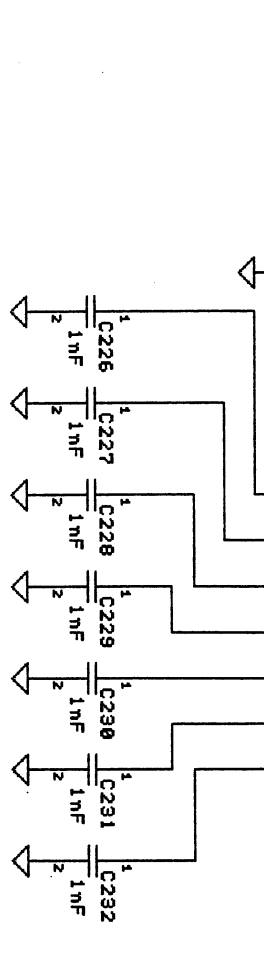
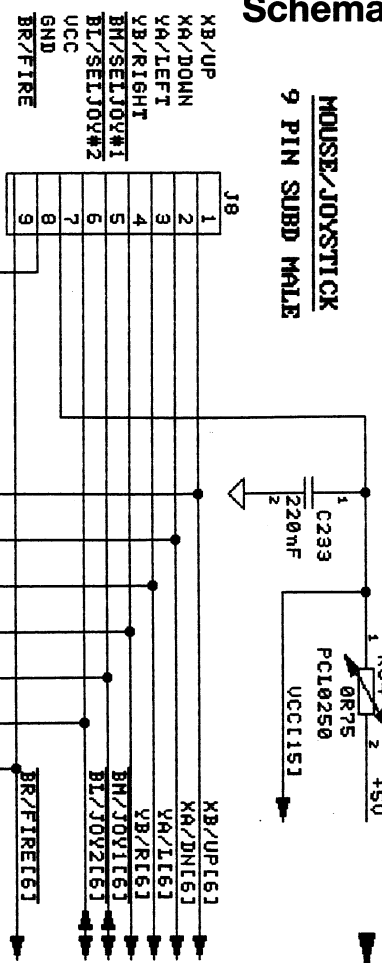
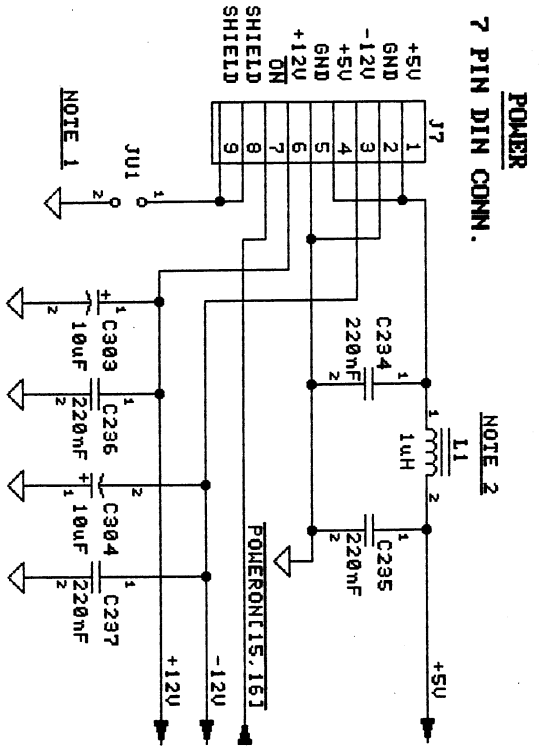
EXTERNAL HARDDISK DRIVE
44 PIN MICRO-D CONN. FEMALE



CONNECTORS #1

15 of 17

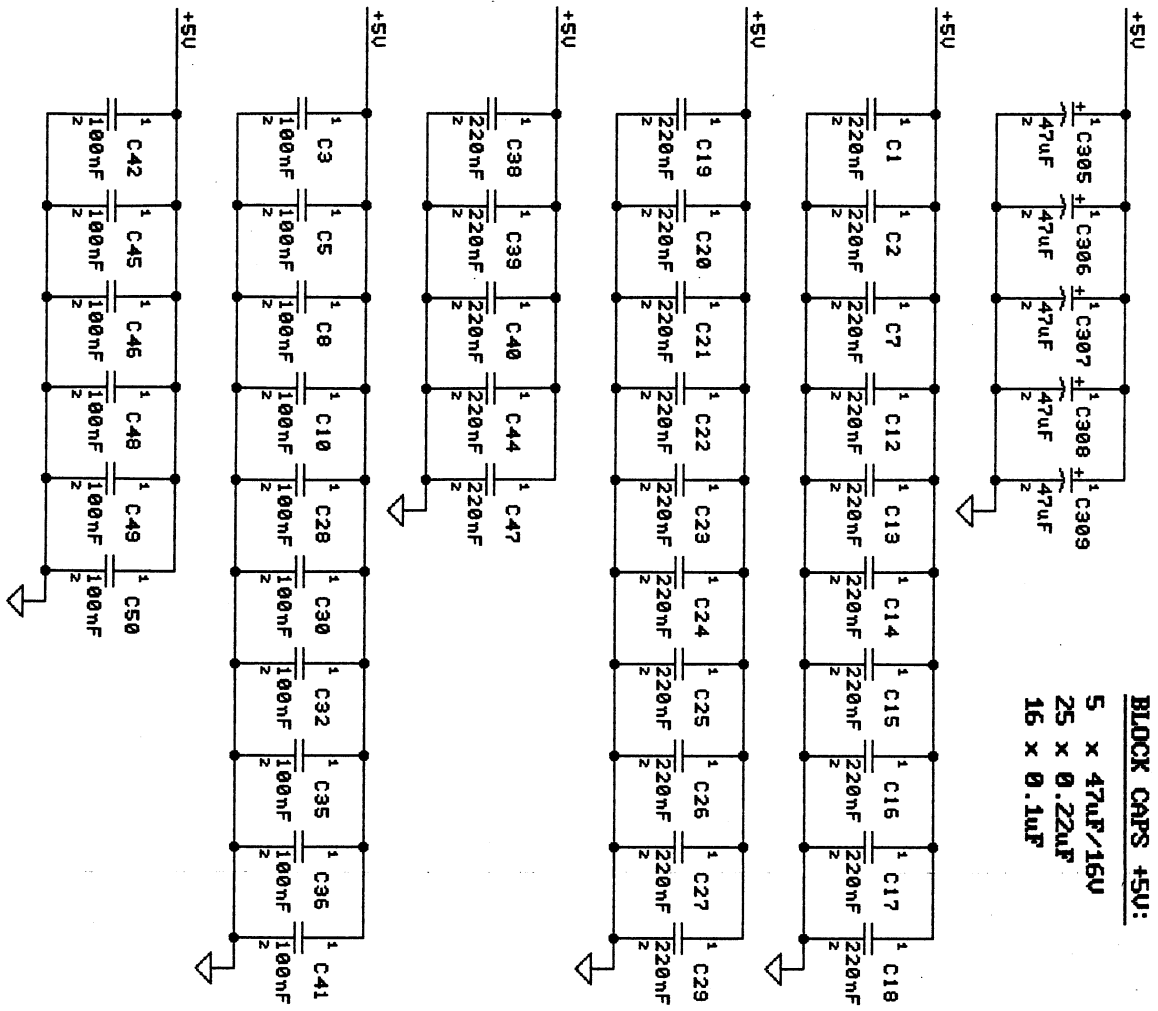
Schematic diagram



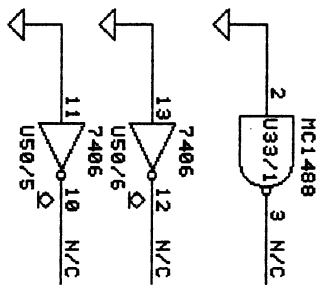
- NOTES:**
- 1) JU1 CONNECTS SHIELD TO GND IF NECESSARY. IF NO WIRE JUMPER IS INSTALLED, A RESISTOR >=100K SHOULD BE PROVIDED INSTEAD FOR STATIC DISCHARGE
 - 2) L1 NORMALLY SUBSTITUTED BY A WIRE JUMPER

CONNECTORS #2

Schematic diagram

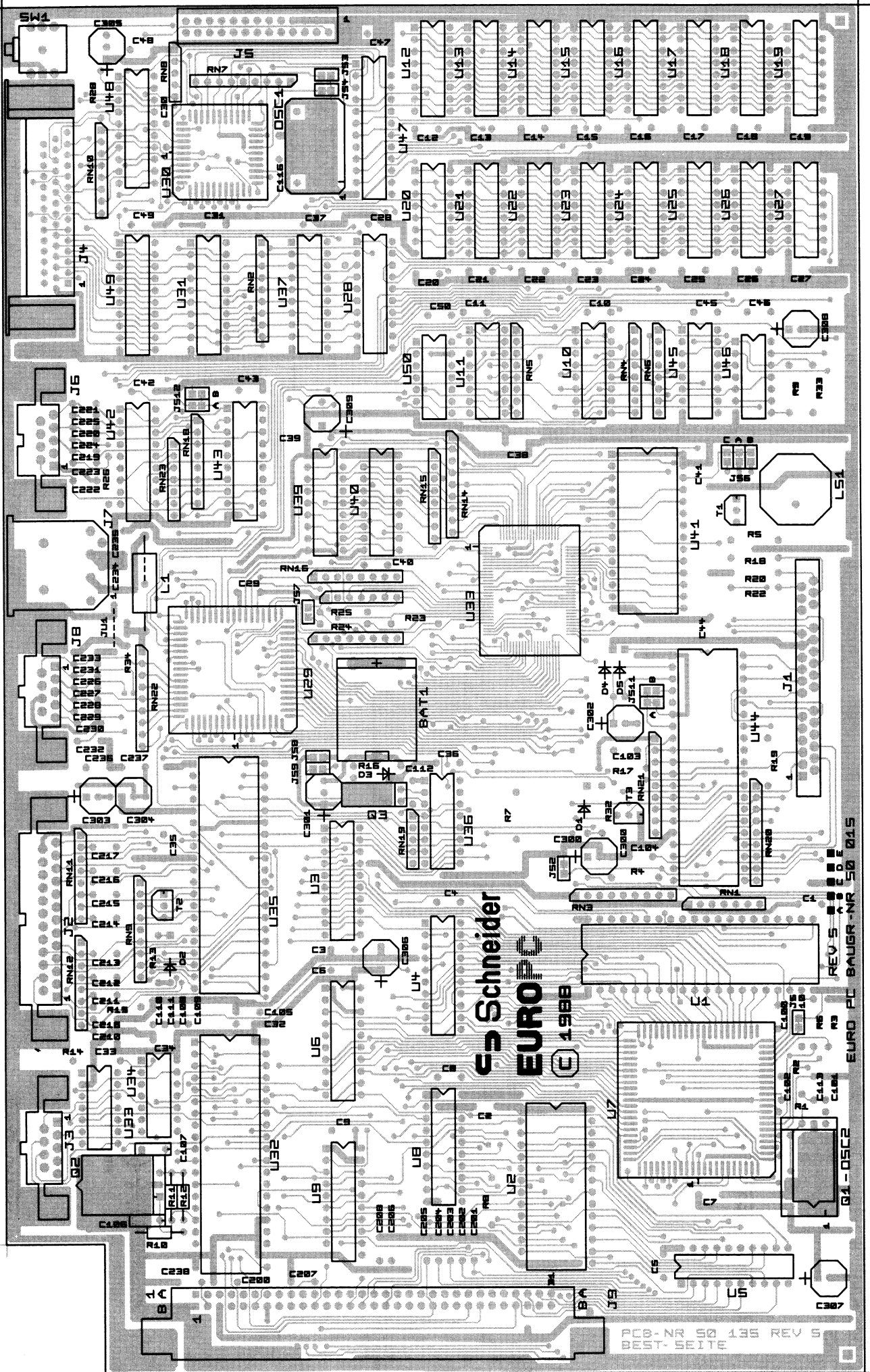


SPARE GATES:



BLOCK CAPS, SPARE GATES

Component side

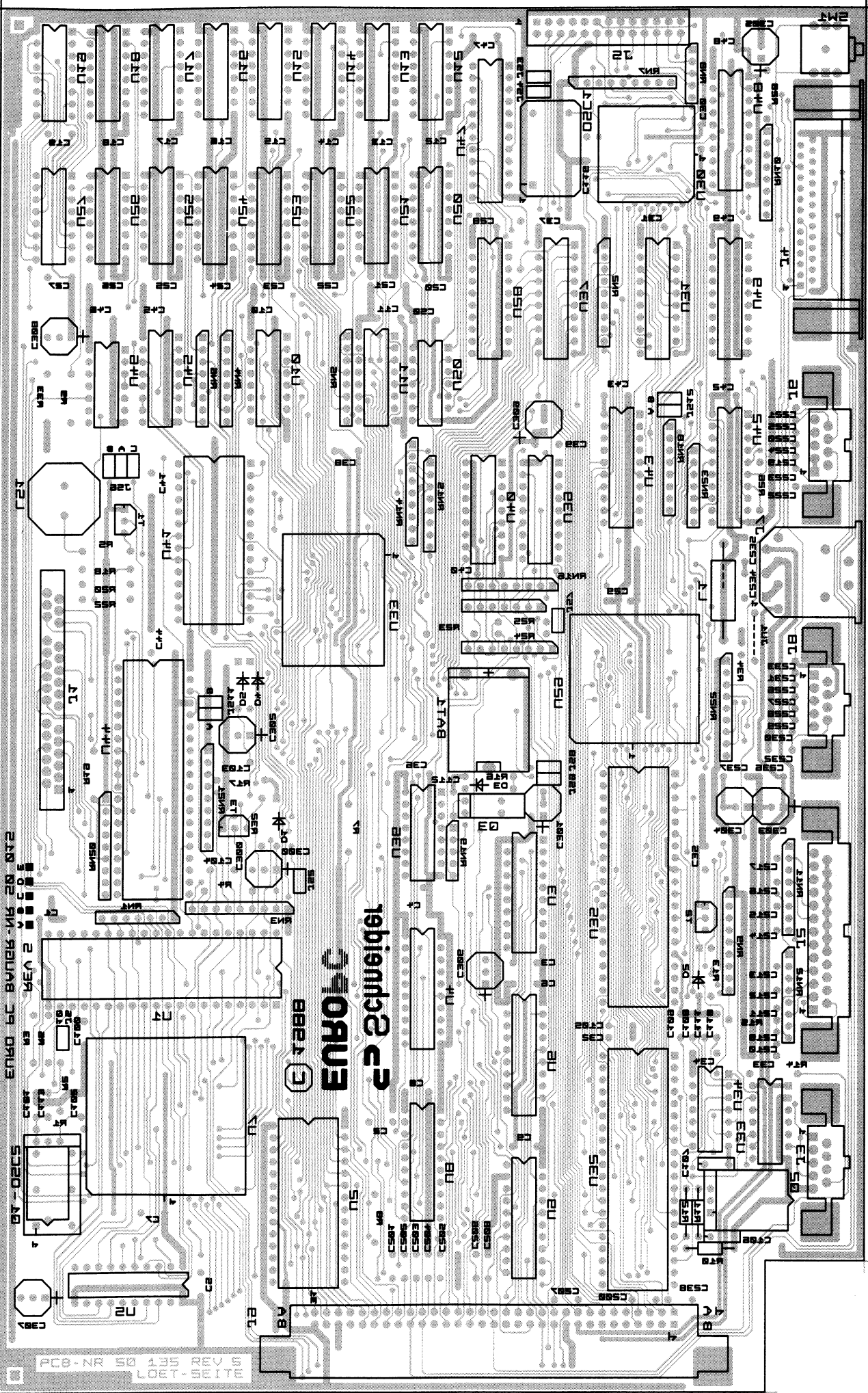


Schneider
EURO PC
© 1988

REV. S 01.05.88
EURO PC BAUGR-NR 50 015

PC8-NR 50 135 REV 5
BEST-SEITE

Soldering side



Ersatzteile für Systemeinheit Euro PC
Parts List for System Unit Euro PC

Best.-Nr. Part. No.	Bezeichnung	Description	Zeich.-Pos. Ref.-No.	Preisgruppe
IC				
50 100 00	IC SAB 80 88-1-P	IC SAB 80 88-1-P	U1	C9
50 111 00	IC 27256-17	IC 27256-17	U2	C9
40 963 00	IC 74F245	IC 74F245	U3	A7
50 130 00	IC 74LS373	IC 74LS373	U4-U6	A7
50 103 00	IC FE2010A-ES	IC FE201A-ES	U7	E3
26 354 00	IC 74LS244	IC 74LS244	U8, U9	B0
50 127 00	IC 74LS158	IC 74LS158	U10, U11	A7
50 109 00	IC 41256-12	IC 41256-12	U12-U27	D0
40 963 00	IC 74F245	IC 74F245	U28	A7
50 101 100	IC JIM TC17G022AT	IC JIM TC17G022AT	U29	D0
50 105 00	IC WD37C65A-JM00	IC WB37C65A-JM00	U30	D5
34 772 00	IC 74LS245	IC 74LS245	U31	B0
50 107 00	IC WD8250-PL00	IC WD8250-PL00	U32	C4
50 120 00	IC MC1488P	IC MC1488P	U33	A5
50 121 00	IC MC1489P	IC MC1489P	U34	A5
50 106 00	IC PPC1	IC PPC1	U35	C3
50 108 00	IC M3002	IC M3002	U36	C3
34 772 00	IC 74LS245	IC 74LS245	U37	B0
50 104 00	IC PVC4	IC PVC4	U38	E5
50 110 00	IC 41464-12	IC 41464-12	U39, U40	D4
50 113 00	IC 27PC64-20	IC 27PC64-20	U41	C3
26 354 00	IC 74LS244	IC 74LS244	U42	B0
50 125 00	IC 74HC373	IC 74HC373	U43	A7
50 102 00	IC MC6805U2	IC MC6805U2	U44	C3
50 127 00	IC 74LS158	IC 74LS158	U45	A7
40 918 00	IC 74F00	IC 74F00	U46	A5
50 119 00	IC PAL20L8A	IC PAL20L8A	U47	C2
26 354 00	IC 74LS244	IC 74LS244	U48	B0
34 772 00	IC 74LS245	IC 74LS245	U49	B0
15 241 00	IC 7406	IC 7406	U50	A7

Ersatzteile für Systemeinheit Euro PC
Parts List for System Unit Euro PC

Best.-Nr. Part. No.	Bezeichnung	Description	Zeich.-Pos. Ref.-No.	Preisgruppe
Verschiedenes/Miscellaneous				
10 801 00	Transistor BC327B		T1	A6
10 802 00	Transistor BC337B		T2,T3	A6
11 241 00	Diode 1IV4148		D1-D5	A2
44 671 00	Quarz 28,636 MHz HC-18U		Q1	C3
44 672 00	Quarz 1,8432 MHz HC-18U		Q2	B5
44 673 00	Quarz 32,768 kHz		Q3	A7
44 674 00	Oszillator 16 MHz		OSC1	C3
44 675 00	Widerstand/Netzwerk 6×4K7	R, Network 6×4K7	RN1	A3
44 676 00	Widerstand/Netzwerk 8×4K7	R, Network 8×4K7	RN2, RN3	A3
44 677 00	Widerstand/Netzwerk 4×68R	R, Network 4×68R	RN4, RN6	A3
44 676 00	Widerstand/Netzwerk 8×4K7	R, Network 8×4K7	RN7	A3
44 678 00	Widerstand/Netzwerk 4×1K	R, Network 4×1K	RN8	A3
44 676 00	Widerstand/Netzwerk 8×4K7	R, Network 8×4K7	RN9	A3
44 677 00	Widerstand/Netzwerk 4×68R	R, Network 4×68R	RN10	A3
44 679 00	Widerstand/Netzwerk 4×33R	R, Network 4×33R	RN11, RN12	A3
44 680 00	Widerstand/Netzwerk 6×33K	R, Network 6×33K	RN13	A3
44 681 00	Widerstand/Netzwerk 8×33K	R, Network 8×33K	RN14	A3
44 677 00	Widerstand/Netzwerk 4×68R	R, Network 4×68R	RN15-RN17	A3
44 679 00	Widerstand/Netzwerk 4×33R	R, Network 4×33R	RN18	A3
44 682 00	Widerstand/Netzwerk 4×2K2	R, Network 4×2K2	RN19	A3
44 683 00	Widerstand/Netzwerk 8×100K	R, Network 8×100K	RN20	A3
44 684 00	Widerstand/Netzwerk 8×10K	R, Network 8×10K	RN21, RN22	A3
44 685 00	Widerstand/Netzwerk 6×680K	R, Network 6×680K	RN23	A3
44 686 00	PTC PCL 0250.0	PTC PCL 0250.0	R34	A9
44 687 00	Spule 1 µH	Coil 1 µH	L1	A7
44 688 00	Schalter 2 × Um	Switch	SW1	B0
44 689 00	Batterie 3,6 V	Battery 3.6 V	BAT1	B9
44 690 00	Piepser	Busser	LS1	A9
50 137 00	Stecker FPC 30 pol.	Socket FPC	J1	B5
50 133 00	Buchse SUB-D 25 pol.	Socket SUB-D	J2	B2
50 131 00	Stecker SUB-D 9 pol.	Socket SUB-D	J3, J8	A9
50 134 00	Buchse HDD22 44 pol.	Socket HDD 22	J4	C7
50 139 00	Stift sterker 2×13 pol.	Socket	J5	A7
50 132 00	Buchse SUB-D 9 pol.	Socket SUB-D	J6	B0
50 140 00	Buchse DIN 7 pol.	Jack DIN	J7	A8
50 138 00	Stecker 2 × 31 pol.	Socket	J9	C1

25polige SUB-D für Externe Floppy Drives

Pin	Signal
1	Index
2	Motor ON 0
3	Drive Select 1
4	Drive Select 0
5	Motor ON 1
6	Direction
7	Step
8	Write Data
9	Write Gate
10	Track 00
11	Write Protect
12	Read Data
13	Side 1 Select
14	+5V
15	+5V
16	+5V
17	NC (+5V)
18	Power ON
19	GND
20	GND
21	GND
22	GND
23	GND
24	GND
25	GND

25polige SUB-D für Interne Floppy Drives

Pin	Signal
2	Index
4	Motor ON 0
6	Drive Select 1
8	Drive Select 0
10	Motor ON 1
12	Direction
14	Step
16	Write Data
18	Write Gate
20	Track 00
22	Write Protect
24	Read Data
26	Side 1 Select
1	+5V
3	+5V
5	+5V
7	+5V
9	NC (+5V)
11	Power ON
13	GND
15	GND
17	GND
19	GND
21	GND
23	GND
25	GND

Bitte bei Ersatzteilbestellung die genaue Bezeichnung und Ident-Nr. (siehe Typenschild) des Gerätes sowie Bestell-Nummer und Positions-Nummer des Ersatzteils angeben.

For ordering of spare parts please state exact description and ident.-no. of unit (see silver rating label on the backside of unit) as well as part no. and position no. of required spare parts.

Benutzen Sie:

Telex: 531516

oder



* 317298 #

oder

Telefax: 08245/51326