



Ersatzteilliste CPC 6128 Micro Computer
 Parts List for Model CPC 6128 Micro Computer

Best.-Nr. Part.-No.	Bezeichnung/Description	Teile-Nr. Part.-No.	Zeich.-Pos. Ref.-No.	
2987400-424	Gehäuse Oberteil	Cabinet Top Plate, Decoration Plate, Color Plate, Brand Frame, FDD	702KPA0059 7230000963 7230000964 7232530011 761KSA0065	101
2977500-4281	Knopf, Dreh	Knob, Volume	732KPA0061	102
2987500-423	Gehäuse Boden	Cabinet, Bottom Leg Rubber Sheet, Rating Plate, Shield Top Spring, Earth Plate, Shield Right Plate, Shield Left Plate, PVC Plate, Shield Bottom	702KPA0061 704JRA0003 7222530011 753KSA0004 753KEA0002 752KSA0049 753KSA0048 752KBA0006 753KSA0003	104 105
	Schraube	Screw, Bind 3x6	8102230605	201
	Schraube	Screw, Bind 3x10 black	8102230A02	202
	Schraube	Screw, Tapping 4x12	8117340A14	203
	Schraube	Screw, Tap Tite 3x8	8110630804	204
	Schraube	Screw, Tap Tite 3x12	8110630A24	205
	Schraube	Screw, Tap Tite 3x8	8110630804	206
		Earth Lug	901B040000	207
	Folienbeutel	Poly Bag Set	791KHA0021	
	Folienbeutel	Poly Bag	791KHA0032	
2987600-213	Styropor CPC 6128	Package, Right	792KHA0056	
2987700-213	Styropor CPC 6128	Package, Left	792KHA0057	
2987800-212	FK CPC 6128	Gift Box	793KCD0139	

Ersatzteilliste CPC 6128 Micro Computer
Parts List for Model CPC 6128 Micro Computer

Kondensatoren/Capacitors

Bezeichnung Description			Teile-Nr. Part.-No.	Zeich.-Pos. Ref.-No.
CC DD307-630F-104Z16	0.1	μF 16V	C63BB0215Z	C101
CC DD307-630F104Z16	0.1	μF 16V	C63BB0215Z	C103
CC DD307-630F104Z16	0.1	μF 16V	C63BB0215Z	C104
CC DD307-630F104Z16	0.1	μF 16V	C63BB0215Z	C105
CC DD307-630F104Z16	0.1	μF 16V	C63BB0215Z	C106
CC DD307-630F104Z16	0.1	μF 16V	C63BB0215Z	C107
CC DD307-630F104Z16	0.1	μF 16V	C63BB0215Z	C108
CC DD307-630F104Z16	0.1	μF 16V	C63BB0215Z	C109
CC DD307-630F104Z16	0.1	μF 16V	C63BB0215Z	C110
CC DD307-630F104Z16	0.1	μF 16V	C63BB0215Z	C111
CC DD307-630F104Z16	0.1	μF 16V	C63BB0215Z	C112
CC DD307-630F104Z16	0.1	μF 16V	C63BB0215Z	C113
CC DD307-630F104Z16	0.1	μF 16V	C63BB0215Z	C114
CC DD307-630F104Z16	0.1	μF 16V	C63BB0215Z	C115
CC DD307-630F104Z16	0.1	μF 16V	C63BB0215Z	C116
CC DD307-630F104Z16	0.1	μF 16V	C63BB0215Z	C117
CC DD307-630F104Z16	0.1	μF 16V	C63BB0215Z	C118
CC DD307-630F104Z16	0.1	μF 16V	C63BB0215Z	C119
CC DD307-630F104Z16	0.1	μF 16V	C63BB0215Z	C120
CC DD307-630F104Z16	0.1	μF 16V	C63BB0215Z	C121
CC DD307-630F104Z16	0.1	μF 16V	C63BB0215Z	C122
CC DD307-630F104Z16	0.1	μF 16V	C63BB0215Z	C123
CC DD307-630F104Z16	0.1	μF 16V	C63BB0215Z	C124
CC DD307-630F104Z16	0.1	μF 16V	C63BB0215Z	C125
CC DD307-630F104Z16	0.1	μF 16V	C63BB0215Z	C126
CC DD307-630F104Z16	0.1	μF 16V	C63BB0215Z	C127
CC DD307-630F104Z16	0.1	μF 16V	C63BB0215Z	C128
CC DD307-630F104Z16	0.1	μF 16V	C63BB0215Z	C129
CC DD307-630F104Z16	0.1	μF 16V	C63BB0215Z	C130
CC DD307-210F104Z16	0.1	μF 16V	C63B20215Z	C131
CC DD307-210F104Z16	0.1	μF 16V	C63B20215Z	C132
CC DD307-210F104Z16	0.1	μF 16V	C63B20215Z	C133
CC DD307-210F104Z16	0.1	μF 16V	C63B20215Z	C134
CC DD307-630F104Z16	0.1	μF 16V	C63BB0215Z	C135
CE 10TWMS470MKC	47	μF 10V	EOB1F1470M	C136
CC DD340665CH150K50	15	PF 50V NPO	COBBCH4E1K	C137
CC DD340665CH150K50	15	PF 50V NPO	COBBCH4E1K	C138
CC DD350665CH470K50	47	PF 50V NPO	COBBCH4Q1K	C142
CC DD360665SL221K50	220	PF 50V SL	COBBSL4H2K	C143
CC DD360665SL221K50	220	PF 50V SL	COBBSL4H2K	C144
CC DD360665SL221K50	220	PF 50V SL	COBBSL4H2K	C145
CC DD360665SL221K50	220	PF 50V SL	COBBSL4H2K	C146
CC DD360665SL221K50	220	PF 50V SL	COBBSL4H2K	C147
CC DD360665SL221K50	220	PF 50V SL	COBBSL4H2K	C148
CC DD360665SL221K50	220	PF 50V SL	COBBSL4H2K	C149
CC DD360665SL221K50	220	PF 50V SL	COBBSL4H2K	C150
CC DD360665SL221K50	220	PF 50V SL	COBBSL4H2K	C151
CC DD307-630F104Z16	0.1	μF 16V	C63BB0215Z	C201
CC DD307-630F104Z16	0.1	μF 16V	C63BB0215Z	C202
CC DD307-630F104Z16	0.1	μF 16V	C63BB0215Z	C203
CC DD307-630F104Z16	0.1	μF 16V	C63BB0215Z	C204
CC DD307-630F104Z16	0.1	μF 16V	C63BB0215Z	C205
CC DD307-630F104Z16	0.1	μF 16V	C63BB0215Z	C206
CC DD307-630F104Z16	0.1	μF 16V	C63BB0215Z	C207
CC DD307-630F104Z16	0.1	μF 16V	C63BB0215Z	C208
CC DD307-630F104Z16	0.1	μF 16V	C63BB0215Z	C209
CC DD307-630F104Z16	0.1	μF 16V	C63BB0215Z	C210
CC DD307-630F104Z16	0.1	μF 16V	C63BB0215Z	C211
CC DD307-630F104Z16	0.1	μF 16V	C63BB0215Z	C212
CC DD307-630F104Z16	0.1	μF 16V	C63BB0215Z	C213
CE 10TWMS101MKC	100	μF 10V	EOB1F1101M	C301
CP 50F22683KFC05	0.068	μF 50V	P1E510683K	C302
CE 10TWMS470MKC	47	μF 10V	EOB1F1470M	C303
CE 10TWMS101MKC	100	μF 10V	EOB1F1101M	C304
CP 50F22103KFC05	0.01	μF 50V	P1E510103K	C305
CE 10TWMS470MKC	47	μF 10V	EOB1F1470M	C306
CC DD380665SL471K50	470	PF 50V SL	COBBSL4Q2K	C307
GE 10TWMS220MKC	22	μF 10V	EOB1F1220M	C308
CE 50TWMS010MKC	1	μF 50V	EOB1F5010M	C309
CC DD360665SL221K50	220	PF 50V SL	COBBSL4H2K	C310
CE 50TWMS010MKC	1	μF 50V	EOB1F5010M	C311
CP 50F22102KFC05	0.001	μF 50V	P1E510102K	C312
CC DD360665SL271K50	270	PF 50V SL	COBBSL4K2K	C313
CE 50NW010MKC	1	μF 50V	EOBEF5010M	C314
CE 16TWMS101MKC	100	μF 16V	EOB1F2101M	C315
CE 50TWMS010MKC	1	μF 50V	EOB1F5010M	C316
CE 50TWMS010MKC	1	μF 50V	EOB1F5010M	C317
CP 50F22473KFC05	0.047	μF 50V	P1E510473K	C318
CP 50F22104KFC05	0.0	μF 50V	P1E510104K	C319
CP 50F22104KFC05	0.0	μF 50V	P1E510104K	C320

Ersatzteilliste CPC 6128 Micro Computer
Parts List for Model CPC 6128 Micro Computer

Widerstände / Resistors

Bezeichnung Description			Teile-Nr. Part.-No.	Zeich.-Pos. Ref.-No.
RC NAS 1/4W-335J	3.3M	OM 1/4 W	ROD1H4335J	R101
RC NAS 1/4W-222J	2.2K	OM 1/4W	ROD1H4222J	R102
RC NAS 1/4W-222J	2.2K	OM 1/4W	ROD1H4222J	R109
RC NAS 1/4W-222J	2.2K	OM 1/4W	ROD1H4222J	R110
RC NAS 1/4W-105J	1.0M	OM 1/4W	ROD1H4105J	R111
RC NAS 1/4W-222J	2.2K	OM 1/4W	ROD1H4222J	R112
RC NAS 1/4W-102J	1.0K	OM 1/4W	ROD1H4102J	R113
RC NAS 1/4W-103J	10 K	OM 1/4W	ROD1H4103J	R114
RC NAS 1/4W-103J	10 K	OM 1/4W	ROD1H4103J	R115
RC NAS 1/4W-103J	10 K	OM 1/4W	ROD1H4103J	R116
RC NAS 1/4W-103J	10 K	OM 1/4W	ROD1H4103J	R117
RC NAS 1/4W-223J	22 K	OM 1/4W	ROD1H4223J	R118
RC NAS 1/4W-223J	22 K	OM 1/4W	ROD1H4223J	R119
RC NAS 1/4W-103J	10 K	OM 1/4W	ROD1H4103J	R120
RC NAS 1/4W-102J	1.0K	OM 1/4W	ROD1H4102J	R121
RC NAS 1/4W-102J	1.0K	OM 1/4W	ROD1H4102J	R122
RC NAS 1/4W-102J	1.0K	OM 1/4W	ROD1H4102J	R123
RC NAS 1/4W-152J	1.5K	OM 1/4W	ROD1H4152J	R124
RC NAS 1/4W-681J	680	OM 1/4W	ROD1H4681J	R125
RC NAS 1/4W-271J	270	OM 1/4W	ROD1H4271J	R126
RC NAS 1/4W-681J	680	OM 1/4W	ROD1H4681J	R127
RC NAS 1/4W-271J	270	OM 1/4W	ROD1H4271J	R128
RC NAS 1/4W-681J	680	OM 1/4W	ROD1H4681J	R129
RC NAS 1/4W-271J	270	OM 1/4W	ROD1H4271J	R130
RC NAS 1/4W-332J	3.3K	OM 1/4W	ROD1H4332J	R131
RC NAS 1/4W-102J	1.0K	OM 1/4W	ROD1H4102J	R132
RC NAS 1/4W-103J	10 K	OM 1/4W	ROD1H4103J	R133
RC NAS 1/4W-181J	180	OM 1/4W	ROD1H4181J	R134
RC NAS 1/4W-681J	680	OM 1/4W	ROD1H4681J	R135
RC NAS 1/4W-151J	150	OM 1/4W	ROD1H4151J	R136
RC NAS 1/4W-221J	220	OM 1/4W	ROD1H4221J	R137
RC NAS 1/4W-102J	1.0K	OM 1/4W	ROD1H4102J	R140
RC NAS 1/4W-820J	82	OM 1/4W	ROD1H4820J	R141
RC NAS 1/4W-103J	10 K	OM 1/4W	ROD1H4103J	R142
RC NAS 1/4W-106J	10 M	OM 1/4W	ROD1H4106J	R143
RC NAS 1/4W-472J	4.7K	OM 1/4W	ROD1H4472J	R144
RC NAS 1/4W-106J	10 M	OM 1/4W	ROD1H4106J	R145
RC NAS 1/4W-470J	47	OM 1/4W	ROD1H4470J	R146
RC NAS 1/4W-470J	47	OM 1/4W	ROD1H4470J	R147
RC NAS 1/4W-470J	47	OM 1/4W	ROD1H4470J	R148
RC NAS 1/4W-470J	47	OM 1/4W	ROD1H4470J	R149
RC NAS 1/4W-470J	47	OM 1/4W	ROD1H4470J	R150
RC NAS 1/4W-470J	47	OM 1/4W	ROD1H4470J	R151
RC NAS 1/4W-470J	47	OM 1/4W	ROD1H4470J	R152
RC NAS 1/4W-470J	47	OM 1/4W	ROD1H4470J	R153
RC NAS 1/4W-560J	56	OM 1/4W	ROD1H4560J	R155
RC NAS 1/4W-681J	680	OM 1/4W	ROD1H4681J	R157
RC NAS 1/4W-681J	680	OM 1/4W	ROD1H4681J	R158
RC NAS 1/4W-470J	47	OM 1/4W	ROD1H4470J	R160
RC NAS 1/4W-470J	47	OM 1/4W	ROD1H4470J	R161
RC NAS 1/4W-102J	1.0K	OM 1/4W	ROD1H4102J	R211
RC NAS 1/4W-102J	1.0K	OM 1/4W	ROD1H4102J	R212
RC NAS 1/4W-222J	2.2K	OM 1/4W	ROD1H4222J	R214
RC NAS 1/4W-102J	1.0K	OM 1/4W	ROD1H4102J	R216
RC NAS 1/4W-103J	10 K	OM 1/4W	ROD1H4103J	R217
RC NAS 1/4W-681J	680	OM 1/4W	ROD1H4681J	R301
RC NAS 1/4W-473J	47 K	OM 1/4W	ROD1H4473J	R302
RC NAS 1/4W-473J	47 K	OM 1/4W	ROD1H4473J	R303
RC NAS 1/4W-223J	22 K	OM 1/4W	ROD1H4223J	R304
RC NAS 1/4W-223J	22 K	OM 1/4W	ROD1H4223J	R305
RC NAS 1/4W-560J	56	OM 1/4W	ROD1H4560J	R306
RC NAS 1/4W-473J	47 K	OM 1/4W	ROD1H4473J	R307
RC NAS 1/4W-183J	18 K	OM 1/4W	ROD1H4183J	R308
RC NAS 1/4W-103J	10 K	OM 1/4W	ROD1H4103J	R309
RC NAS 1/4W-472J	4.7K	OM 1/4W	ROD1H4472J	R310
RC NAS 1/4W-183J	18 K	OM 1/4W	ROD1H4183J	R311
RC NAS 1/4W-103J	10 K	OM 1/4W	ROD1H4103J	R312
RC NAS 1/4W-102J	1.0K	OM 1/4W	ROD1H4102J	R313
RC NAS 1/4W-474J	470K	OM 1/4W	ROD1H4474J	R314
RC NAS 1/4W-102J	1.0K	OM 1/4W	ROD1H4102J	R315
RC ERD 1/4W-101B	100	OM 1/2W	ROD1K2101J	R316
RC NAS 1/4W-561J	560	OM 1/4W	ROD1H4561J	R317
RC NAS 1/4W-473J	47 K	OM 1/4W	ROD1H4473J	R319
RC NAS 1/4W-473J	47 K	OM 1/4W	ROD1H4473J	R320
RC NAS 1/4W-102J	1.0K	OM 1/4W	ROD1H4102J	R321
R, FUSE RF25SJL 4R7	4.7	OM 1/4W	R635844R7J	R322
RC NAS 1/4W-472J	4.7K	OM 1/4W	ROD1H4472J	R323

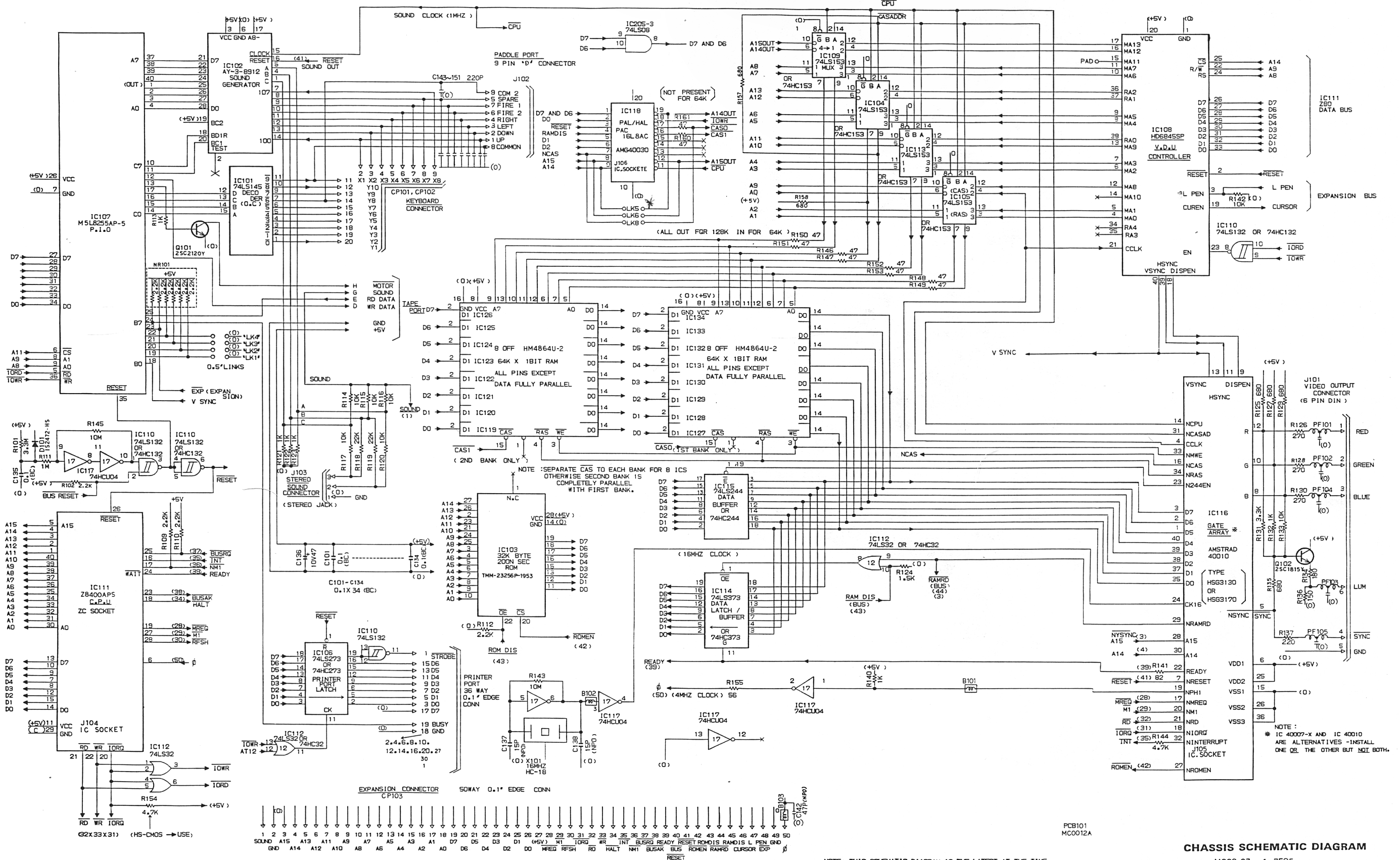
Ersatzteilliste CPC 6128 Micro Computer
Parts List for Model CPC 6128 Micro Computer

Best.-Nr. Part.-No.	Bezeichnung/Description	Teile-Nr. Part.-No.	Zeich.-Pos. Ref.-No.
IC			
2634400-302	IC HD 74LS145	I64DLS1450	IC 101
2634500-302	IC AY-3-8912	I4TD389120	IC 102
2986900-302	IC TMM-23256P-1953 ROM	I45D400250	IC 103
2634700-302	IC HD 74LS153	I64DLS1530	IC 104
2634700-302	IC HD 74LS153	I64DLS1530	IC 105
2634800-302	IC HD 74LS273	I64DLS2730	IC 106
2634500-302	IC M5L 8255AP-5 P I/O	I46D8255A5	IC 107
2635000-302	IC HD 6845SP Videocontroller	I44D06845S	IC 108
2634700-302	IC HD 74LS153	I64DLS1530	IC 109
2635100-302	IC HD 74LS132	I64DLS1320	IC 110
2635200-302	IC Z 8400APS Mikroprozessor Z-80-A	I4SD00Z80A	IC 111
2922600-302	IC HD 74LS32	I64D4LS320	IC 112
2634700-302	IC HD 74LS153	I64DLS1530	IC 113
2635300-302	IC HD 74LS373	I64DLS3730	IC 114
2635400-302	IC HD 74LS244	I63DLS2440	IC 115
2981500-302	IC HSG 3130/3170 Gate Array	I8WDG31300	IC 116
2981600-302	IC TC 74HCU04P	I55DHCU04D	IC 117
2986300-302	IC PAL 16LBAC	I4XD400300	IC 118
2635600-302	IC MSM 3764-20RS RAM	I49D03764D	IC 119
2635600-302	IC MSM 3764-20RS RAM	I49D03764D	IC 120
2635600-302	IC MSM 3764-20RS RAM	I49D03764D	IC 121
2635600-302	IC MSM 3764-20RS RAM	I49D03764D	IC 122
2635600-302	IC MSM 3764-20RS RAM	I49D03764D	IC 123
2635600-302	IC MSM 3764-20RS RAM	I49D03764D	IC 124
2635600-302	IC MSM 3764-20RS RAM	I49D03764D	IC 125
2635600-302	IC MSM 3764-20RS RAM	I49D03764D	IC 126
2635600-302	IC MSM 3764-20RS RAM	I49D03764D	IC 127
2635600-302	IC MSM 3764-20RS RAM	I49D03764D	IC 128
2635600-302	IC MSM 3764-20RS RAM	I49D03764D	IC 129
2635600-302	IC MSM 3764-20RS RAM	I49D03764D	IC 130
2635600-302	IC MSM 3764-20RS RAM	I49D03764D	IC 131
2635600-302	IC MSM 3764-20RS RAM	I49D03764D	IC 132
2635600-302	IC MSM 3764-20RS RAM	I49D03764D	IC 133
2635600-302	IC MSM 3764-20RS RAM	I49D03764D	IC 134
2922000-302	IC UPD 765 AC-2	I45D765AC2	IC 201
2981700-302	IC FDC 9216 BT	I6UD092160	IC 202
2922200-302	IC SN 74 HC 240 N	I6CDHC2400	IC 203
2986400-302	IC TMM-23128P-1951 ROM	I45D231280	IC 204
2922400-302	IC DN 74LS08	I61D4LS080	IC 205
2922500-302	IC DN 74LS38	I61D4LS080	IC 206
2922600-302	IC DN 74LS32	I61D4LS320	IC 207
2922500-302	IC DN 74LS38	I61D4LS380	IC 208
2922800-302	IC DN 74LS136	I61DLS1360	IC 209
2635100-302	IC DN 74LS132	I61DLS1320	IC 210
2023000-302	IC DN 74LS27	I61D4LS270	IC 211
2923100-302	IC DN 74LS74	I61D4LS740	IC 212
2978100-302	IC TC 74HC161P	I55D0C1610	IC 213
2635800-302	IC LA 4140	I03SP41400	IC 301
2978200-302	IC LA 6358 S	I03S063580	IC 302
Transistoren /Transistors			
2635900-301	TRANSISTOR 2 SC 2120 Y	TC5G021204	Q 101
2173600-301	TRANSISTOR 2 SC 1815 Y	TC5G018154	Q 102
2173600-302	TRANSISTOR 2 SC 1815 Y	TC5G018154	Q 301
2173600-301	TRANSISTOR 2 SC 1815 Y	TC5G018154	Q 302
2661300-301	TRANSISTOR 2 SC 950 Y	TA5G009504	Q 303
Dioden /Diodes			
0807900-3041	DIODE 1 S 2472-HS	D17G024720	D 101
2923600-3041	DIODE DS 442XFA5	D13FDS442X	D 201
1123900-3041	DIODE 10 E1 FA 8 (1N4002)	D28G010E10	D 301
2174600-3045	LED SLP-1558	0021324050	D 302
0807900-304	DIODE 1 S 2472-HS	D17G024720	D 303
0807900-304	DIODE 1 S 2472-HS	D17G024720	D 304
Spulen und Transformatoren /Coils & Transformer			
2986500-3251	Filter	029A000008	L 301

Ersatzteilliste CPC 6128 Micro Computer
 Parts List for Model CPC 6128 Micro Computer

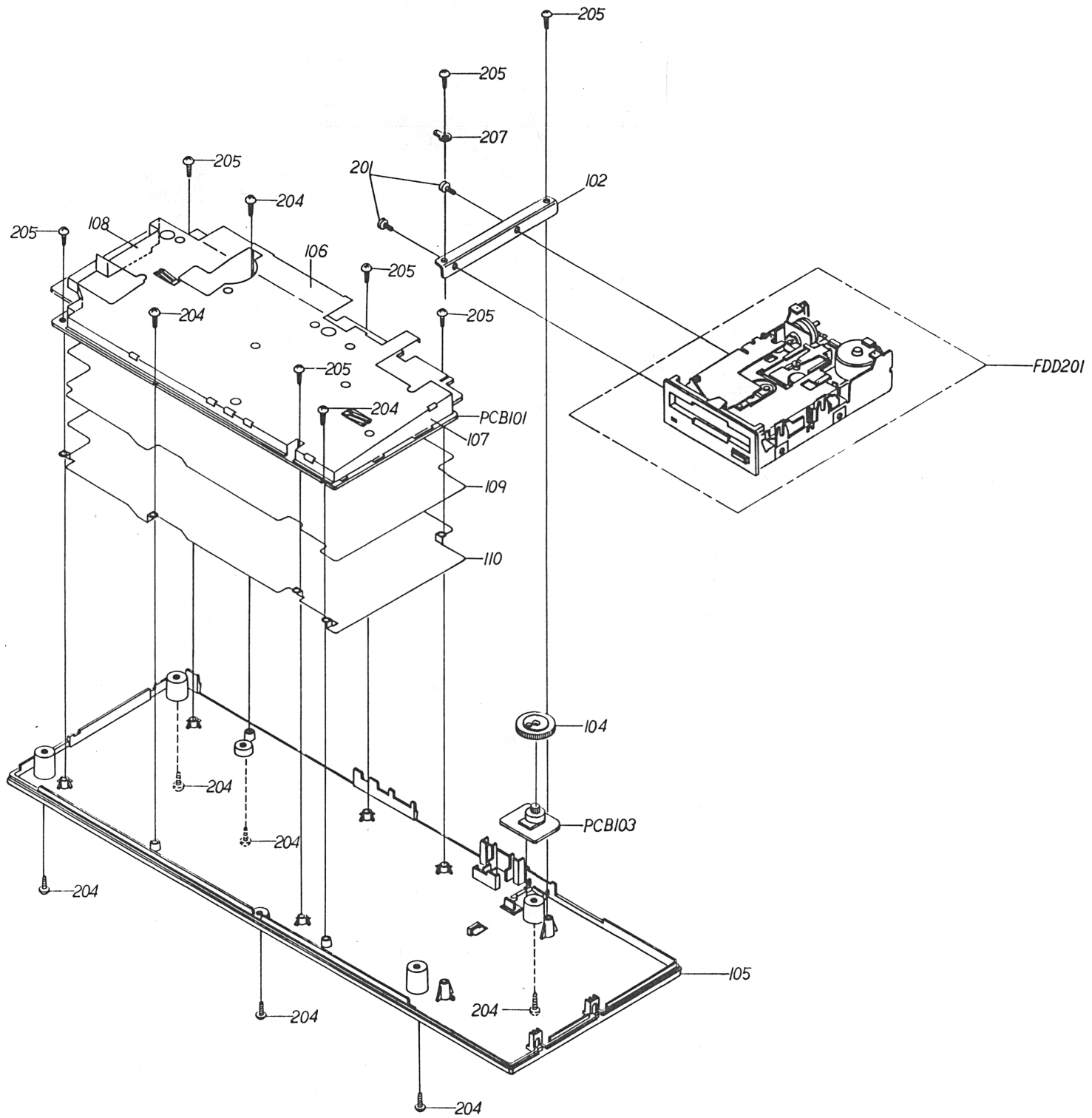
Best.-Nr. Part.-No.	Bezeichnung/Description		Teile-Nr. Part.-No.	Zeich.-Pos. Ref.-No.
Buchsen und Stecker /Jack & Connector				
2636400-3322	Buchse DIN / Jack DIN	TCS4460-01.1011	0622700001	J 101
2636500-3322	SocketDsub9/SocketDsub9	HXC0730-01-010	0632100002	J 102
2633600-3322	Buchse RCA 3,5/Jack 3,5	HSJ1061-01-440	0602111001	J 103
	IC-Sockel/IC-Socket	DIL B 40P-8J	0675140002	J 104
	IC-Sockel/IC-Socket	DIL B 40P-8J	0675140002	J 105
	IC-Sockel/IC-Socket	DIL B 20P-8J	0675120001	J 106
2636700-3323	Buchse DC/Jack DC	HEC0470-01-630	0602602001	J 301
2978300-3323	Buchse DIN/Jack DIN	TCS4450-01-101	0622750002	J 306
Schalter /Switches				
2987400-3276	Tastatur kompl./Keyboard	ESU-244	0506174009	SW 101
2636900-3274	Schiebeschalter/Switch,slide	ESD-3975	0530110001	SW 301
Potentiometer /Semi Fixed Resistor				
2978400-3221	Drehwiderstand/Volume rotaly	K121L0Z0T-20KB	V023024B05	VR 301
Patinen /PC Boards				
2986600-502	Hauptplatine/PCB	MC0012A	13MC0012A1	PCB 101
2986700-502	LED Platine /PCB	MC0010A	13MC0010A1	PCB 102
2986800-502	Potiplatine /PCB	MC0011A	13MC0011A1	PCB 103
Verschiedenes /Miscellaneous				
2637800-3259	Quarz / Crystal	HC 18-RW 16 MHz	100E16R003	X 101
2637700-680	Lautsprecher / Speaker	C040K01K2451	070B010002	SP 301
2637600-3284	Relais / Relay	G4S-1112P-1-B-19	0560750101	RY 301
2987000-926	Systemdisc 1	EBFCF2SS1L05	1421311000	CFD 101
2987100-926	Systemdisc 2	EBFCF2SS1M05	1421311100	CFD 102
2925000-502	Floppylaufwerk kompl./ Compact Floppy Disc Drive	EME - 150	160140002A	FDD 201
2987200-3219	Widerstand Netzwerk / R - Network	EXB-P86222J	1101622201	NR 101
2987300-3219	Widerstand Netzwerk / R - Network	EXB-P87681J	1101768001	NR 201

Schaltplan »CPC 6128«

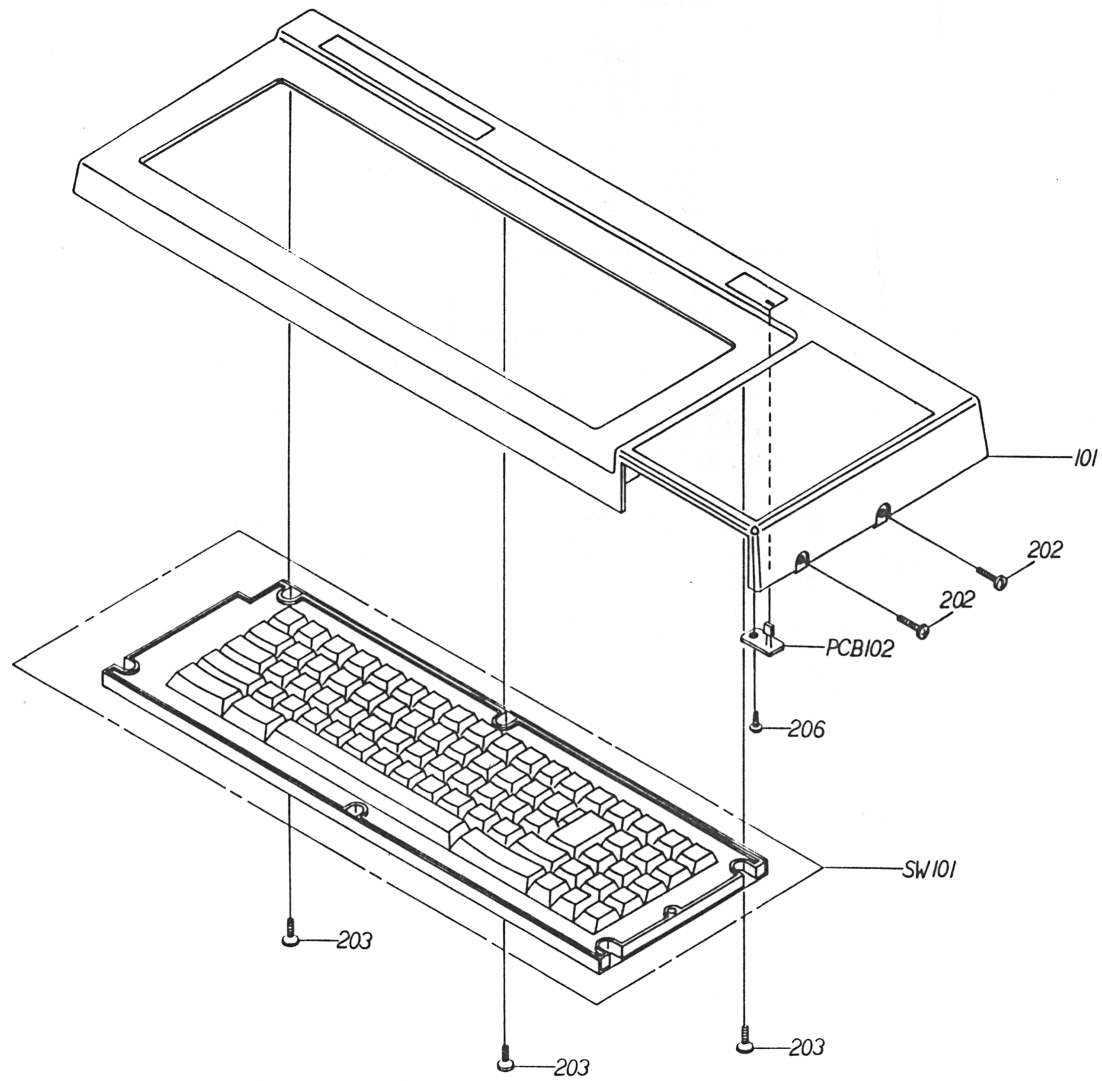


NOTE: THIS SCHEMATIC DIAGRAM IS THE LATEST AT THE TIME OF PRINTING AND SUBJECT TO CHANGE WITHOUT NOTICE.

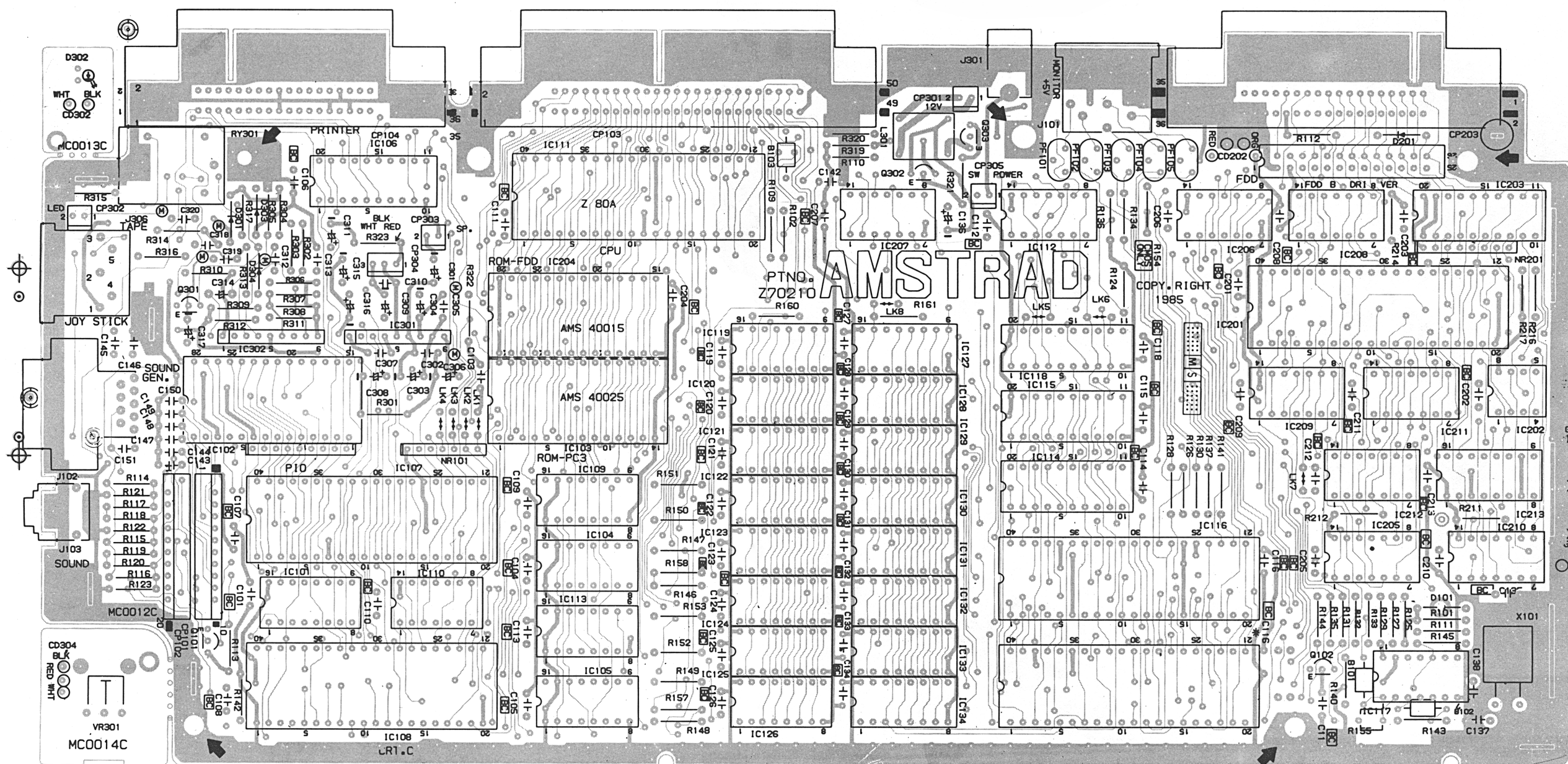
CHASSIS SCHEMATIC DIAGRAM
M208-03 1-3595

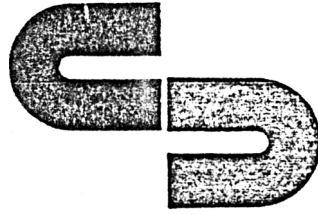


Explosionsdarstellung



Hauptplatine





Schneider Rundfunkwerke GmbH & Co Türkheim/Unterallgäu

Schneider Rundfunkwerke GmbH & Co · D-8939 Türkheim 1

Silvastraße 1
Postfach 120

Fernruf (082 45) 51-0
Fernschreiber 05 39 128

E R S A T Z T E I L L I S T E

GUELTIG AB 7.11.85

2717200-72100 MICRO COMPUTER CPC 6128

BLATT 1

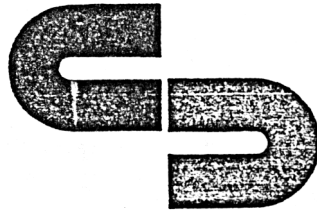
BEST-NUMMER	ARTIKELBEZEICHNUNG		ZEICH POS.	PREIS	
					0.MST
2937400-424	GEHAUSE OBERTEIL		702KPA0059	101	24,20
2937500-4281	KNOPE DRCH		732KPA0061	104	0,40
2937500-423	GEHAUSE UDEN		702KPA0061	105	12,70
3228700-3276	TASTATUR KPL. CPC 6128		0506174009	SW101	120,00
2636900-3274	SCHIEBESCHALTER	CS0 3975	0530110001	SW301	4,60
2936600-502	HAUPTPLATINE		13MCC0012A1	101	538,70
2936700-502	LEG PLATINE		13MCC0010A1	102	10,20
2936300-502	POTIPLATINE		13MCC0011A1	103	10,20
2933400-3221	DREHWIDERSTAND		V023024805	VR301	1,60
2636400-3322	BUCHSE DIN		0622700001	J101	2,20
2636500-3322	SOCKEL D SUB 9		0632100002	J102	3,00
3228300-3322	BUCHSE-RCA 3,5		0602111001	J103	1,20
2636700-3323	BUCHSE DC		0602602001	J301	1,50
2933300-3322	BUCHSE/DIN/TAPE		0622750002	J306	2,10
2637300-3059	QUARZ	HC-13/U 16MHZ	100E16R003	X101	6,50
2637700-680	LAUTSPRECHER	0040K01K2451	0703010002	SP301	4,80
2637600-3234	RELAIS	645-112P-1-319	0560750101	RY301	5,30
2937000-926	SYSTEMDISC 1		1421311000	101	20,50
2937100-926	SYSTEMDISC 2		1421311100	102	20,50
2925000-502	FLOPPY-LAUFWERK SME-15JA		160140002A	201	559,50
2937200-3219	WIDERSTAND NETZWERK		1101622201	NR101	0,60
2927300-3219	WIDERSTAND NETZWERK		1101768001	NR201	0,70
2634400-302	IC HD 74 LS 145		I64DLS1450	IC101	5,20
2634500-302	IC AY 3-3912		I4TD389120	IC102	19,00
2936900-302	IC THM 25256P 1953		I45D400250	IC103	65,00
2634700-302	IC HD 74 LS 153		I64DLS1530	IC104	3,60
2634800-302	IC HD 74 LS 273		I64DLS2730	IC106	7,40
2634900-302	IC M 5 L 3255 AP-5		I46D8255A5	IC107	21,00
2635000-302	IC HK 6345 SP		I44DC6845S	IC108	47,00
2634700-302	IC HD 74 LS 153		I64DLS1530	IC109	3,60
2635100-302	IC HD 74 LS 132		I64DLS1320	IC110	5,20
2635200-302	IC Z 3400 APS		I4SDG0Z80A	IC111	66,50
2922600-302	IC DN 74 LS 32		I64D4LS320	IC112	2,10
2634700-302	IC HD 74 LS 153		I64DLS1530	IC113	3,60
2635300-302	IC HD 74 LS 373		I64DLS3730	IC114	7,40

Banken · Banque
Dresdner Bank Augsburg, Konto 0106 609 200, BLZ 720 800 01
Poststcheckamt München, Konto 202 03-809, BLZ 700 100 80

Sparkasse Mindelheim, Konto 3 004, BLZ 731 517 50

Hypobank Türkheim, Konto 2 720 107 506, BLZ 731 219 47

Alle Geschäfte unterliegen unseren Verkaufsbedingungen
All business transactions are subject to our terms of selling. Toutes les transactions se basent sur nos conditions de vente.



Schneider Rundfunkwerke
GmbH & Co
Türkheim/Unterallgäu

Schneider Rundfunkwerke GmbH & Co · D-8939 Türkheim 1

Silvastraße 1
Postfach 120

Fernruf (082 45) 51-0
Fernschreiber 05 39 128

E R S A T Z T E I L L I S T E

GUELTIG AB 7.11.85

2717300-72100 MICRO COMPUTER CPC 6128

BLATT 2

BEST-NUMMER	ARTIKELBEZEICHNUNG		ZEICH PREIS	
			POS.	0.MST
2635400-302	IC HD 74 LS 244	I63DLS2440	IC115	7,80
2901500-302	IC HSG 3130/3170	I3WDG31300	IC116	95,00
2931600-302	IC TC 74 HCU0 4 P	I55DHCU040	IC117	2,60
2906300-302	IC PAL 16L8AC	I4X0400300	IC118	37,00
2635600-302	IC HI 4854 U-2	I49D037640	IC119	24,50
2922000-302	IC UPD 765 AC	I45D765AC2	IC201	58,00
2931700-302	IC FDC 0216 BT	I6UD092160	IC202	7,20
2922200-302	IC SN 74 HC 24 DN	I6CDHC2400	IC203	11,60
2986400-302	IC TIM 25123P-1951	I45D231280	IC204	37,00
2922400-302	IC DN 74 LS 08	I61D4LS080	IC205	2,10
2922500-302	IC DN 74 LS 32	I61D4LS080	IC206	2,10
2922600-302	IC DN 74 LS 32	I61D4LS320	IC207	2,10
2922500-302	IC DN 74 LS 32	I61D4LS380	IC208	2,10
2922300-302	IC DN 74 LS 136	I61DLS1360	IC209	3,30
2635100-302	IC HD 74 LS 132	I61DLS1320	IC210	5,20
2923000-302	IC DN 74LS27	I61D4LS270	IC211	2,00
2923100-302	IC DN 74 LS 74	I61D4LS740	IC212	2,70
2973100-302	IC TC 74 HC 161 P	I55DCC1610	IC213	5,50
2635800-302	IC LA 4140	I03SP41400	IC301	2,90
2973200-302	IC LA 6358 S	I03SC63580	IC302	2,30
2635900-301	TRANS KTC 2120 Y	TC5G021204	Q101	0,70
2173600-301	TRANS KTC 1815 Y	TC5G018154	Q102	0,50
2661300-301	TRANS KTA 950 Y	TA5G009504	Q303	0,60
0307900-304	DIODE 1 S 2472	D17G024720	D101	0,40
2923600-3041	DIODE DS 442 XFA5	D13FDS442X	D201	4,20
1123900-3041	DIODE 1 N 4002	D28G010E10	D301	4,80
2174600-3045	LEUCHTDIODE SLP 155 B	D021324050	D302	1,00
0307900-304	DIODE 1 S 2472	D17G024720	D303	0,40
0307900-304	DIODE 1 S 2472	D17G024720	D304	0,40
2906500-3251	FILTER	029A000008	L301	4,50
2937600-213	STYROPOR CPC 6128	792KHAC056		4,80
2987700-213	STYROPOR CPC 6128	792KHAC057		4,80
2937800-212	FK CPC 6123	793KCD0139		9,20

ORDER R 6755

Banken · Banque
Dresdner Bank Augsburg, Konto 0 106 609 200, BLZ 720 800 01 · Sparkasse Mindelheim, Konto 3004, BLZ 731 517 50 · Hypobank Türkheim, Konto 2 720 107 506, BLZ 731 219 47
Poststcheckamt München, Konto 202 03-809, BLZ 700 100 80

PREISAENDERUNGEN VORBEHALTEN

Alle Geschäfte unterliegen unseren Verkaufsbedingungen
All business transactions are subject to our terms of selling · Toutes les transactions se basent sur nos conditions de vente