

Ersatzteilliste CPC 664 Micro Computer
Parts List for Model CPC 664 Micro Computer

Best.-Nr. Part.-No.	Bezeichnung	Description	Teile-Nr. Part.-No.	Zeich.-Pos. Ref.-No.	
29 774 00-424	Gehäuse Oberteil	Cabinet, Top	702KPA0050	101	
		Plate, Color	7230000606	-	
		Plate	7230000894	-	
		Plate, Brand	7232530010	-	
		Cord Clamp	899P450000	102	
		Angle, Driver left	761KSE0022	103	
		Angle, Driver right	761KSE0023	104	
		Knob, Volume	732KPA0019	105	
		Bracket, Power Switch	761KSE0021	106	
		29 775 00-4281	Knopf, Dreh Winkel, Netzschalter	Cabinet, Bottom	702KPA0051
Sheet, Rating	7222530008			-	
29 777 00-423	Gehäuseboden	Screw, Pan	3×6	8102130605	201
		Screw, Tap Tite (P)	3×12	8110630A14	202
		Screw, Tap Tite (P)	3×8	8110630804	203
		Screw, Tapping BO	3×16	81171M2A34	204
		Screw, Tapping BO Flat	4×12	8117340A14	205
		Earth Lug	3.2 Ø	901B040000	206
			Sheet, No. P.C.B.	7241970001	-
			Poly Bag, Set	791KHA0021	-
			Poly Bag	791KHA0032	-
			Package, right	792KHA0050	-
29 778 00-213	Folienbeutel	Poly Bag	791KHA0032	-	
29 779 00-213	Styropor CPC 664	Package, right	792KHA0050	-	
29 780 00-212	FK CPC 664	Package, left	792KHA0051	-	
		Gift Box	793KCD0119	-	
		Sheet, 9×5×0.5 t	800KQ00041	-	
		Band, Cord Clamp	8995167000	-	
	Tastatur	Key Board Assembly			
	Taste, Zahlen, Buchstaben	Button, Alphanumeric Key	564322A		
	Taste, Funktion	Button, Side Function Key	564371A		
	Taste, Cursor	Button, Cursor Key	D560997A		
	Taste, Leer	Button, Space Key	D560998A		
	Feder, schmale Taste	Spring, Small Key	560535E		
	Feder, Leertaste	Spring, Space Key	560535F		
	Feder, Enter-Taste	Spring, Enter Key	560535G		

Ersatzteilliste CPC 664 Micro Computer
Parts List for Model CPC 664 Micro Computer

Kondensatoren/Capacitors

Bezeichnung Description			Teile-Nr. Part.-No.	Zeich.-Pos. Ref.-No.
CC DD307-69F104Z16	0.1	µF 16V	C63BB0215Z	C101
CC DD307-69F104Z16	0.1	µF 16V	C63BB0215Z	C102
CC DD307-69F104Z16	0.1	µF 16V	C63BB0215Z	C103
CC DD307-69F104Z16	0.1	µF 16V	C63BB0215Z	C104
CC DD307-69F104Z16	0.1	µF 16V	C63BB0215Z	C105
CC DD307-69F104Z16	0.1	µF 16V	C63BB0215Z	C106
CC DD307-69F104Z16	0.1	µF 16V	C63BB0215Z	C107
CC DD307-69F104Z16	0.1	µF 16V	C63BB0215Z	C108
CC DD307-69F104Z16	0.1	µF 16V	C63BB0215Z	C109
CC DD307-69F104Z16	0.1	µF 16V	C63BB0215Z	C110
CC DD307-69F104Z16	0.1	µF 16V	C63BB0215Z	C111
CC DD307-69F104Z16	0.1	µF 16V	C63BB0215Z	C112
CC DD307-69F104Z16	0.1	µF 16V	C63BB0215Z	C113
CC DD307-69F104Z16	0.1	µF 16V	C63BB0215Z	C114
CC DD307-69F104Z16	0.1	µF 16V	C63BB0215Z	C115
CC DD307-69F104Z16	0.1	µF 16V	C63BB0215Z	C116
CC DD307-69F104Z16	0.1	µF 16V	C63BB0215Z	C117
CC DD307-69F104Z16	0.1	µF 16V	C63BB0215Z	C118
CC DD307-69F104Z16	0.1	µF 16V	C63BB0215Z	C119
CC DD307-69F104Z16	0.1	µF 16V	C63BB0215Z	C120
CC DD307-69F104Z16	0.1	µF 16V	C63BB0215Z	C121
CC DD307-69F104Z16	0.1	µF 16V	C63BB0215Z	C122
CC DD307-69F104Z16	0.1	µF 16V	C63BB0215Z	C123
CC DD307-69F104Z16	0.1	µF 16V	C63BB0215Z	C124
CC DD307-69F104Z16	0.1	µF 16V	C63BB0215Z	C125
CC DD307-69F104Z16	0.1	µF 16V	C63BB0215Z	C126
CC DD307-69F104Z16	0.1	µF 16V	C63BB0215Z	C127
CC DD307-69F104Z16	0.1	µF 16V	C63BB0215Z	C128
CE 10TWMS470MKC	47	µF 10V	EOB1F1470M	C129
CC DD360665CH680K50	68	PF 50V NPO	COBBCH4U1K	C130
CC DD360665CH680K50	68	PF 50V NPO	COBBCH4U1K	C131
CC DD350665CH470K50	47	PF 50V NPO	COBBCH4Q1K	C132
CC DD360665SL221K50	220	PF 50V SL	COBBSL4H2K	C133
CC DD360665SL221K50	220	PF 50V SL	COBBSL4H2K	C134
CC DD360665SL221K50	220	PF 50V SL	COBBSL4H2K	C135
CC DD307-69F104Z16	0.1	µF 16V	C63BB0215Z	C201
CC DD307-69F104Z16	0.1	µF 16V	C63BB0215Z	C202
CC DD307-69F104Z16	0.1	µF 16V	C63BB0215Z	C203
CC DD307-69F104Z16	0.1	µF 16V	C63BB0215Z	C204
CC DD307-69F104Z16	0.1	µF 16V	C63BB0215Z	C205
CC DD307-69F104Z16	0.1	µF 16V	C63BB0215Z	C206
CC DD307-69F104Z16	0.1	µF 16V	C63BB0215Z	C207
CC DD307-69F104Z16	0.1	µF 16V	C63BB0215Z	C208
CC DD307-69F104Z16	0.1	µF 16V	C63BB0215Z	C209
CC DD307-69F104Z16	0.1	µF 16V	C63BB0215Z	C210
CC DD307-69F104Z16	0.1	µF 16V	C63BB0215Z	C211
CC DD307-69F104Z16	0.1	µF 16V	C63BB0215Z	C212
CC DD307-69F104Z16	0.1	µF 16V	C63BB0215Z	C213
CE 10TWMS101MKC	100	µF 10V	EOB1F1101M	C301
CP CQ92MGF1H683K	0.068	µF 50V	P1D1D0683K	C302
CE 10TWMS470MKC	47	µF 10V	EOB1F1470M	C303
CE 10TWMS101MKC	100	µF 10V	EOB1F1101M	C304
CP CQ92MGF1H103K	0.01	µF 50V	P1D1D0103K	C305
CE 10TWMS470MKC	47	µF 10V	EOB1F1470M	C306
CC DD380665SL471K50	470	PF 50V SL	COBBSL4Q2K	C307
CE 10TWMS220MKC	22	µF 10V	EOB1F1220M	C308
CE 50TWMS010MKC	1	µF 50V	EOB1F5010M	C309
CC DD360665SL221K50	220	PF 50V SL	COBBSL4H2K	C310
CE 50TWMS010MKC	1	µF 50V	EOB1F5010M	C311
CP CQ92MGF1H102K	0.001	µF 50V	P1D1D0102K	C312
CC DD360665SL271K50	270	PF 50V SL	COBBSL4K2K	C313
CE 50NW010MKC	1	µF 50V	EOBEF5010M	C314
CE 16TWMS101MKC	100	µF 16V	EOB1F2101M	C315
CE 50TWMS010MKC	1	µF 50V	EOB1F5010M	C316
CE 50TWMS010MKC	1	µF 50V	EOB1F5010M	C317
CP CQ92MGF1H473K	0.047	µF 50V	P1D1D0473K	C318
CP CQ92MGF1H104K	0.1	µF 50V	P1D1D0104K	C319
CP CQ92MGF1H104K	0.1	µF 50V	P1D1D0104K	C320

Ersatzteilliste CPC 664 Micro Computer
Parts List for Model CPC 664 Micro Computer

Widerstände / Resistors

Bezeichnung Description		Teile-Nr. Part.-No.	Zeich.-Pos. Ref.-No.	Bezeichnung Description		Teile-Nr. Part.-No.	Zeich.-Pos. Ref.-No.
RC NAS-335J	3.3M	ROD1H4335J	R101	RC NAS-473J	47 K	ROD1H4473J	R302
RC NAS-222J	2.2K	ROD1H4222J	R102	RC NAS-473J	47 K	ROD1H4473J	R303
RC NAS-222J	2.2K	ROD1H4222J	R103	RC NAS-223J	22 K	ROD1H4223J	R304
RC NAS-222J	2.2K	ROD1H4222J	R104	RC NAS-223J	22 K	ROD1H4223J	R305
RC NAS-222J	2.2K	ROD1H4222J	R105	RC NAS-560J	56	ROD1H4560J	R306
RC NAS-222J	2.2K	ROD1H4222J	R106	RC NAS-473J	47 K	ROD1H4473J	R307
RC NAS-222J	2.2K	ROD1H4222J	R107	RC NAS-183J	18 K	ROD1H4183J	R308
RC NAS-222J	2.2K	ROD1H4222J	R108	RC NAS-103J	10 K	ROD1H4103J	R309
RC NAS-222J	2.2K	ROD1H4222J	R109	RC NAS-472J	4.7K	ROD1H4472J	R310
RC NAS-222J	2.2K	ROD1H4222J	R110	RC NAS-183J	18 K	ROD1H4183J	R311
RC NAS-105J	1.0M	ROD1H4105J	R111	RC NAS-103J	10 K	ROD1H4103J	R312
RC NAS-222J	2.2K	ROD1H4222J	R112	RC NAS-102J	1.0K	ROD1H4102J	R313
RC NAS-102J	1.0K	ROD1H4102J	R113	RC NAS-474J	470K	ROD1H4474J	R314
RC NAS-103J	10 K	ROD1H4103J	R114	RC NAS-102J	1.0K	ROD1H4102J	R315
RC NAS-103J	10 K	ROD1H4103J	R115	RC NAS-101J	100 ½ W	ROD1K2101J	R316
RC NAS-103J	10 K	ROD1H4103J	R116	RC NAS-561J	560	ROD1H4561J	R317
RC NAS-103J	10 K	ROD1H4103J	R117	RC NAS-473J	47 K	ROD1H4473J	R319
RC NAS-223J	22 K	ROD1H4223J	R118	RC NAS-473J	47 K	ROD1H4473J	R320
RC NAS-223J	22 K	ROD1H4223J	R119	RC NAS-102J	1.0K	ROD1H4102J	R321
RC NAS-103J	10 K	ROD1H4103J	R120	R'FUSE RF25S JL 4R7	4.7	R635844R7J	R322
RC NAS-102J	1.0K	ROD1H4102J	R121	RC NAS-4R7J	4.7	ROD1H44R7J	R323
RC NAS-102J	1.0K	ROD1H4102J	R122				
RC NAS-102J	1.0K	ROD1H4102J	R123				
RC NAS-152J	1.5K	ROD1H4152J	R124				
RC NAS-681J	680	ROD1H4681J	R125				
RC NAS-271J	270	ROD1H4271J	R126				
RC NAS-681J	680	ROD1H4681J	R127				
RC NAS-271J	270	ROD1H4271J	R128				
RC NAS-681J	680	ROD1H4681J	R129				
RC NAS-271J	270	ROD1H4271J	R130				
RC NAS-332J	3.3K	ROD1H4332J	R131				
RC NAS-102J	1.0K	ROD1H4102J	R132				
RC NAS-103J	10 K	ROD1H4103J	R133				
RC NAS-181J	180	ROD1H4181J	R134				
RC NAS-681J	680	ROD1H4681J	R135				
RC NAS-151J	150	ROD1H4151J	R136				
RC NAS-221J	220	ROD1H4221J	R137				
RC NAS-102J	1.0K	ROD1H4102J	R140				
RC NAS-820J	82	ROD1H4820J	R141				
RC NAS-103J	10 K	ROD1H4103J	R142				
RC NAS-106J	10 M	ROD1H4106J	R143				
RC NAS-472J	4.7K	ROD1H4472J	R144				
RC NAS-106J	10 M	ROD1H4106J	R145				
RC NAS-121J	120	ROD1H4121J	R146				
RC NAS-121J	120	ROD1H4121J	R147				
RC NAS-121J	120	ROD1H4121J	R148				
RC NAS-121J	120	ROD1H4121J	R149				
RC NAS-121J	120	ROD1H4121J	R150				
RC NAS-121J	120	ROD1H4121J	R151				
RC NAS-121J	120	ROD1H4121J	R152				
RC NAS-121J	120	ROD1H4121J	R153				
RC NAS-560J	56	ROD1H4560J	R155				
RC NAS-470J	47	ROD1H4470J	R156				
RC NAS-681J	680	ROD1H4681J	R157				
RC NAS-681J	680	ROD1H4681J	R158				
RC NAS-470J	47	ROD1H4470J	R159				
RC NAS-681J	680	ROD1H4681J	R201				
RC NAS-681J	680	ROD1H4681J	R202				
RC NAS-681J	680	ROD1H4681J	R203				
RC NAS-681J	680	ROD1H4681J	R204				
RC NAS-681J	680	ROD1H4681J	R205				
RC NAS-681J	680	ROD1H4681J	R206				
RC NAS-102J	1.0K	ROD1H4102J	R211				
RC NAS-102J	1.0K	ROD1H4102J	R212				
RC NAS-222J	2.2K	ROD1H4222J	R214				
RC NAS-681J	680	ROD1H4681J	R215				
RC NAS-102J	1.0K	ROD1H4102J	R216				
RC NAS-103J	10 K	ROD1H4103J	R217				
RC NAS-151J	150	ROD1H4151J	R218				
RC NAS-681J	680	ROD1H4681J	R301				

Alle Widerstände ¼ W.
All Resistors ¼ W.

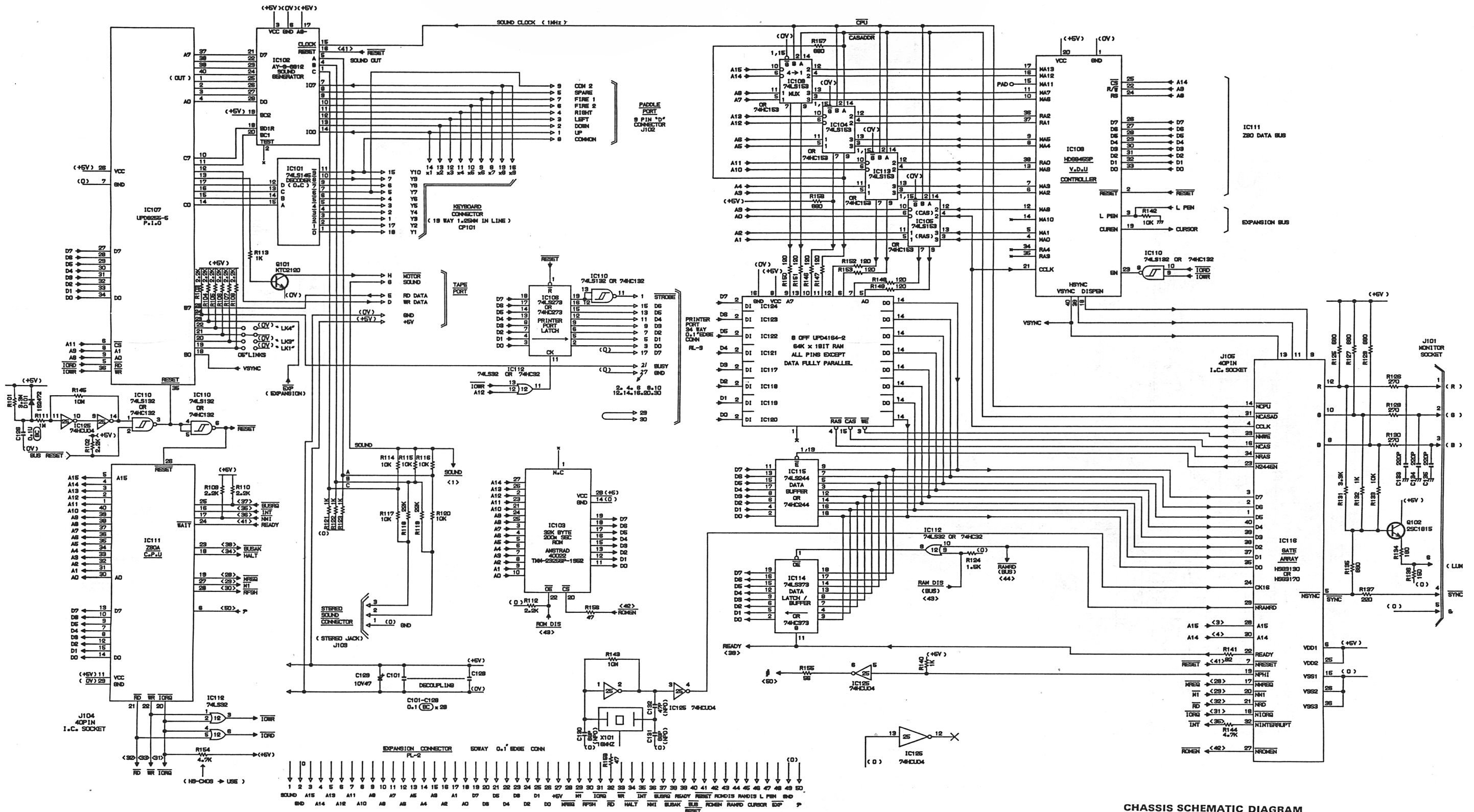
Ersatzteilliste CPC 664 Micro Computer
Parts List for Model CPC 664 Micro Computer

Best.-Nr. Part.-No.	Bezeichnung	Description	Teile-Nr. Part.-No.	Zeich.-Pos. Ref.-No.
IC's				
26 344 00-302	IC HD74LS145	Sound Chip	I64DLS1450	IC101
26 345 00-302	IC AY-3-8912	Rom	I4TD389120	IC102
26 776 00-302	IC TMM-23256P-1952		I45D400220	IC103
26 347 00-302	IC HD74LS153		I64DLS1530	IC104
26 347 00-302	IC HD74LS153		I64DLS1530	IC105
26 348 00-302	IC HD74LS273		I64DLS2730	IC106
26 349 00-302	IC M5L8255AP-5		I46D8255A5	IC107
26 350 00-302	IC HD6845SP		I44DO6845S	IC108
26 347 00-302	IC HD74LS153		I64DLS1530	IC109
26 351 00-302	IC HD74LS132		I64DLS1320	IC110
26 352 00-302	IC Z8400APS		I4SD00Z80A	IC111
29 226 00-302	IC HD74LS32		I64D4LS320	IC112
26 347 00-302	IC HD74LS153		I64DLS1530	IC113
26 353 00-302	IC HD74LS373		I64DLS3730	IC114
26 354 00-302	IC HD74LS244		I64DLS2440	IC115
	IC HSG3130/3170		I8WDG31300	IC116
26 356 00-302	IC HM4864U-2	RAM	I44DO48642	IC117
26 356 00-302	IC HM4864U-2	RAM	I44DO48642	IC118
26 356 00-302	IC HM4864U-2	RAM	I44DO48642	IC119
26 356 00-302	IC HM4864U-2	RAM	I44DO48642	IC120
26 356 00-302	IC HM4864U-2	RAM	I44DO48642	IC121
26 356 00-302	IC HM4864U-2	RAM	I44DO48642	IC122
26 356 00-302	IC HM4864U-2	RAM	I44DO48642	IC123
26 356 00-302	IC HM4864U-2	RAM	I44DO48642	IC124
	IC TC74HC004P		I55DHC004D	IC125
29 220 00-302	IC UPD765AC-2		I42D765AC2	IC201
29 221 00-302	IC FDC9216BT		I6UDO92160	IC202
29 222 00-302	IC SN74HC240N		I6CDHC2400	IC203
29 223 00-302	IC TMM-23128P-1951		I45D231280	IC204
29 224 00-302	IC DN74LS08		I61D4LS080	IC205
29 225 00-302	IC DN74LS38		I61D4LS380	IC206
29 226 00-302	IC DN74LS32		I61D4LS320	IC207
29 225 00-302	IC DN74LS38		I61D4LS380	IC208
29 228 00-302	IC DN74LS136		I61DLS1360	IC209
26 351 00-302	IC DN74LS132		I61DLS1320	IC210
20 230 00-302	IC DN74LS27		I61D4LS270	IC211
29 231 00-302	IC DN74LS74		I61D4LS740	IC212
29 781 00-302	IC TC74HC161P		I55DOC1610	IC213
26 358 00-302	IC LA4140		I03SP41400	IC301
29 782 00-302	IC LA6358S		I03SO63580	IC302
Transistoren/Transistors				
26 359 00-301	Trans. KTC2120Y	Silicon	TCA0021204	Q101
21 736 00-301	Trans. KTC1815Y	Silicon	TCA0018154	Q102
21 736 00-301	Trans. KTC1815Y	Silicon	TCA0018154	Q301
21 736 00-301	Trans. KTC1815Y	Silicon	TCA0018154	Q302
26 613 00-301	Trans. KTA950Y	Silicon	TAA0009504	Q303
Dioden/Diodes				
08 079 00-3041	Diode 1S2472-HS		D17G024720	D101
29 236 00-3041	Diode DS442XFAS	Silicon	D13FDS442X	D201
11 239 00-3041	Diode 1N4002	Rectifier	D2A0040020	D301
26 361 00-3045	Diode SLP-145B	LED	0021320010	D302
21 752 00-304	Diode KDS1555	Silicon	D1A0015550	D303
21 752 00-304	Diode KDS1555	Silicon	D1A0015550	D304
Buchsen und Stecker/ Jack and Connections				
26 364 00-3322	Buchse/DIN/Monitor	Jack, DIN	TCS4460-01-1011	J101
26 365 00-3322	Socket D Sub 9	Socket D Sub 9	HXC0730-01-010	J102
26 366 00-3322	Buchse RCA 3.5	Jack, RCA 3.5	HSJ1061-01-440	J103
	IC-Sockel	Socket, IC	DILB40P-8J	J104
	IC-Sockel	Socket, IC	DILB40P-8J	J105
	IC-Sockel	Socket, IC	DILB28P-8J	J201
26 367 00-3323	Buchse/DC	Jack, DC	HEC0470-01-630	J301
29 783 00-3322	Buchse/DIN/Tape	Jack, DIN	TCS4450-01-101	J302

Ersatzteilliste CPC 664 Micro Computer
Parts List for Model CPC 664 Micro Computer

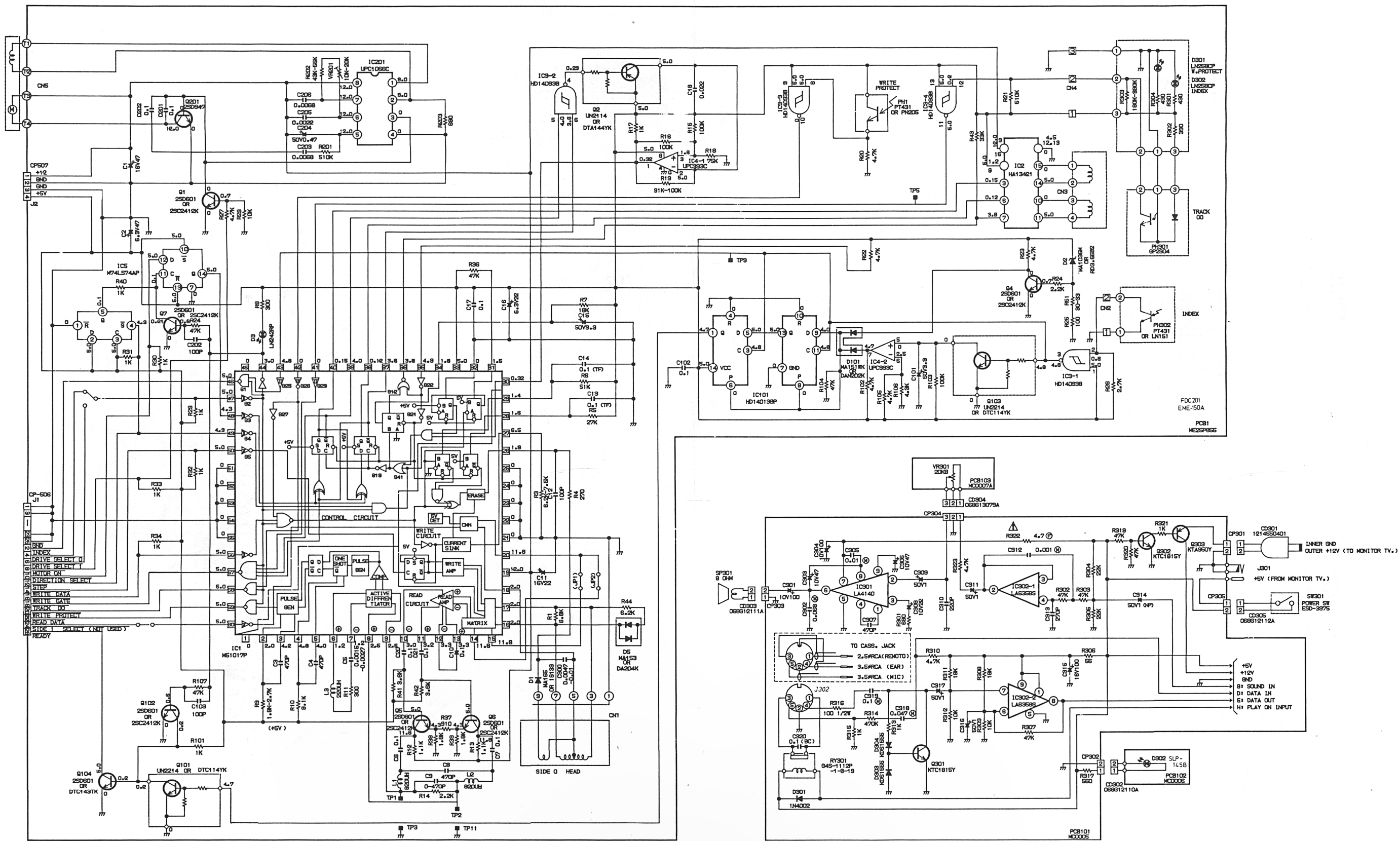
Best.-Nr. Part.-No.	Bezeichnung	Description	Teile-Nr. Part.-No.	Zeich.-Pos. Ref.-No.
Schalter / Switch				
29 788 00-3276	Tastatur kompl.	Switch, Key Board	R-562024	0506974006
26 369 00-3274	Schiebeschalter	Switch, Slide	ESD-3975	0530110001
Potentiometer / Semi-Fixed Resistor				
29 784 00-3221	Drehwiderstand	Volume, Rotary	K121LOZOT-20KB	V023024B05
Platinen / P.C.Board				
29 785 00-502	Platine CPU	PCB	MC0005B	13MC0005B1
29 786 00-502	Platine LED	PCB	MC0006B	13MC0006B1
29 787 00-502	Platine Potentiometer	PCB	MC0007B	13MC0007B1
Verschiedenes / Miscellaneous				
26 378 00-3259	Quarz	Crystal	HC-49/U	100616R002
29 251 00-502	Floppylaufwerk kompl.	Compact Floppy Disk	Drive EME-150A	160140001A
26 376 00-3284	Relais	Relay	G4S-1112P-1-B-19	0560750101
26 377 00-680	Lautsprecher	Speaker	C040K01K2451	070B010002
29 251 00-926	Diskette System (CP/M)	Compact Floppy Disc	EBFCF2SS1D05	1421310300
	Steckverbindung	Cord Connector	8W6Q003A	068W6Q003A
	Steckverbindung	Cord Eis Connector	8G14074A	068G14074A
	Steckverbindung	Cord DC	14550401	1214550401
	Steckverbindung	Cord Eis Connector	8G12110A	068G12110A
	Steckverbindung	Cord Eis Connector	8G12111A	068G12111A
	Steckverbindung	Cord Eis Connector	8G13079A	068G13079A
	Steckverbindung	Cord Eis Connector	8G12112A	068G12112A
	Steckverbindung	Connector PCB Side	5597-19CPB	069R7J0019
	Steckverbindung	Connector PCB Side	171825-2	0694120019
	Steckverbindung	Connector PCB Side	171825-2	0694120019
	Steckverbindung	Connector PCB Side	4-171825-2	0694120016
	Steckverbindung	Connector PCB Side	171825-3	0694130019
	Steckverbindung	Connector PCB Side	171825-2	0694120019
	Verbindung	Jumper in PCB	20300501	1220300501
	Verbindung	Jumper in PCB	20301001	1220301001
				X101
				FDC201
				RY301
				SP301
				DFD101
				CD201
				CD202
				CD301
				CD302
				CD303
				CD304
				CD305
				CP101
				CP301
				CP302
				CP303
				CP304
				CP305
				W001
				W002

CHASSIS SCHEMATIC DIAGRAM

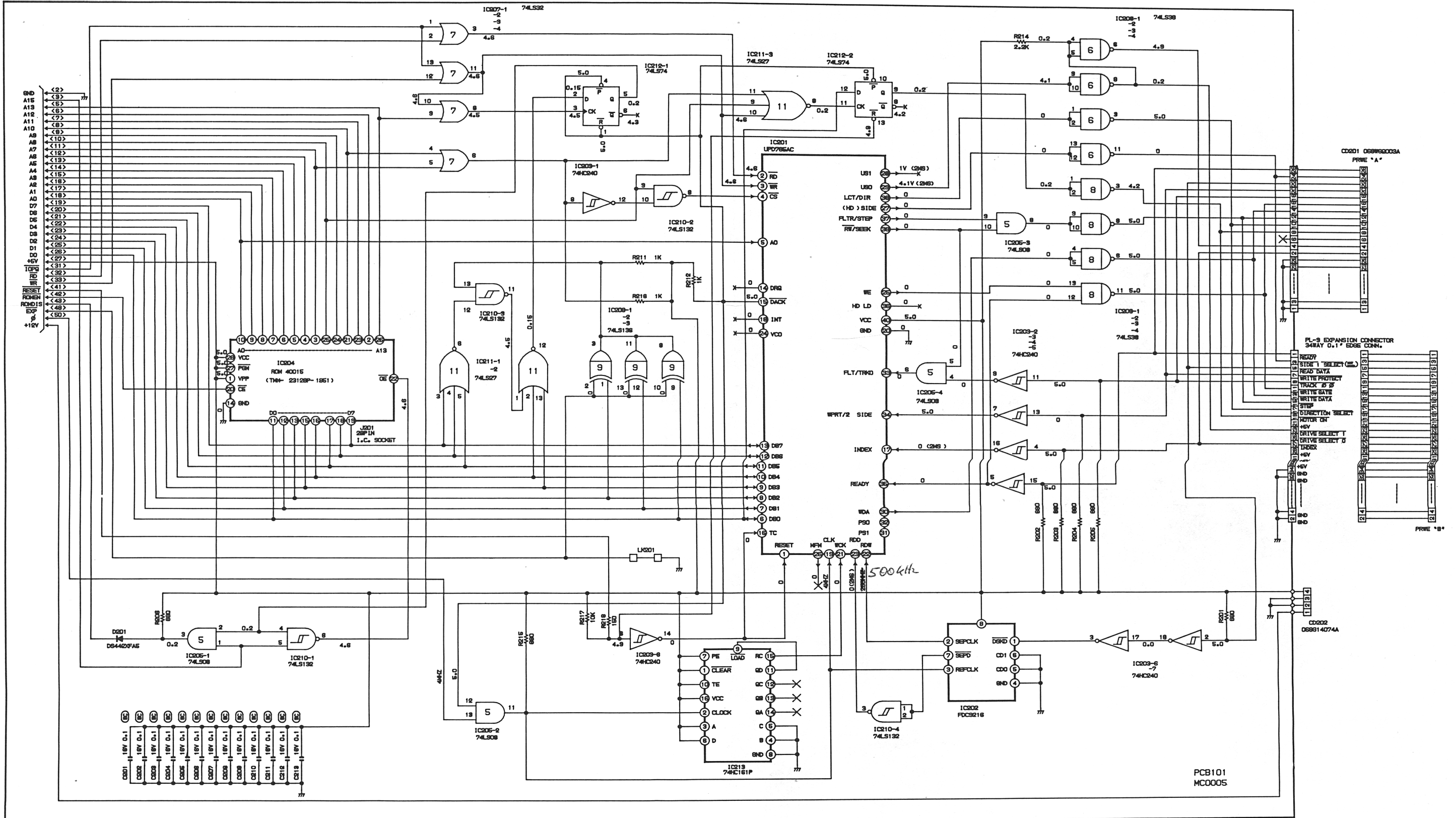


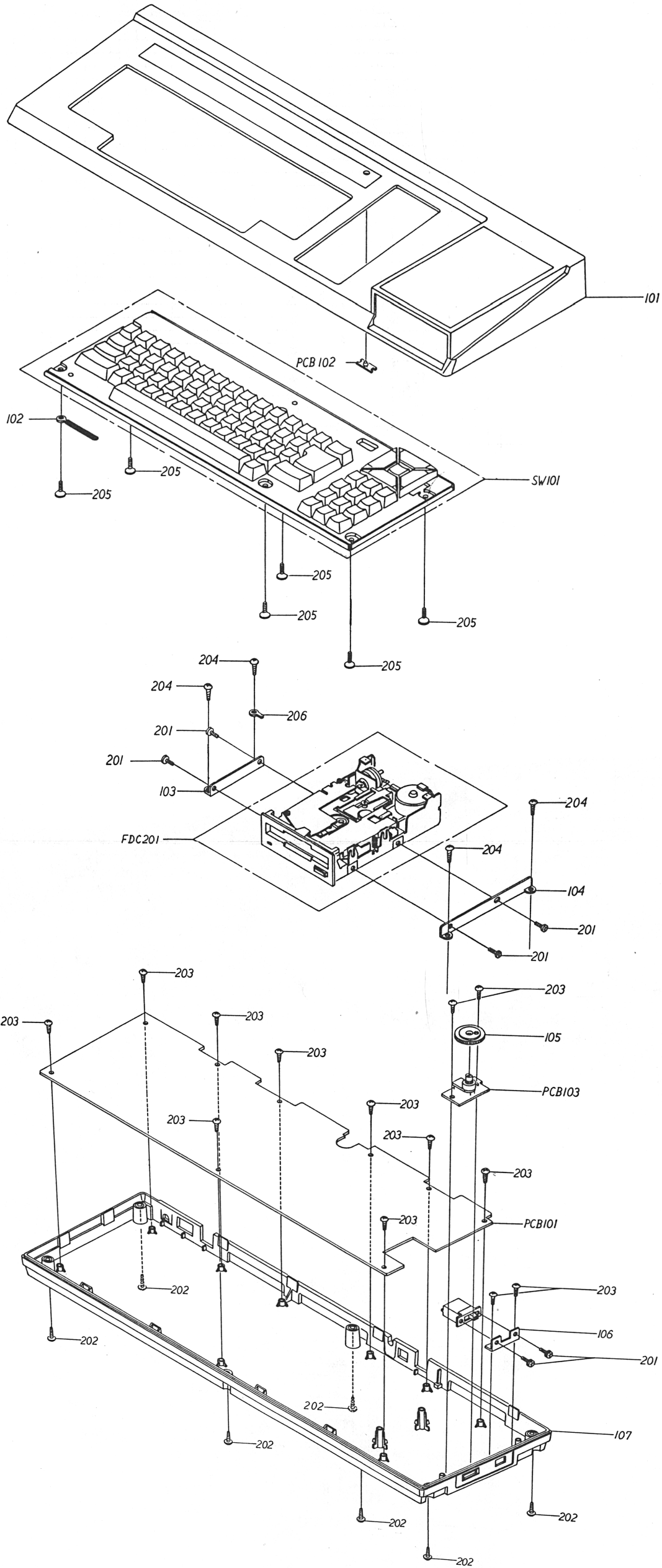
CHASSIS SCHEMATIC DIAGRAM

CHASSIS SCHEMATIC DIAGRAM



CHASSIS SCHEMATIC DIAGRAM

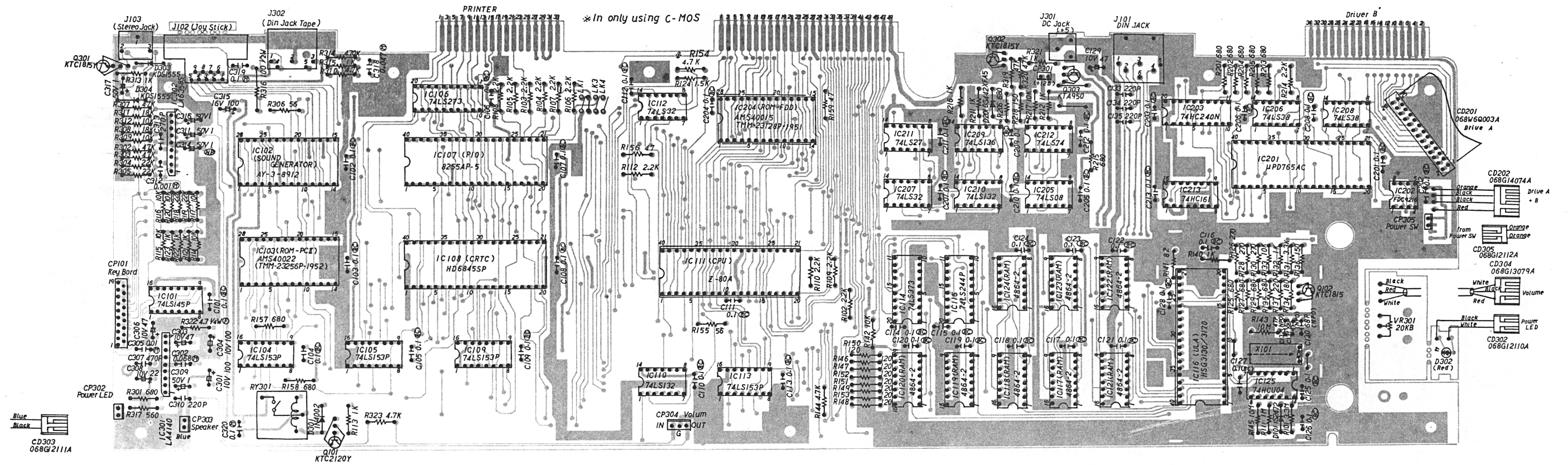




Hauptplatine

- 1 Rewort
- 2 GND
- 3 Re art
- 4 IN
- 5 OUT

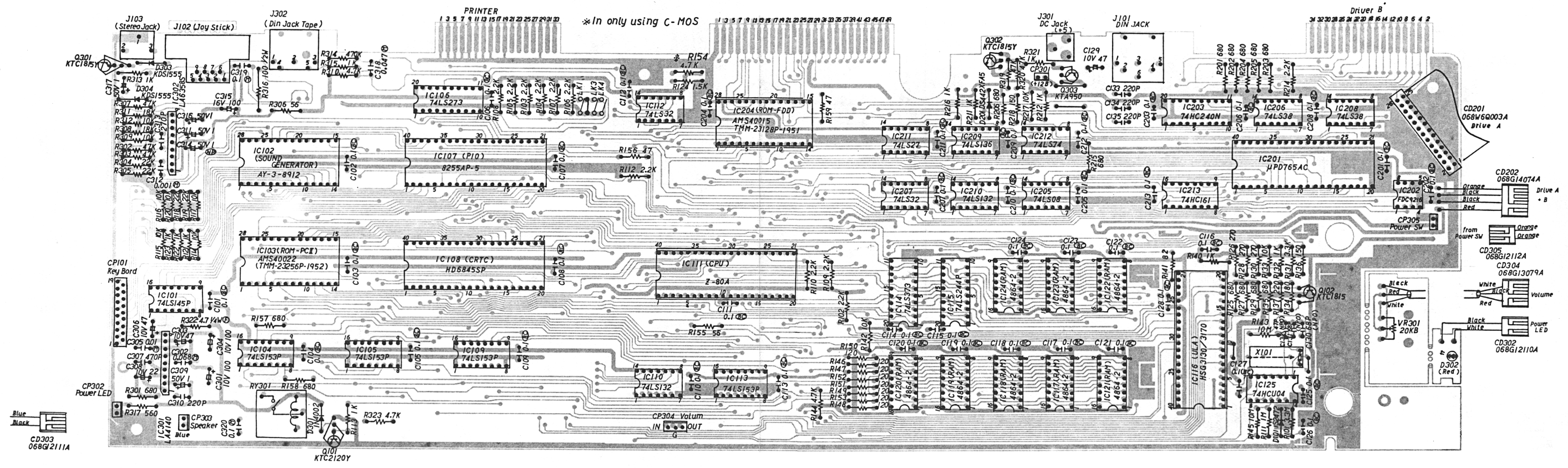
- 1 R 4 SYNC
- 2 G 5 GND
- 3 B 6 LUW

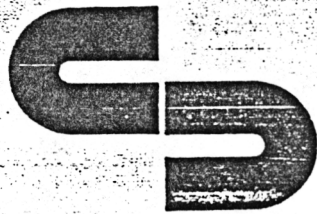


Hauptplatine

- 1 Rewort
- 2 GND
- 3 Re ort
- 4 IN
- 5 OUT

- 1 R 4 SYNC
- 2 G 5 GND
- 3 B 6 LUV





Schneider Rundfunkwerke
GmbH & Co
Türkheim/Unterallgäu

Schneider Rundfunkwerke GmbH & Co · D-8939 Türkheim 1

Silvastraße 1
Postfach 120

Fernruf (08245) 51-0
Fernschreiber 0539128

ERSATZTEILLISTE

GUELTIG AB 30.08.85

2344200-92100 KEYBOARD CPC 664

BLATT 1

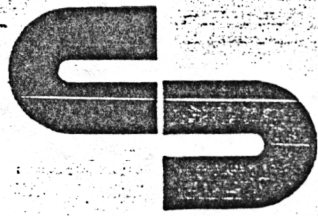
BEST-NUMMER	ARTIKELBEZEICHNUNG		ZEICH	PREIS	
				POS.	0. MST
2977400-424	GEHAEUSE OBERTEIL	CPC 664	702KPA0050	101	28,30
2977700-423	GEHAEUSEBODEN	CPC 664	702KPA0051	107	18,70
2977500-4281	KNOPF DREH		732KPA0019	105	0,40
2634400-302	IC HD 74 LS 145		IC101		5,20
2634500-302	IC AY 3-8912		IC102		19,00
2981400-302	IC TMM 23256 P 1952		IC103		54,75
2634700-302	IC HD 74 LS 153		IC104		3,60
2634700-302	IC HD 74 LS 153		IC105		3,60
2634800-302	IC HD 74 LS 273		IC106		7,40
2634900-302	IC M 5 L 8255 AP-5		IC107		21,00
2635000-302	IC HK 6845 SP		IC108		47,00
2634700-302	IC HD 74 LS 153		IC109		3,60
2635100-302	IC HD 74 LS 132		IC110		5,20
2635200-302	IC Z 8400 APS		IC111		66,50
2922600-302	IC DN 74 LS 32		IC112		2,10
2634700-302	IC HD 74 LS 153		IC113		3,60
2635300-302	IC HD 74 LS 373		IC114		7,40
2635400-302	IC HD 74 LS 244		115/6		7,80
2981500-302	IC HSG 3130/3170				95,00
2635600-302	IC HM 4864 U-2		117-9		42,00
2635600-302	IC HM 4864 U-2		120-5		42,00
2981600-302	IC TC 74 HCU0 4 P		155DHCU04D	125	2,60
2922000-302	IC UPD 765 AC	ODER R 6765	IC201		58,00
2981700-302	IC FDC 9216 BT		IC202		7,20
2922200-302	IC SN 74 HC 24 ON		IC203		11,60
2922300-302	IC TMM 23128 P-1951		IC204		37,00
2922400-302	IC DN 74 LS 08		IC205		2,10
2922500-302	IC DN 74 LS 38		IC206		2,10
2922600-302	IC DN 74 LS 32		IC207		2,10
2922500-302	IC DN 74 LS 38		IC208		2,10
2922800-302	IC DN 74 LS 136		IC209		3,30
2635100-302	IC HD 74 LS 132		IC210		5,20
2923000-302	IC DN 74LS27		IC211		2,00
2923100-302	IC DN 74 LS 74		IC212		2,70
2978100-302	IC TC 74 HC 161 P		IC213		5,50
2635800-302	IC LA 4140		IC301		2,90
2978200-302	IC LA 6358 S		IC302		2,30

Banken - Banque

Dresdner Bank Augsburg, Konto 0106609200, BLZ 7208001
Postscheckamt München, Konto 20203-809, BLZ 70010080

Sparkasse Mindelheim, Konto 3004, BLZ 73151750

Hypobank Türkheim, Konto 2720107506, BLZ 73121947



Schneider Rundfunkwerke
GmbH & Co
Türkheim/Unterallgäu

Schneider Rundfunkwerke GmbH & Co · D-8939 Türkheim 1

Silvastraße 1
Postfach 120

Fernruf (0 82 45) 51-0
Fernschreiber 05 39 128

E R S A T Z T E I L L I S T E

GUELTIG AB 30.08.85

2844200-92100 KEYBOARD CPC 664

BLATT 2

BEST-NUMMER	ARTIKELBEZEICHNUNG	ZEICH PREIS	
		POS.	O.MST
635900-301	TRANS KTC 2120 Y	Q 101	0,70
2173600-301	TRANS KTC 1815 Y	Q 102	0,50
2173600-301	TRANS KTC 1815 Y	Q 301	0,50
2173600-301	TRANS KTC 1815 Y	Q 302	0,50
2661300-301	TRANS KTA 950 Y	Q 303	0,60
0307900-304	DIODE 1 S 2472	D 101	0,40
2923600-3041	DIODE DS 442 XFAS	D 201	4,20
1123900-3041	DIODE 1 N 4002	D 301	4,80
2636100-3045	LEUCHTDIODE SLP 145 B	D 302	0,50
2175200-304	DIODE KDS 1555	D 303	0,50
2175200-304	DIODE KDS 1555	D 304	0,50
2636400-3322	BUCHSE DIN	J 101	2,20
2636500-3322	SOCKEL D SUB 9	J 102	3,00
2636600-3323	BUCHSE RCA 3,5	103-5	1,50
2636600-3323	BUCHSE RCA 3,5	J 201	1,50
2636700-3323	BUCHSE DC	J 301	1,50
2978300-3322	BUCHSE/DIN/TAPE	J 302	2,10
2978800-3276	TASTATUR KOMPL.	SW101	120,00
2636900-3274	SCHIEBESCHALTER ESD 3975	SW301	4,60
2978400-3221	DREHWIDERSTAND	VR301	1,60
2978500-502	PLATINE CPU	PC101	695,70
2978600-502	PLATINE LED	PC102	3,30
2978700-502	PLATINE POTENTIOMETER	PC103	7,20
2637800-3259	QUARZ HC-18/U 16MHZ	X 101	6,50
2925100-926	DISKETTE SYSTEM (CP/M)	FD201	31,10
2637600-3284	RELAIS G45-112P-1-B19	RY301	5,30
2637700-680	LAUTSPRECHER C040K01K2451	SP301	4,80
2925100-926	DISKETTE SYSTEM (CP/M)	DF101	31,10
2978000-212	FK CPC 664	793KCD0119	4,40
2977800-213	STYROPOR RECHTS CPC 664	792KHA0050	
2977900-213	STYROPOR LINKS CPC 664	792KHA0051	

PREISAENDERUNGEN VORBEHALTEN

Banken · Banque

Dresdner Bank Augsburg, Konto 0106 609 200, BLZ 720 800 01
Postscheckamt München, Konto 202 03-809, BLZ 700 100 80

Sparkasse Mindelheim, Konto 3 004, BLZ 731 517 50

Hypobank Türkheim, Konto 2 720 107 506, BLZ 731 219 47

Alle Geschäfte unterliegen unseren Verkaufsbedingungen

All business transactions are subject to our terms of selling · Toutes les transactions se basent sur nos conditions de vente