

Panasonic EBF-CF2DD


■ Double Sided ■ For Double Heads Floppy Disk Drives

Compact Floppy Disk

Compact Floppy Disk

3 inch



Certified and Tested
This floppy disk can be used in double heads
floppy disk drives bearing the  symbol.

Compact Floppy Disk

EBF-CF2DD



A

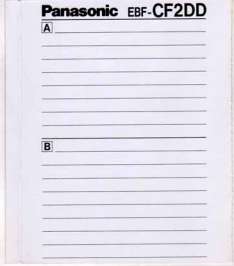
Panasonic

For Single Head Drive



Compact
Floppy Disk

EBF-CF2



Panasonic EBF-CF2
■Double Sided ■For Single Head Floppy Disk Drives



Compact Floppy Disk
Compact Floppy Disk

3 inch

 Certified and Tested
This floppy disk can be used in single head floppy disk drives bearing the  symbol.

Panasonic EBF-CF2
■Double Sided ■For Single Head Floppy Disk Drives



Compact Floppy Disk
Compact Floppy Disk

3 inch

 Certified and Tested
This floppy disk can be used in single head floppy disk drives bearing the  symbol.

Panasonic EBF-CF2
■Double Sided ■For Single Head Floppy Disk Drives



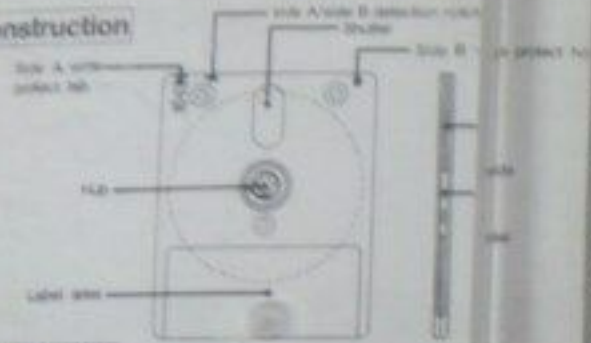
Compact Floppy Disk
Compact Floppy Disk

3 inch

 Certified and Tested
This floppy disk can be used in single head floppy disk drives bearing the  symbol.

Please read these instructions carefully to ensure correct use of the Compact Floppy Disk.

Construction

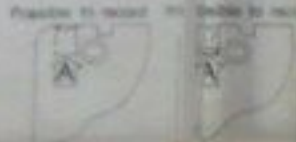


How to Use

- Use this Compact Floppy Disk in a single head disk drive only. After finishing side A, turn it over to use side B.

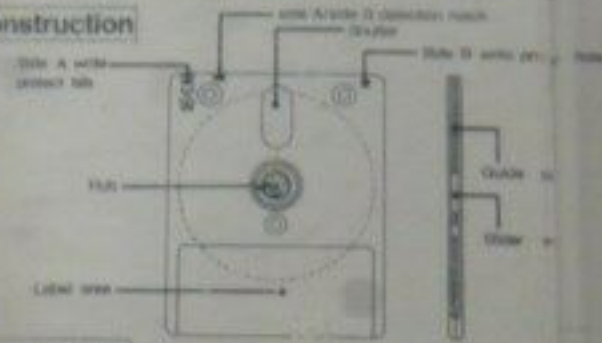
How to Preserve Recordings

- To make the recording of data impossible, push down the write protect tab.



Please read these instructions carefully to ensure correct use of the Compact Floppy Disk.

Construction



How to Use

- Use this Compact Floppy Disk in a single head disk drive only. After finishing side A, turn it over to use side B.

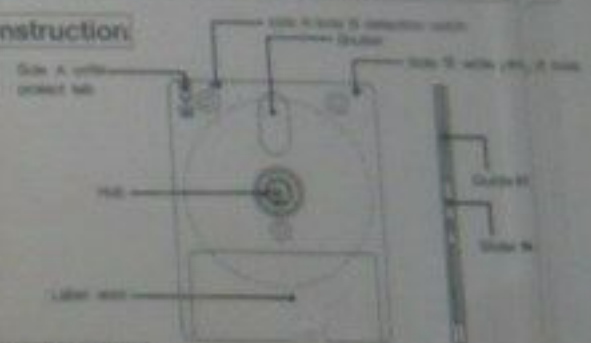
How to Preserve Recordings

- To make the recording of data impossible, push down the write protect tab.



Please read these instructions carefully to ensure correct use of the Compact Floppy Disk.

Construction



How to Use

- Use this Compact Floppy Disk in a single head disk drive only. After finishing side A, turn it over to use side B.

How to Preserve Recordings

- To make the recording of data impossible, push down the write protect tab.

