



AMSOFT®



For Single Head Drive



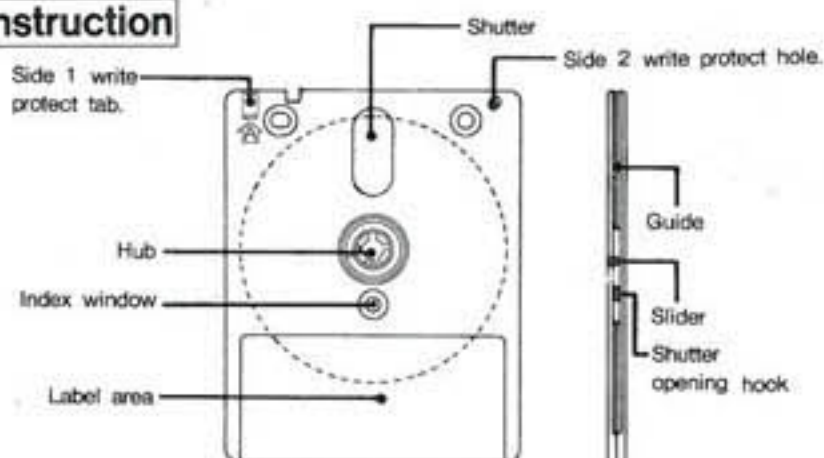
Compact Floppy Disc

CF2



Please read these instructions carefully to ensure correct use of the Compact Floppy Disc.

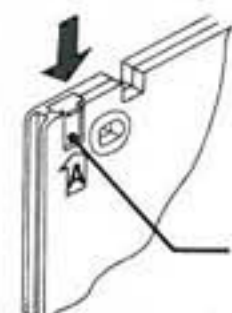
Construction



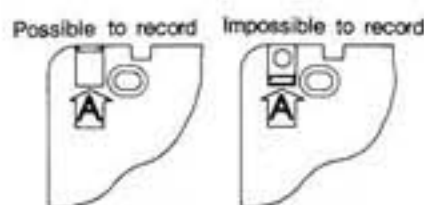
How to Use

- Use this Compact Floppy Disc in a single head disc drive only. After finishing side 1, turn it over to use side 2.

How to Preserve Recordings



- To make the recording of data impossible, push down the write protect tab.



Amsoft®

CF2

1 _____

2 _____

Precautions for Use

- Do not open the shutter and touch the magnetic surface of the disc.
- Do not press on the shutter or put any heavy object on the disc.
- Do not deform the hub.
- Keep the disc away from dust and dirt to prevent data error.
- Inserting hairpins, paper-clips, matches or similar objects will cause irreparable damage to the disc.

Precautions for Storage

- Keep away from magnetised objects and places.
- Avoid places subject to high temperature, high humidity or direct sunlight. Do not leave discs in a car, subject to hot weather.
- Keep away from dust.

Environment

	Temperature	Humidity
Operating environment	5~51.5°C	20~80%RH※
Storage environment	4~51.5°C	8~80%RH
Transportation	-40~51.5°C	8~90%RH

(※Wet bulb temperature:less than 29°C)

Amsoft

CF

CF-2
COMPACT FLOPPY DISC
10PCS.

- TEN 3" CF-2
COMPACT
FLOPPY DISKS
- DOUBLE SIDED
- TESTED



Short of Floppy Disc storage ?

3" Discs now available

New low price for these top
quality discs. Suitable for
all Amstrad disc based
computers.

Except the PC1512.

Order your CF-2 Discs now

ONLY £2.99 each

Available from good Amstrad computer stockists. Or send coupon to
Marketing Dept, Amstrad, Brentwood House, 169 King's Road,
Brentwood, Essex. CM14 4EF.

AMSTRAD

Brentwood House, 169 King's Road, Brentwood Essex. CM14 4EF.
Tel. 0277 230222



Send coupon to: Marketing Dept, Amstrad Consumer Electronics Plc, Brentwood House, 169 Kings Road, Brentwood, Essex. CM14 4EF

Name

Address

Post code Tel. No.

CF-2 PACK OF 5 CF-2 PACK OF 10

Other quantity (please state)

(PLEASE DO NOT SEND ANY MONEY WITH THIS COUPON)

Amsoft®

Amsoft is a registered
trade mark of Amstrad
Pic. and is used by
Diskpress under license

1



Compact Floppy Disc

CF2



CF2

Compact Floppy Disc



Amsoft®

Amsoft is a registered
trade mark of Amstrad
Pic. and is used by
Diskpress under license

2



Amsoft[®]

1



For Single Head Drive



Compact Floppy Disc

CF2



CF2

Compact Floppy Disc



For Single Head Drive

Amsoft[®]

2



Amssoft[®]

A



▲A

▼B



B

Amssoft[®]

Amsoft[®]

1



For Single Head Drive



Compact Floppy Disc

CF2



CF2

Compact Floppy Disc



For Single Head Drive

Amsoft[®]

2

