



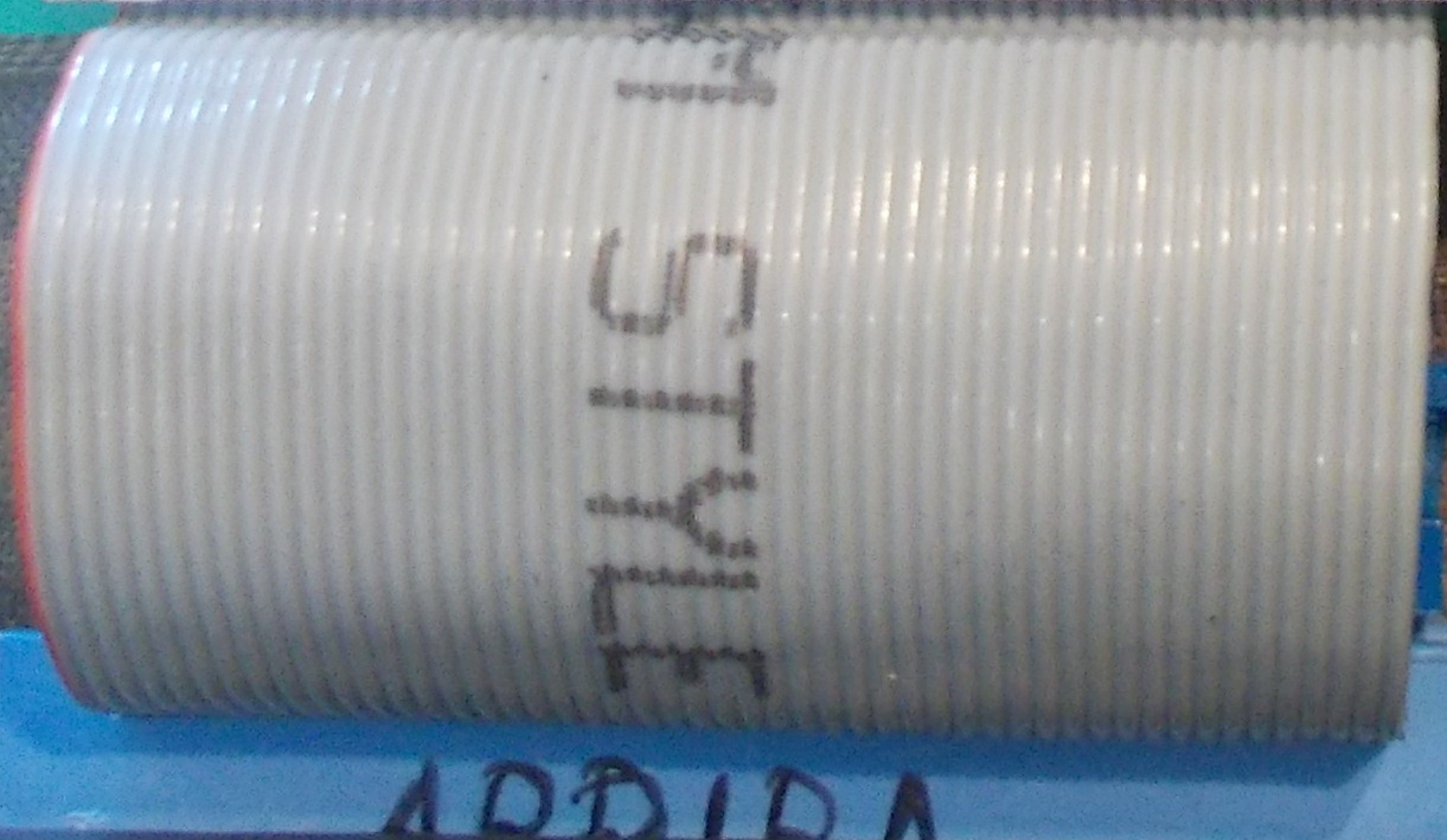
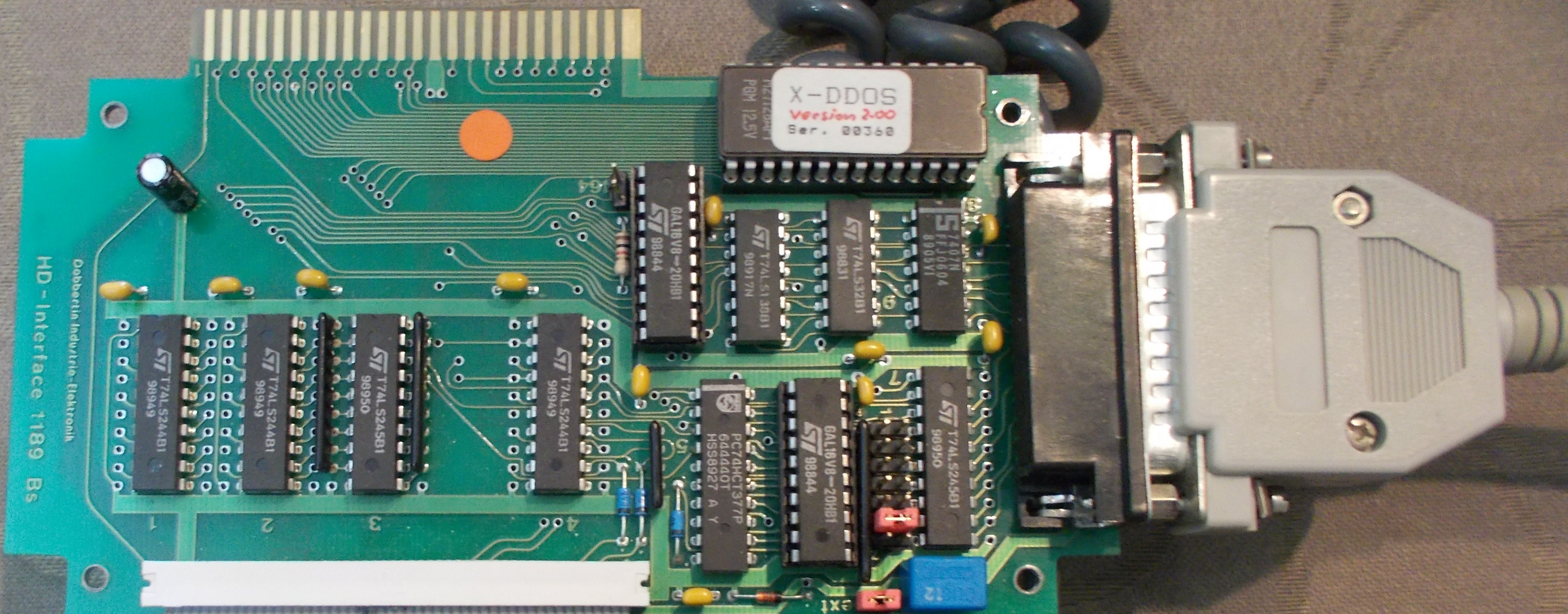
Seagate 001 V2.0
SERIAL: 001
COMPONENT: 1000-000000-000000

400-1E0206

ST-124
3MP2 ULTRA/MP3
+5V/1.2A
+12V/2.0A

ST-124
3MP2 ULTRA/MP3
+5V/1.2A
+12V/2.0A

WTT-1S

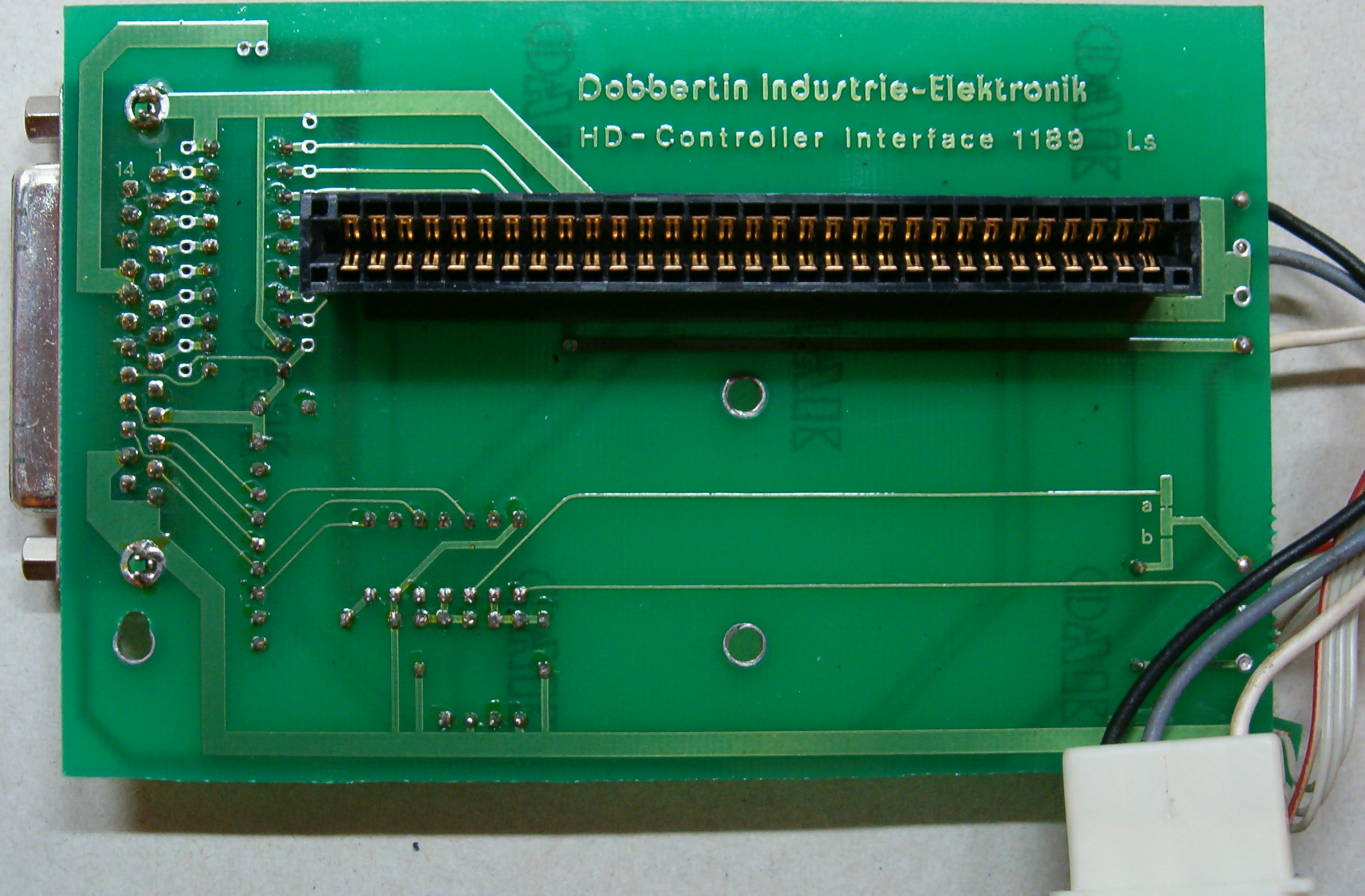


128K ORDENADOR PERSONAL

Dobbertin Industrie-Elektronik
HD-Controller Interface 1189 Ls

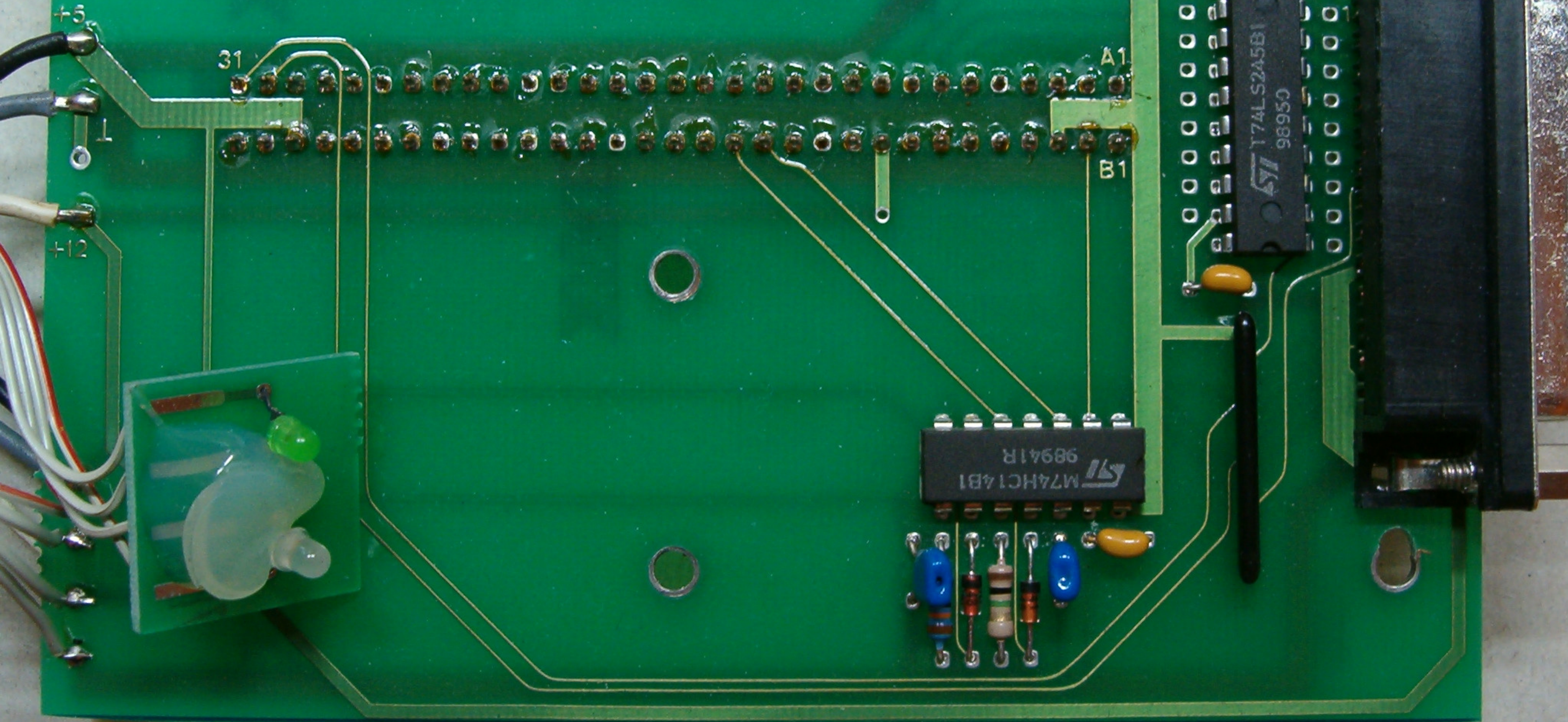
14

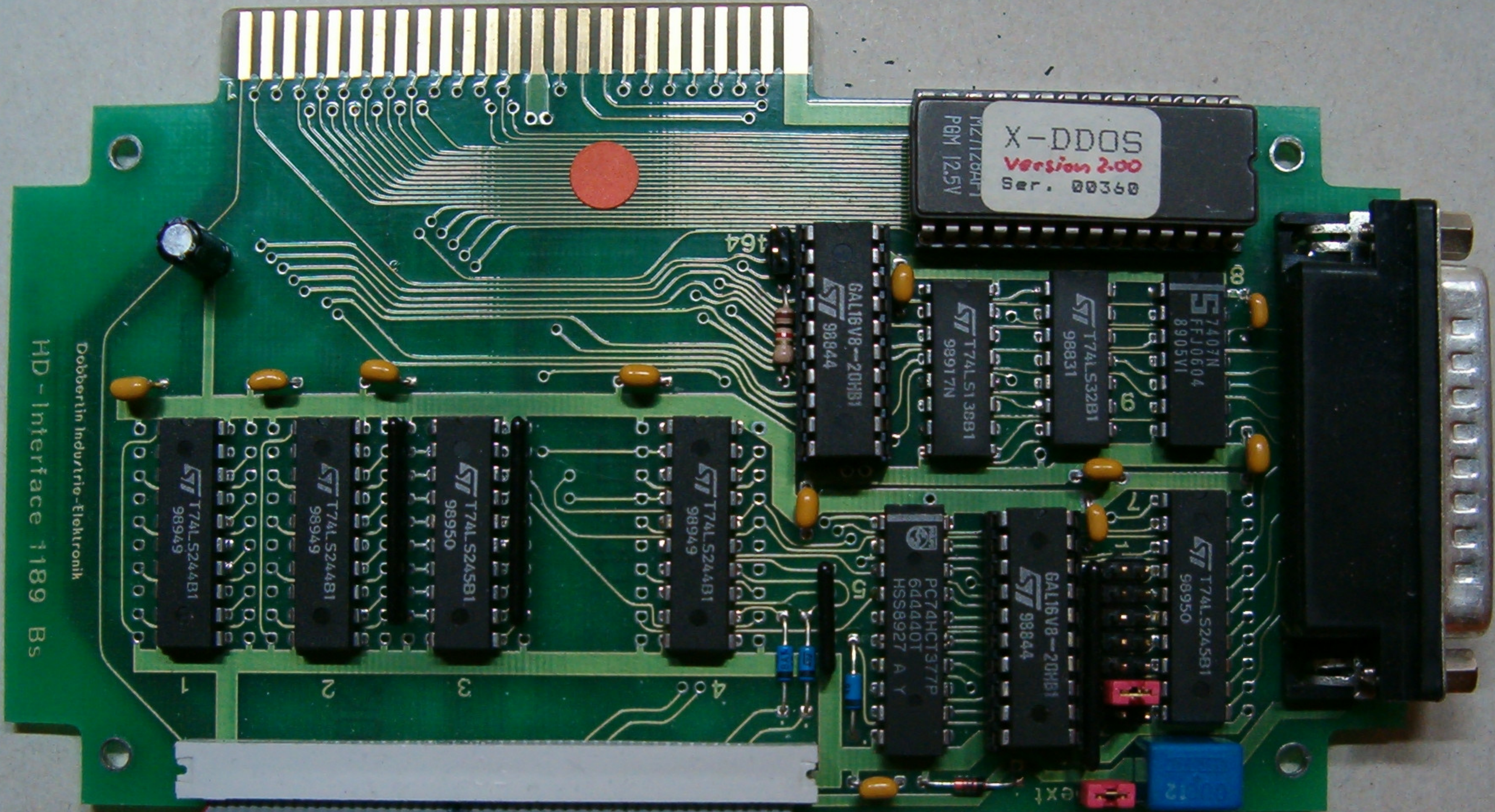
a
b



Dobbertin Industrie-Elektronik

HD-Controller Interface 1189 Bs





M21204T1
X-DD05
Version 2.00
Ser. 00360
PGM 12.5V

7407N
FFJ0604
8905V1

74ALS32B1
98831

74ALS138B1
98917N

GAL16V8-20H81
98844

T74ALS244B1
98949

T74ALS245B1
98950

T74ALS244B1
98949

T74ALS244B1
98949

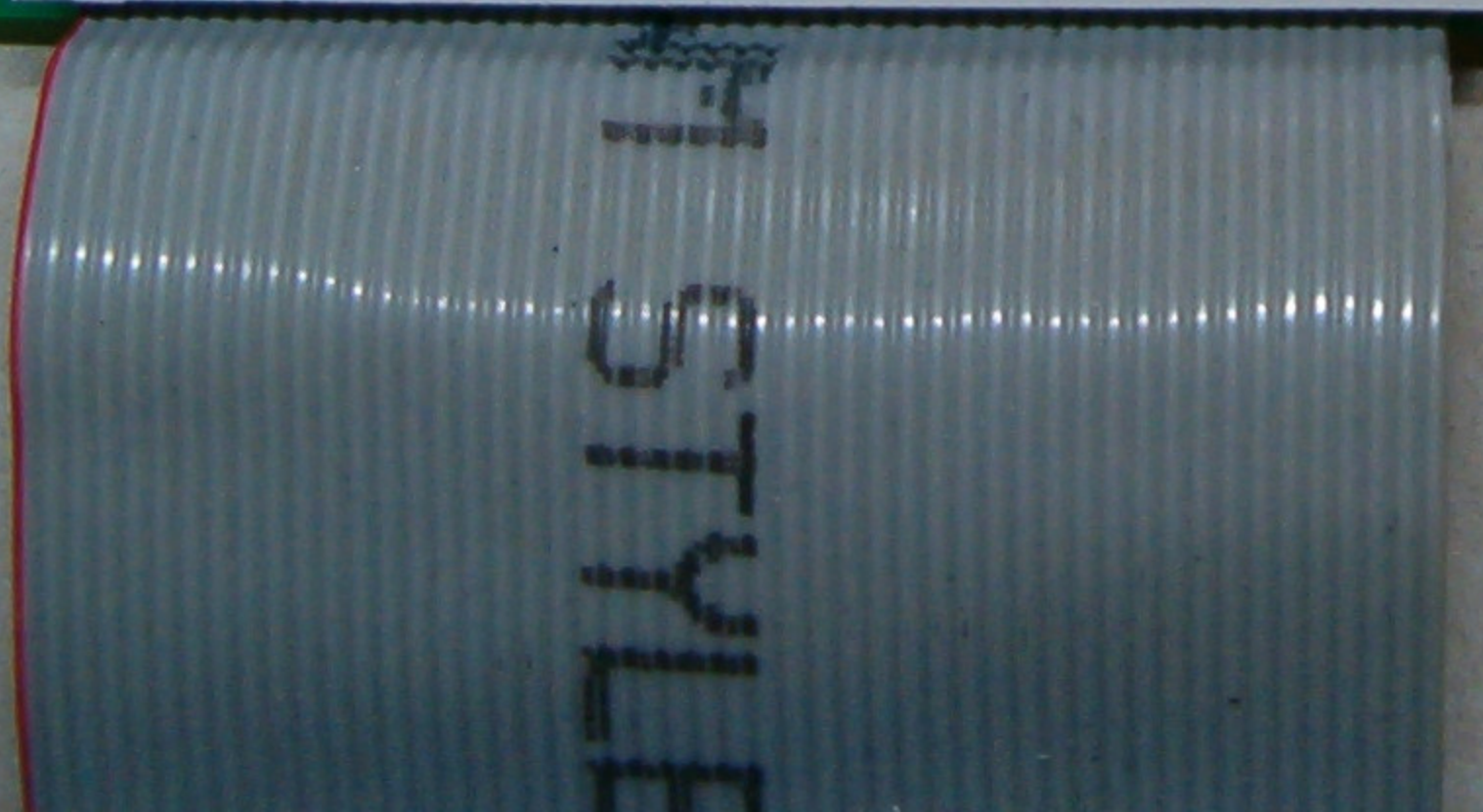
T74ALS245B1
98950

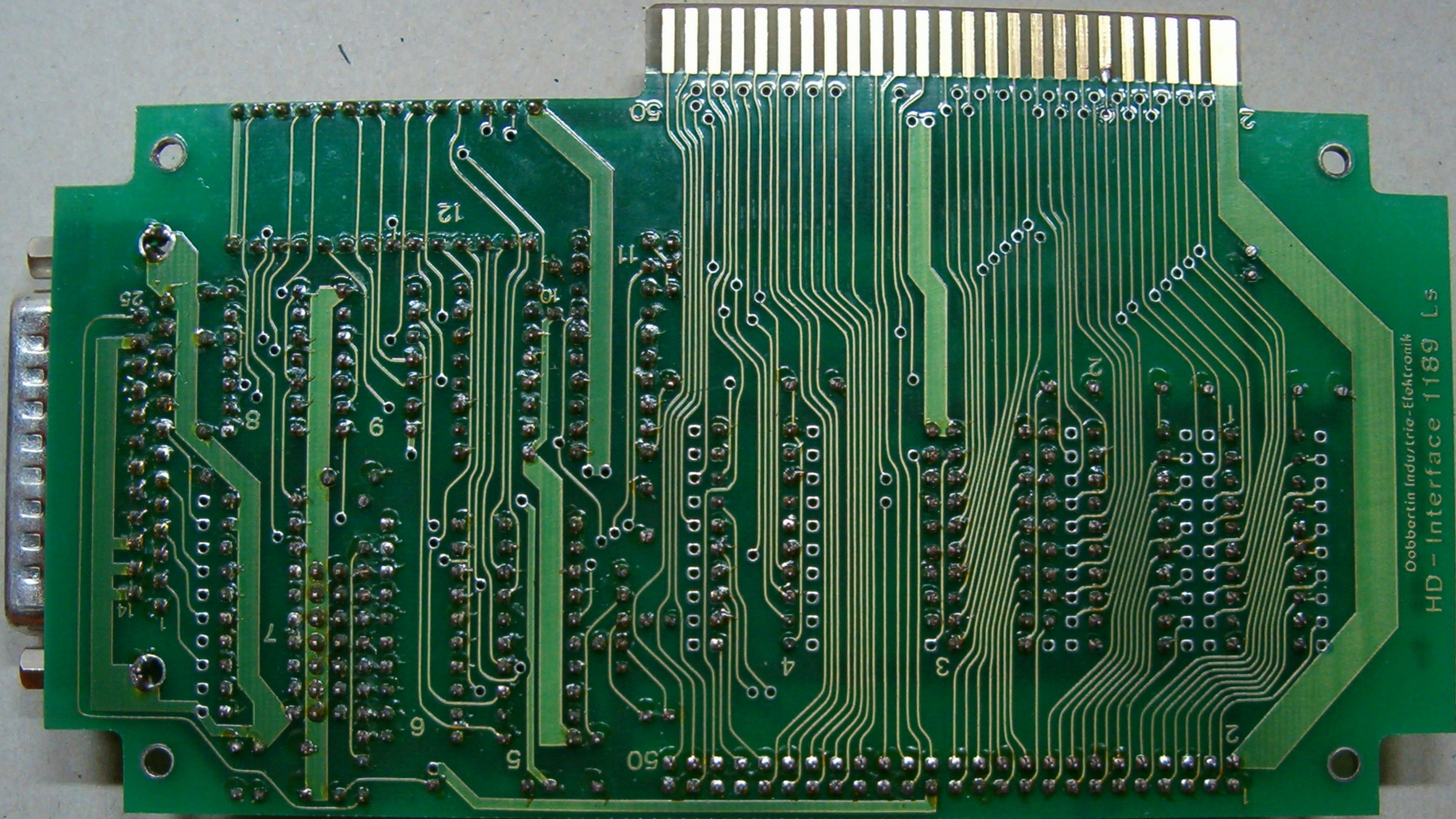
GAL16V8-20H81
98844

PC74HCT377P
644440T
HSS8927 A Y

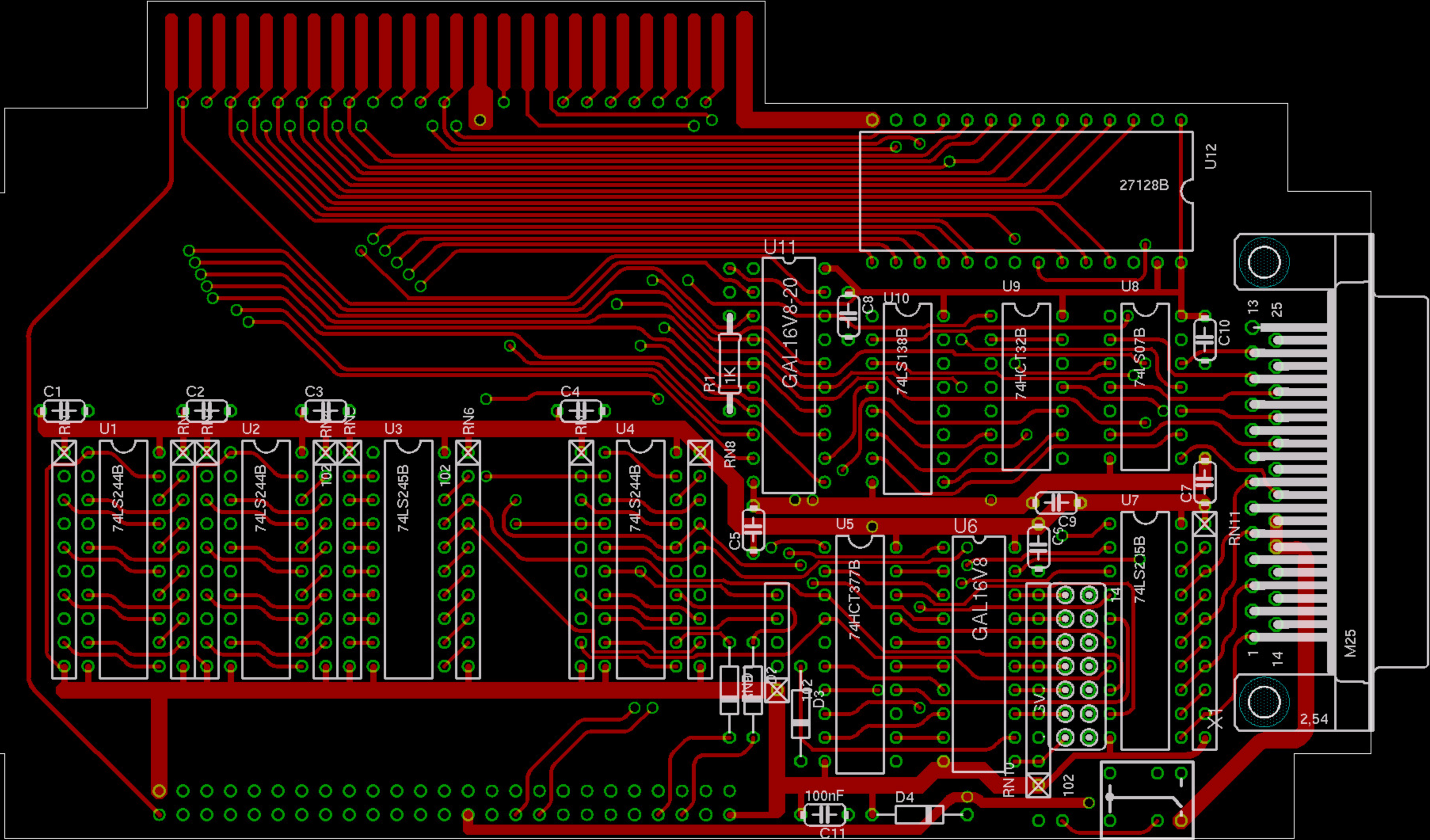
164

HD-Interface 1189 Bs
Dobbertin Industrie-Elektronik



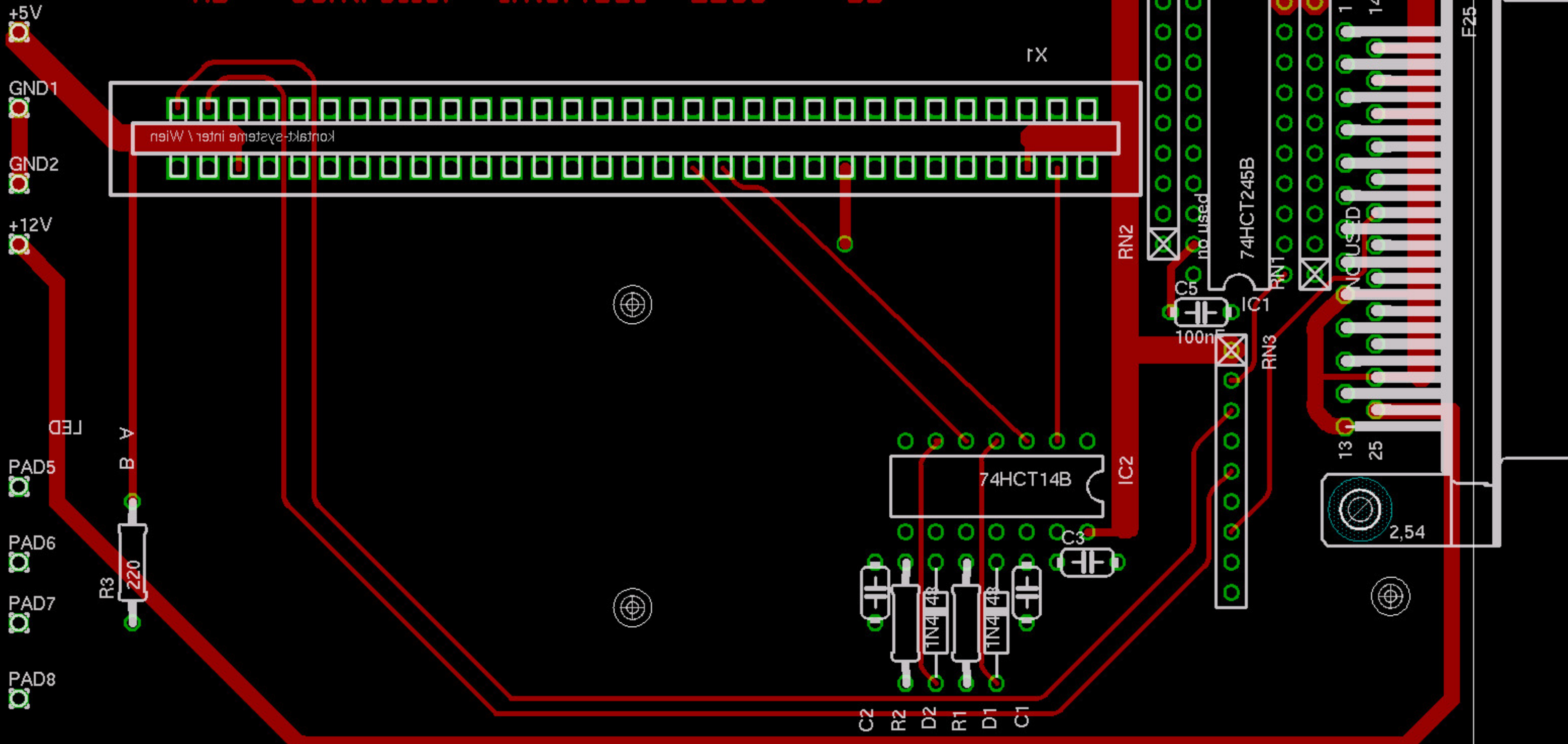


Oobertin Industrie-Elektronik
HD-Interface 1189 Ls

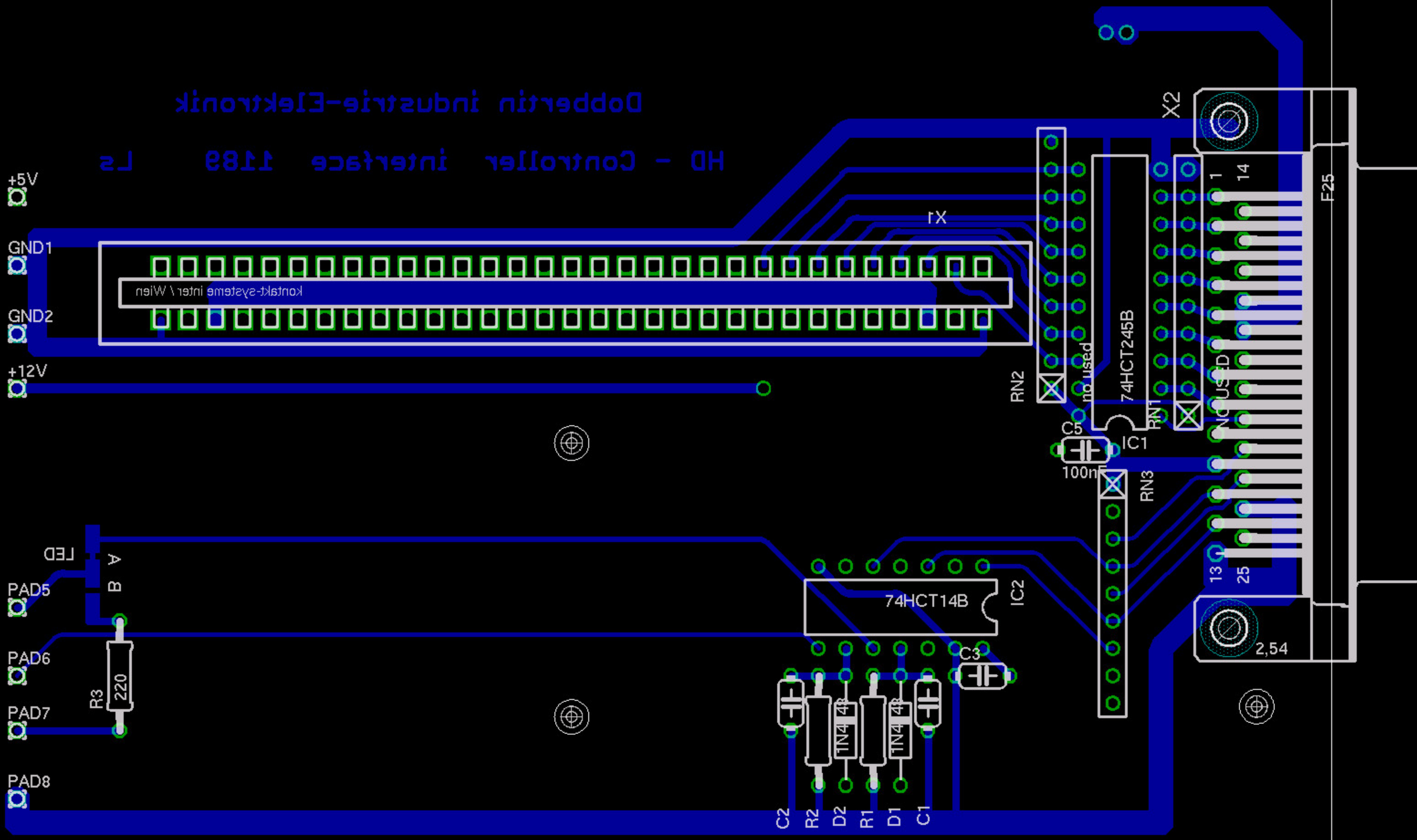


Dobbertin industrie-Elektronik

HD - Controller interface 1189 Bs

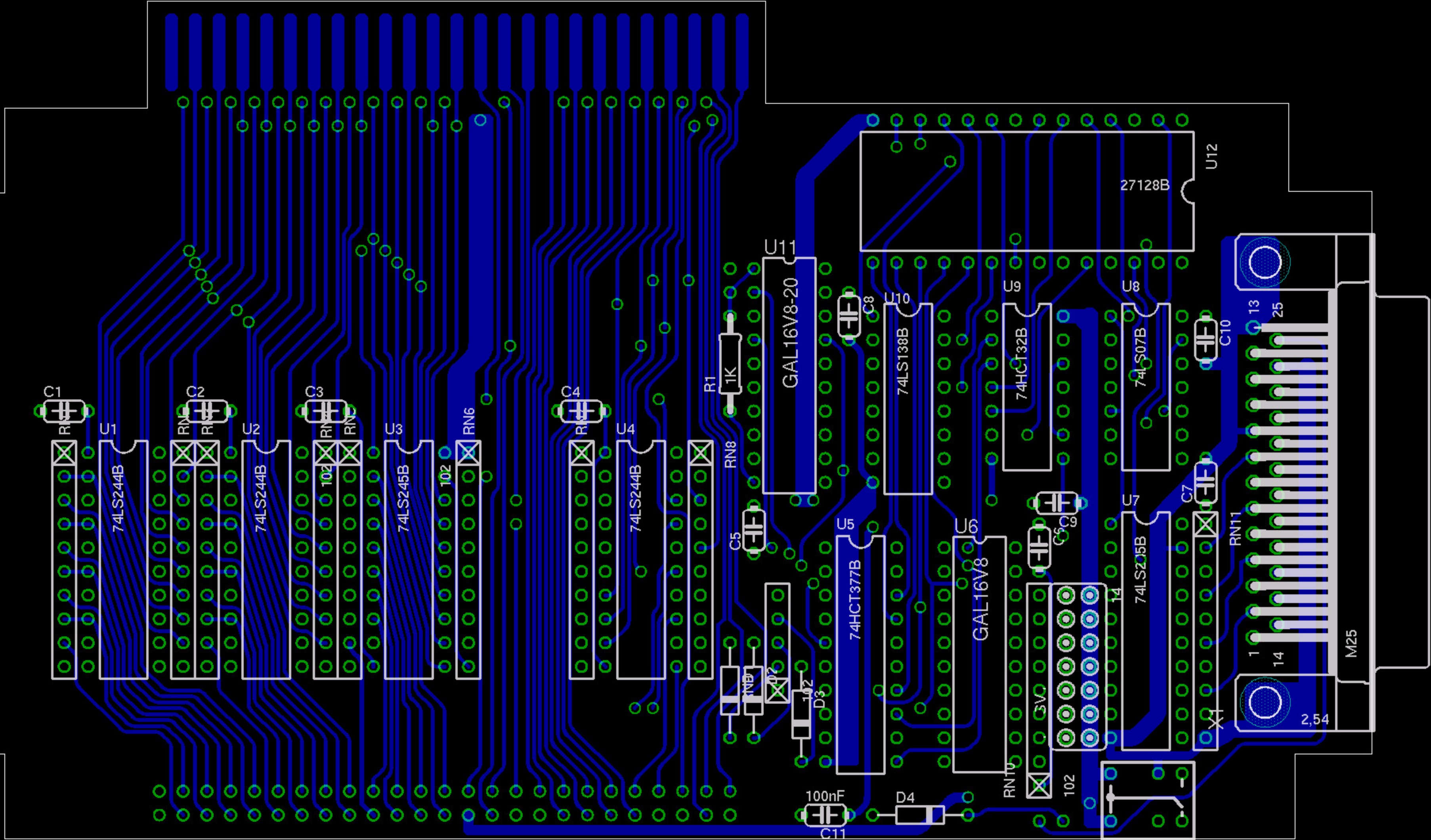


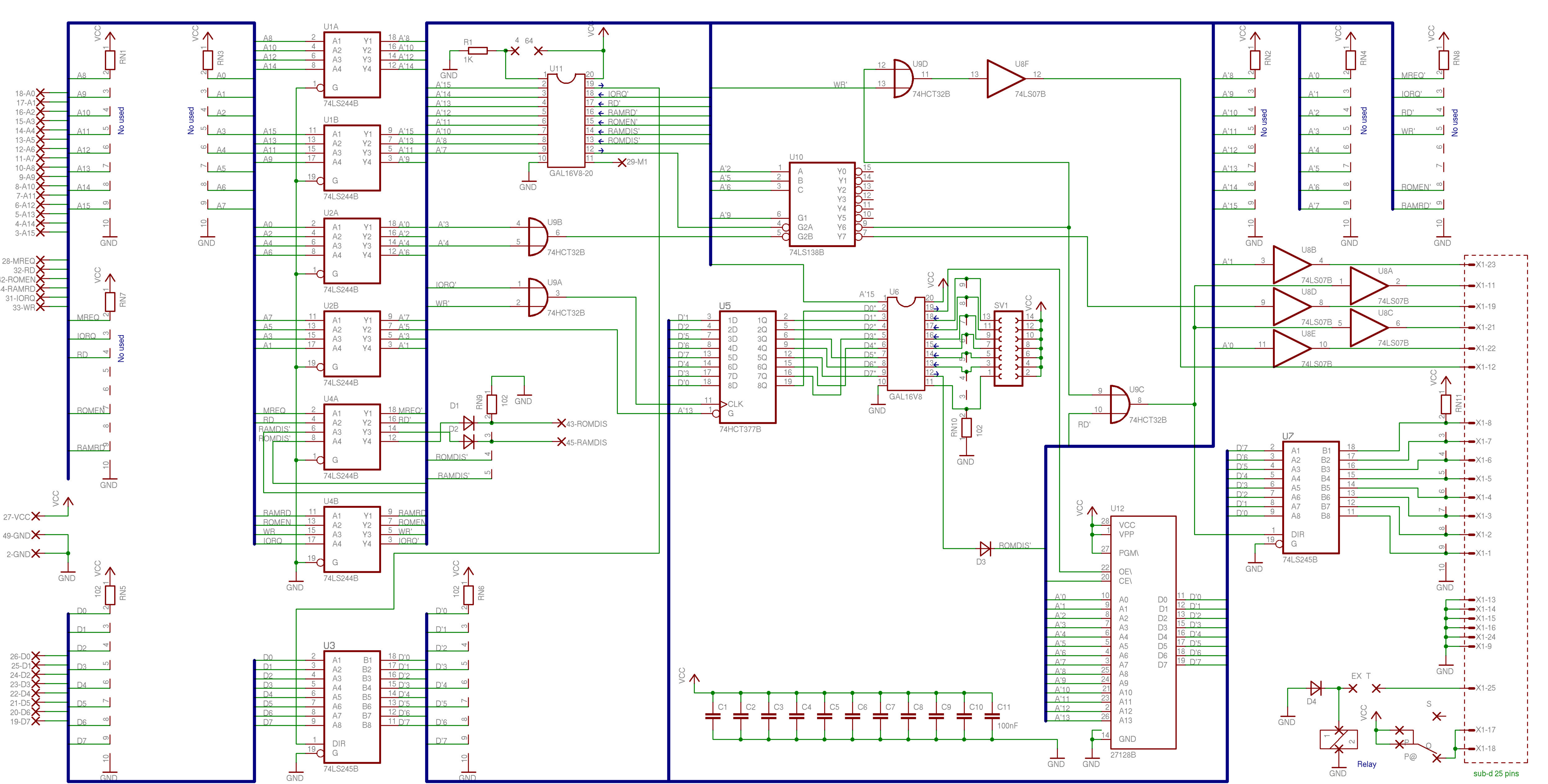
kontakt-systeme inter \ Wien

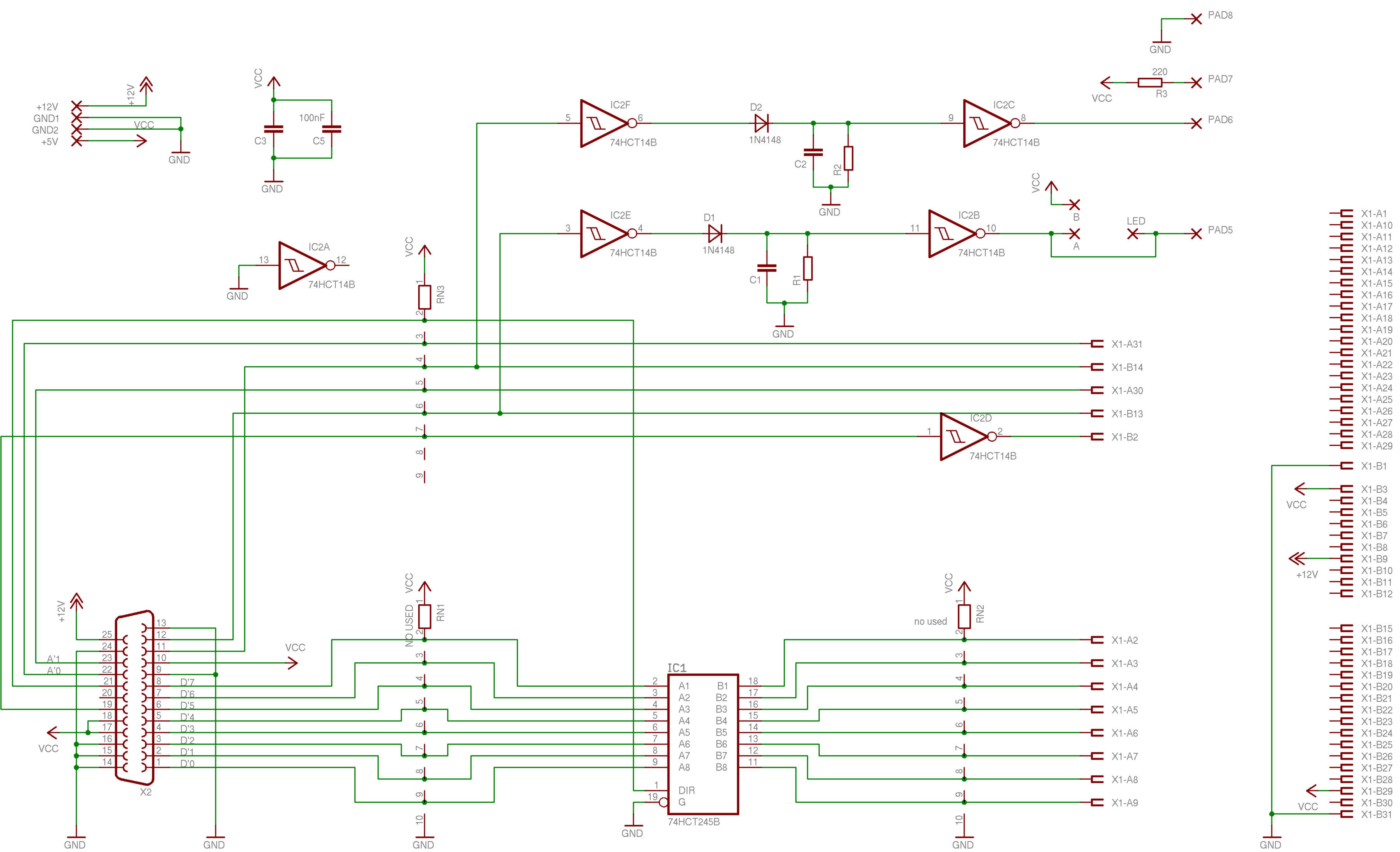


- +5V
- GND1
- GND2
- +12V
- PAD5
- PAD6
- PAD7
- PAD8

- X2
- F25
- IC1
- IC2
- RN1
- RN2
- RN3
- C1
- C2
- C3
- C5
- D1
- D2
- R1
- R2
- R3
- LED
- no used
- NCUSED
- 13
- 25
- 2,54







- X1-A1
- X1-A10
- X1-A11
- X1-A12
- X1-A13
- X1-A14
- X1-A15
- X1-A16
- X1-A17
- X1-A18
- X1-A19
- X1-A20
- X1-A21
- X1-A22
- X1-A23
- X1-A24
- X1-A25
- X1-A26
- X1-A27
- X1-A28
- X1-A29
- X1-B1
- X1-B2
- X1-B3
- X1-B4
- X1-B5
- X1-B6
- X1-B7
- X1-B8
- X1-B9
- X1-B10
- X1-B11
- X1-B12
- X1-B15
- X1-B16
- X1-B17
- X1-B18
- X1-B19
- X1-B20
- X1-B21
- X1-B22
- X1-B23
- X1-B24
- X1-B25
- X1-B26
- X1-B27
- X1-B28
- X1-B29
- X1-B30
- X1-B31