

AMSTRAD

DDI-1

USER INSTRUCTIONS



This document is a PDF version of the AMSTRAD DDI-1 USER INSTRUCTIONS manual.

This version has been scanned and OCRed from the original and as a result may contain spelling mistakes and errors which were not part of the original document.

This manual is © Copyright Amstrad plc. All rights reserved.

Amstrad plc have given their permission for this document to be distributed on the Unofficial Amstrad WWW Resource.

Amstrad plc website:
<http://www.amstrad.com/>

AMSTRAD DISC DRIVE & INTERFACE DDI-1

Congratulations on becoming the proud owner of the Amstrad DDI-1. You will soon discover the wisdom of your choice, and what a worthwhile investment your unit is.

Its speed will allow you to load and save files in seconds which would take several minutes using cassette. Furthermore, each disc allows you to store up to 180k Bytes of program on a single disc surface (360k on both sides). In other words, all your utilities on a disc, 10 or so games on a disc, all your standard letter files on a disc, the database from your indexing system on a disc - and so on.

Moreover, you can access files at random - which means that you don't have to pass laboriously through unwanted program files to get to the one that you want to use.

Disc operation comes into its own when you want to write any sort of program. When developing any software, it's very reassuring to take a copy every now and again in case you happen to attempt to run it, and then discover that you've left an 'ON BREAK GOSUB' lurking to prevent you from ever escaping back to direct mode; and if you can do this in 5 seconds rather than 5 minutes, you will obviously get a lot more done!

When developing assembler programs, the convenience of being able to assemble from disc and then test within seconds rather than minutes will be a boon to both the seasoned programmer, and the novice feeling his way through machine code for the first time.

The inclusion of CP/M opens a vast wealth of programming experience to the user. The 80 column mode ensures that programs will require minimal modification to run on the CPC464 - and the number of books written on the subject of CP/M and its use runs well into three figures.

In short, you have made exactly the right decision to upgrade to disc based operation. It will help and speed up your understanding and appreciation of computing in a way that is simply not comparable with cassette-only systems.

Furthermore, the 3 inch compact floppy disc format, in its tough plastic casing (with a protective shutter covering the head area) prevents accidental damage and provides a positive and rigid location in the drive mechanism.

Two operating systems are supplied:

AMSDOS is an extension of the cassette filing system in CPC464 BASIC, and allows access to the BASIC interpreter.

CP/M 2.2 is the standard 'random access' Z80 disc operating system for over 5000 commercial programs - ranging from business and accounts software to second languages and scientific and engineering analysis. Thanks to the thoughtful implementation of CP/M on the CPC464, CP/M files may be freely mixed on the disc with AMSDOS files, which are automatically labelled with the appropriate filetype.

Digital Research's famous Dr LOGO has emerged as the most universal educational and teaching medium - combining the unique user-friendliness of 'turtle graphics' with sophisticated processing power. Dr LOGO is acclaimed as the most comprehensive implementation of LOGO available and is supplied free as part of your Amstrad DDI-1 package.

AMSOF
A division of
AMSTRAD

CONSUMER ELECTRONICS PLC

© Copyright 1984 AMSOFT, AMSTRAD Consumer Electronics plc

Neither the whole or any part of the information contained herein, or the product described in this manual may be adapted or reproduced in any material form except with the prior written approval of AMSTRAD Consumer Electronics plc ('AMSTRAD').

The product described in this manual and products for use with it are subject to continuous development and improvement. All information of a technical nature and particulars of the product and its use (including the information and particulars in this manual are given by AMSTRAD in good faith. However, it is acknowledged that there may be errors or omissions in this manual. A list of details of any amendments or revisions to this manual can be obtained by sending a stamped, self addressed envelope to AMSOFT Technical Enquiries. We ask that all users take care to submit their reply paid user registration and guarantee cards.

AMSOFT welcome comments and suggestions relating to the product or this manual.
All correspondence should be addressed to:

AMSOF
169 Kings Road
Brentwood
Essex CM14 4EF

All maintenance and service on the product must be carried out by AMSOFT authorised dealers. Neither AMSOFT nor AMSTRAD can accept any liability whatsoever for any loss or damage caused by service or maintenance by unauthorised personnel. This guide is intended only to assist the reader in the use of the product, and therefore AMSOFT and AMSTRAD shall not be liable for any loss or damage whatsoever arising from the use of any information or particulars in, or any error or omission in, this guide or any incorrect use of the product.

Dr LOGO and CP/M are trade marks of Digital Research Inc.
Z80 is the trademark of Zilog Inc.
AMSDOS and CPC464 are trademarks of AMSTRAD.

First Published 1984
Compiled by Roland Perry and Ivor Spital with acknowledgements to Locomotive Software Ltd.

Published by AMSTRAD
Typeset by AMSOFT Computer Graphics

AMSTRAD is a registered trademark of AMSTRAD Consumer Electronics plc. Unauthorised use of the trademark or word AMSTRAD is strictly forbidden.

Contents

Foundation Course

F1 Setting Up
F2 About Discs
F3 Loading Software/Games
F4 Introducing AMSDOS and CP/M

Chapter 1 Making Working Discs

Backup master disc
A working SYSTEM/UTILITY disc
A BASIC only disc
Turnkey AMSTRAD BASIC discs
Turnkey CP/M discs and packages
Configuring discs
Starting and autostarting a Turnkey CP/M package

Chapter 2 AMSDOS Primer

Disc directory
AMSDOS filenames and filetypes
Filename construction, headers and wild cards.
Examples of using AMSDOS commands in a program
Saving variables and performing a screen dump
Reference guide to AMSDOS commands
Copying files
Reference guide to AMSDOS error messages

Chapter 3 CP/M Primer

Operating with CP/M
CP/M system tracks
Configuration sector
Console control codes
Logging in a disc
Direct console commands
Transient commands
File and disc copying
System management
Disc generation

Chapter 4 Introduction to LOGO

What is LOGO
Dr LOGO procedures
Editing programs and procedures
Operating hints
Summary of Dr. LOGO primitives
Word and list processing
Arithmetic operations
Logical operations
Variables
Procedures
Editing
Text screen
Graphic screen
Turtle graphics
Keyboard, joystick
Sound
System primitives
System variables
System properties

Chapter 4 Technical information for the user – Firmware

Headers
Store requirements
Error messages
AMSDOS messages
BIOS messages
Disc organisation
Jump block interception – by AMSDOS
Jump block re-interception – by the user
Return parameters
Intercepted firmware calls

Appendices

Appendix 1 Glossary of terms
Appendix 2 End User Program Licence Agreement
Appendix 3 Index

AMSTRAD DDI-1

FOUNDATION COURSE

Foundations 1: Setting Up

Connecting the Mains Lead

The Amstrad disc drive operates from a 220-240V ~50Hz Mains Supply.

The Mains Lead is fitted at the rear of the unit. Fit a proper Mains Plug to the Mains Lead. If a 13 Amp (BS1363) Plug is used, a 3 Amp fuse must be fitted. The 13 Amp Fuse supplied in a new Plug must NOT be used. If any other type of Plug is used, a 5 Amp Fuse must be fitted either in the Plug or Adaptor or at the Distribution Board.

IMPORTANT

The wires in this Mains Lead are coloured in accordance with the following code:

Blue : Neutral
Brown: Live

As the colours of the wires in the Mains Lead of this apparatus may not correspond with the coloured markings identifying the terminals in your Plug, proceed as follows:

The wire which is coloured Blue must be connected to the terminal which is marked with the letter 'N' or coloured Black.

The wire which is coloured Brown must be connected to the terminal which is marked with the letter 'L' or coloured Red.

Disconnect the Mains Plug from the Supply Socket when not in use.

Never attempt to remove any screws, or open the case of the disc drive. Always obey the warning on the Rating Label which is located underneath the case of the disc drive:

WARNING LIVE PARTS INSIDE. DO NOT REMOVE ANY SCREWS

The POWER ON/OFF switch for the disc drive(s) is located on the rear panel of the unit.

Always ensure that any discs are removed from the drive(s) before switching the POWER switch ON or OFF.

Always switch the disc drives' POWER switch ON before switching the computer's POWER switch ON.

Connecting the DDI-1 to the Computer

1. Check that the computer and disc drive(s) are switched off.
2. Plug the Interface Unit firmly into the edge-connector marked FLOPPY DISC at the rear of the computer (See Figure 1)

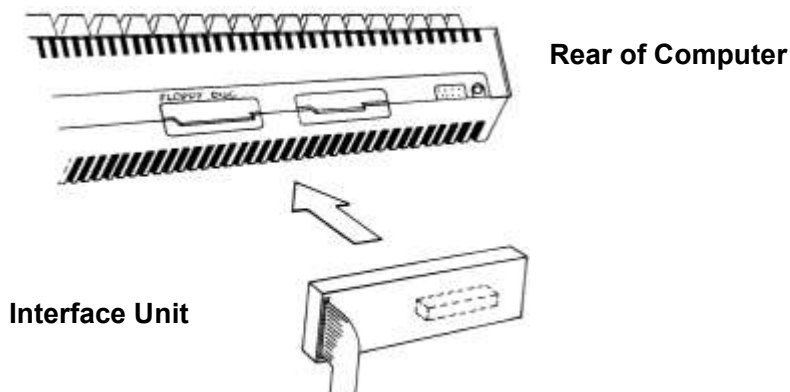


Figure 1

3. At the end of the ribbon cable from the Interface Unit, you will find a plug which is to be used for connecting to the main disc drive (Drive A), see Figure 2.

The plug which you will find slightly further back in the cable (see Figure 2) is to be used only for connecting to a second disc drive (Drive B); i.e. if you have purchased an additional Amstrad FD-1.

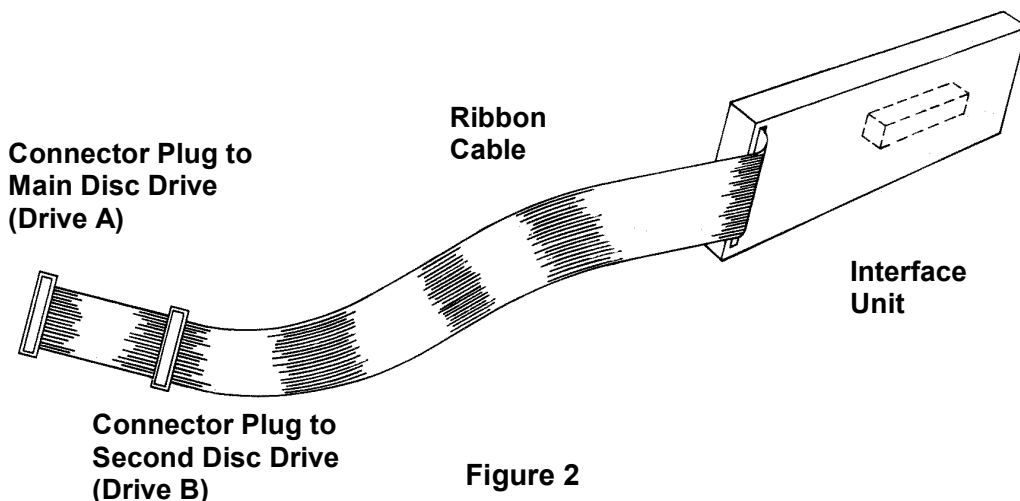


Figure 2

4. If you are operating with one disc drive only, connect the computer and disc drive as shown in Figure 3.

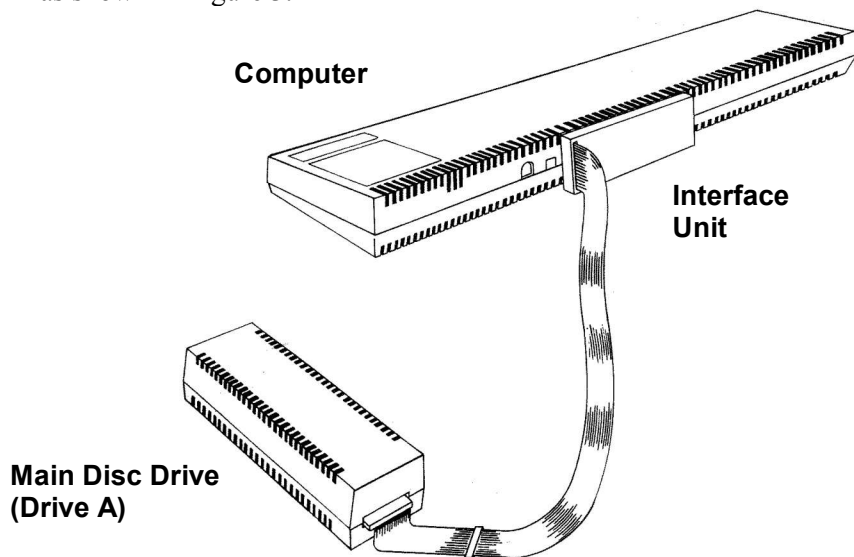


Figure 3

5. If you are operating with 2 disc drives, connect the computer and disc drives as shown in Figure 4.

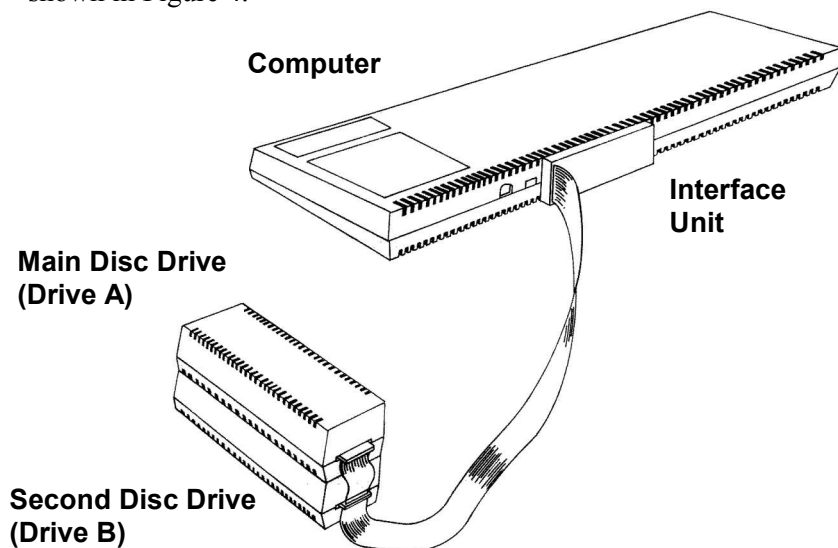


Figure 4

Switch on the disc drive(s) then the computer. Your system is now ready for disc operation.

IMPORTANT

- 1) For maximum data reliability, do not position your disc drive(s) closer than 20cm (8 inches) to the monitor, see Figure 5. It is recommended that you locate your disc drive(s) to the right of the computer (or MP-1 modulator/power supply if used).

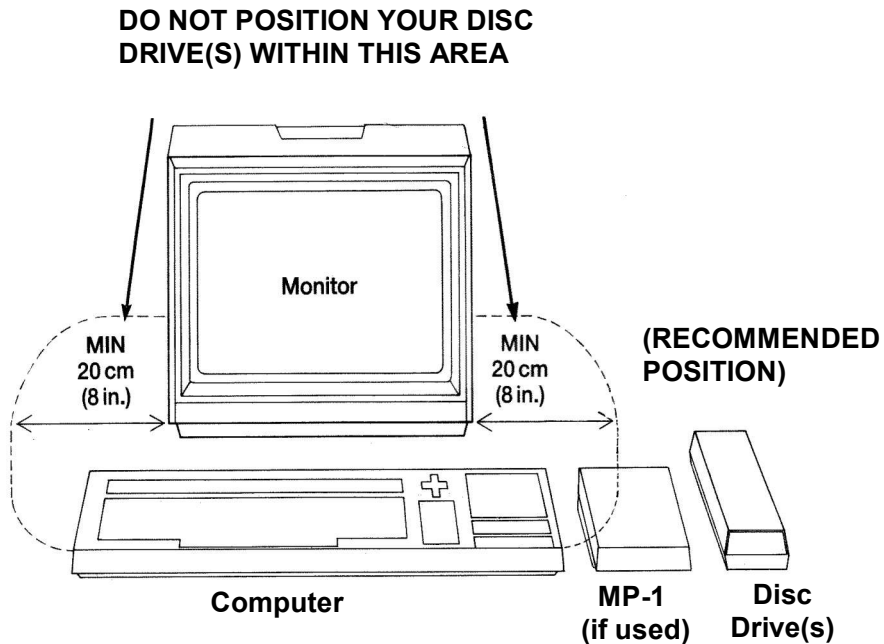


Figure 5

Always ensure that your disc drive(s) is not located close to any sources of electrical interference/noise which could give rise to data corruption.

- 2) Always ensure that your disc drive(s) and discs are not placed near strong magnetic fields such as those produced by televisions, hi-fi loudspeakers etc.
- 3) The ribbon cable from the interface unit to your disc drive(s) should not be placed parallel to the Mains Leads of the disc drive or monitor, nor close to the monitor.
- 4) Never block or cover the ventilation slots on the top, bottom, or sides of the disc drive(s).
- 5) Do not use or store the disc drive(s) in direct sunlight, or in excessively hot, cold, damp or dusty areas, or places subject to any heavy vibration.

Foundations 2: About Discs

The Amstrad disc drive uses 3 inch compact floppy discs. We strongly recommend that for reliable data-to-disc transfer, you use only Amsoft CF-2 compact floppy discs. Discs made by leading manufacturers however, may also be used.

Each side of a disc may be used separately. A disc should be inserted with its label facing outward from the drive, and with the side that you wish to use face up (See Figure 6).

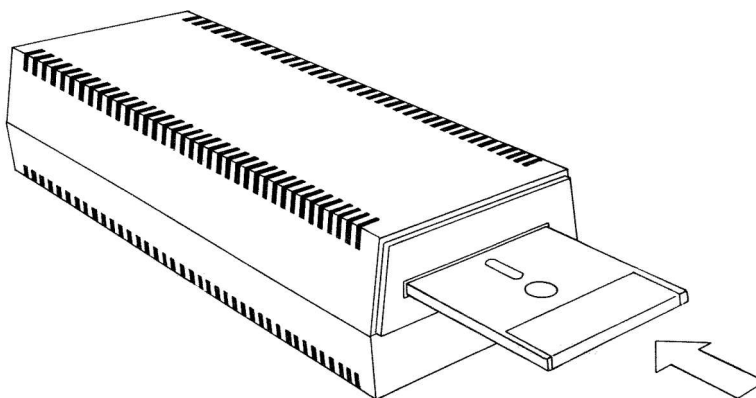


Figure 6

Write Protection

In the left hand corner of each side of a blank disc, you will see an arrow pointing to a small shuttered hole. This is called the Write Protect hole, and facilitates protection against erasure or 'overwriting'. See Figure 7.

Write Protect Hole

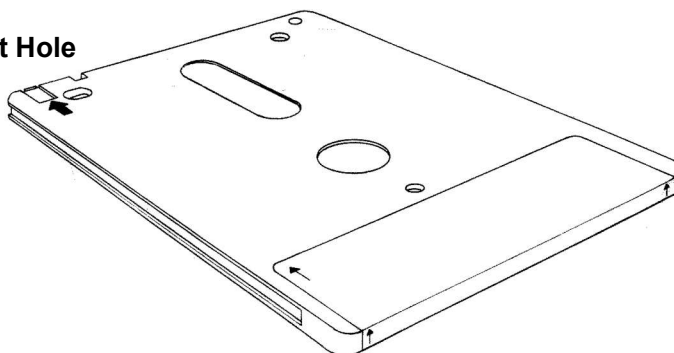


Figure 7

When the hole is closed, data can be 'written' onto the disc by the computer. When the hole is open however, the disc will not allow data to be written onto it, thus enabling you to avoid accidental erasure of valuable programs.

Various compact floppy disc manufacturers employ different mechanisms for opening and closing the Write Protect hole. The operation may be carried out on the Amsoft CF-2 compact floppy disc as follows:

To open the Write Protect hole, slide the small shutter located at the left hand corner of the disc, and the hole will be opened, See Figure 8(a).

Write Protect hole (OPEN)

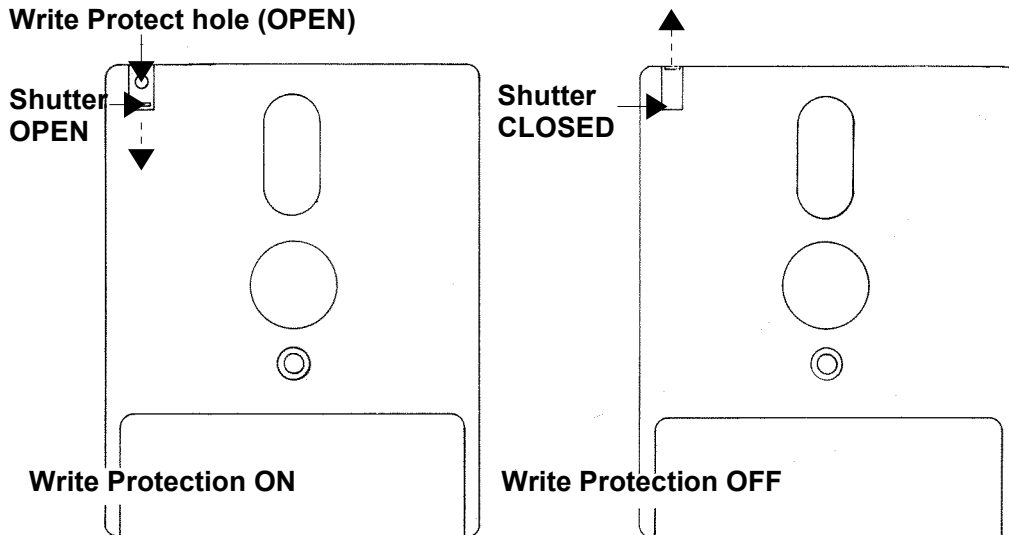


Figure 8(a)

Figure 8(b)

To close the Write protect hole, simply slide the shutter to its closed position, see Figure 8(b).

Some other compact floppy discs employ a small plastic lever located in a slot at the left hand corner, see Figure 9.

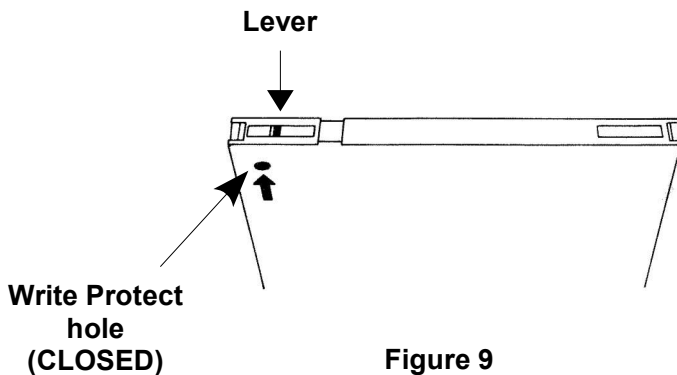


Figure 9

To open the Write Protect hole on this type of disc, slide the lever towards the middle of the disc, using the tip of a ball-point pen or similar object, see Figure 10.

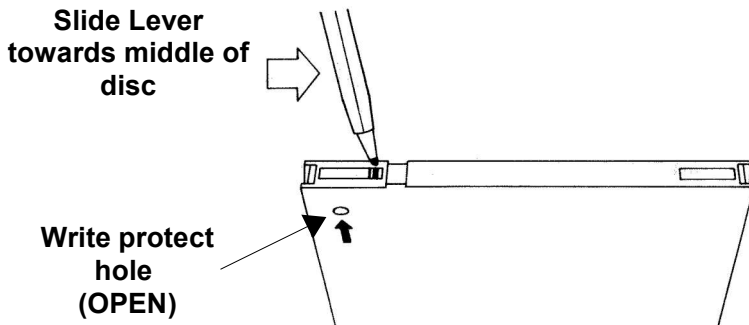


Figure 10

Note that regardless of the method employed to open and close the Write Protect hole, opening the hole in all cases facilitates protection against overwriting.

IMPORTANT

Always ensure that the Write Protect holes on your master CP/M disc are open

When Your Disc Is In

On the front of the unit, you will see a red indicator lamp, and a push button for Eject, see Figure 11.

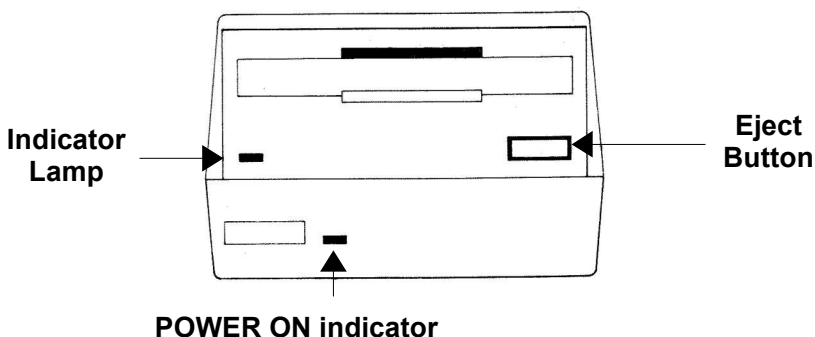


Figure 11

Indicator Lamp

The red indicator lamp has two functions:

If only one disc drive is connected (Drive A), the lamp indicates that data is being read from, or written to the disc.

If two disc drives are connected, the red indicator on Drive B will illuminate constantly, giving you a quick indication of which unit is Drive B.

When reading or writing to disc takes place however, the indicator reverts to its primary function of indicating that reading/writing is being performed.

Eject Button

Pressing in the Eject button allows you to remove your disc from the drive.

IMPORTANT

- 1. ALWAYS REMOVE YOUR DISC FROM THE DRIVE BEFORE SWITCHING THE SYSTEM ON OR OFF.**
- 2. DO NOT PRESS THE EJECT BUTTON WHILE THE DISC IS BEING READ FROM OR WRITTEN TO. EJECTING THE DISC AT THIS TIME WILL RESULT IN READ/WRITE ERRORS.**
- 3. THE MAGNETIC FLOPPY DISC IS PROTECTED BY ITS PLASTIC OUTER CASING. NEVER ATTEMPT TO GAIN ACCESS TO OR TOUCH, THE DISC ITSELF.**

It is assumed from here onwards in this manual, that you are familiar with the CPC-464 computer, and with its BASIC, and that you have carefully read and understood the CPC-464's User Instruction book.

Foundations 3:

Loading Software/Games

Software/Games available on disc for the Amstrad system are loaded many times more quickly than their cassette counterparts.

It is necessary however, to remember a few important rules concerning the names of programs to be loaded or run.

A command such as **RUN**" normally used when loading cassette software, is invalid during disc operation as the naming of the program to be run is obligatory on disc.

Program names (or filenames) on disc are comprised of 2 parts (or fields) separated by a dot .

The first field may contain up to 8 characters, and is usually the title of the game or program. The second field is optionally specifiable and usually relates to the type of program, e.g. BAS or BIN (BASIC or binary).

Note that filenames should not contain spaces or punctuation marks in the first or second field.

Note that the use of either UPPER or lower case letters is permitted when typing in AMSDOS or CP/M commands and filenames.

Further information on the naming of disc files will be found later in this manual under the sections concerning AMSDOS and CP/M.

For now, to run a program on disc such as 'Roland in the Caves' type in:

```
run "rolcave"
```

If you have inserted the software disc correctly the program will load in a few seconds, and will be ready for you to use.

If not, study any error message on the screen to see where you went wrong:

```
Drive A: disc missing  
Retry, Ignore or Cancel?
```

means that you have either not inserted your disc correctly, or that you have inserted it into Drive B.

```
ROLCAVE. not found
```

means that you have either inserted the wrong disc, or have not carefully typed in the exact name of the program.

(Always follow the loading instructions accompanying each software package).

Bad command

means that you have incorrectly named the program, either by exceeding the number of permitted characters in a field, or by introducing an unwanted space or punctuation mark.

Type mismatch

means that you have omitted the quotation marks

Syntax error

means that you mistyped the word **run**

Drive A: read fail

Retry, Ignore or Cancel?

means that the computer has failed to read data from your disc. Check that you have inserted the correct disc and press R to Retry. If the above message continues to appear when you attempt to run that particular disc, it is likely that the disc has been corrupted, or has not been correctly formatted using Amstrad CP/M.

Finally, if the message:

Press PLAY then any key:

appears on the screen, the disc drive(s) or the interface unit has not been correctly connected to the computer, or the disc drive is not plugged into the Mains Supply and switched on.

Note that if you wish to run a disc program after previously operating the Cassette Datacoder, it will be necessary to issue the **|disc** command, described in the next section.

MEMORY USAGE WARNING

The DDI-1 disc interface reduces the amount of memory available in the CPC464 by 1280 bytes. This may result in some cassette-based software failing to operate correctly if run whilst the disc system is connected to the computer.

The 'Home Runner' demonstration on the CPC464 Welcome cassette is an example of this aspect of operation.

If you encounter any such problems with cassette-based software, first eject any disc present in the drive(s), then switch off the computer and disc drive(s).

Unplug the interface unit from the rear of the computer, and then switch on the computer again. You will now be able to run the cassette in the normal manner.

Foundations 4:

Introducing AMSDOS and CP/M

When you switch your system on, the computer automatically runs internal checks to see which peripherals are connected to the rear sockets. If the computer senses that a disc drive(s) is connected, it will take any commands that would have been sent to the cassette datacorder, and direct them to the disc drive. Hence, typing in any of the commands:

```
load filename"
run "filename"
save "fitename"
chain "filename"
merge "filename"
chain merge "filename"
openin "filename"
openout "filename"
closein
closeout
cat
eof
input #9
line input #9
write #9
list #9
```

will act upon the disc instead of the cassette.

The **speed write** command however, always pertains to cassette operation, as there is no such facility as 'disc speed write'.

Having sensed therefore, that a disc drive is connected, the computer reverts to operation under the AMSDOS system. AMSDOS is an abbreviation of AMStrad Disc Operating System, and enables you to program in normal Amstrad BASIC, with the addition of extra commands for disc management.

These commands are called external commands, and are not available in the standard computer without the disc drive connected. The software governing these commands is contained in ROM (Read Only Memory) within the Disc Drive and Interface Unit.

External commands are preceded with a bar symbol |. (You will find the | symbol by holding down **[SHIFT]** and pressing the @ key.)

Some of the more common external commands that you will use are:

```
|a
|b
|tape (which can be sub-divided into |tape.in and |tape.out)
|disc (which can be sub-divided into |disc.in and |disc.out)
```

The commands **|a** and **|b** tell the computer which drive to direct any subsequent disc command.

Typing in for example:

```
|a  
load "filename"
```

will tell the computer to load the specified program from a disc placed in drive A.

If neither **|a** nor **|b** is initially entered or the computer is reset, the system will default to drive A.

If you are using only one disc drive, this can be regarded as drive A, and **|a** or **|b** commands need not be issued. Entering **|b** when only one disc drive is connected, will result in the message on the screen:

```
Drive B: disc missing  
Retry, Ignore or Cancel
```

to which you should respond **C** (to cancel).

The command **|tape** tells the computer to perform all loading and saving etc. commands onto tape instead of disc. Unless **|tape** is entered, the computer will always default to disc operation when switched on or reset.

To return to disc operation after **|tape** has been specified, type in:

```
|disc
```

Alternatively, you may for example wish to load in from cassette and save out to disc. You may then use the command:

```
|tape.in
```

this command tells the computer to read data in from cassette, but continue to write data out onto disc (default).

Similarly, to read data in from disc and save out onto cassette, you will first need to type in: **|disc.in** to countermand the previously issued **|tape.in** (above), then: **|tape.out** to tell the computer to write data out onto cassette.

It can be seen therefore that **|tape.in** and **|tape.out** countermand **|disc.in** and **|disc.out** respectively, and vice versa.

Further information on directing data to and from discs and cassette will be found later in this manual under the sections concerning AMSDOS and CP/M.

Storing Data Onto Disc

Before writing any data onto a new blank disc, the disc itself must first be formatted. Formatting can be likened to building a series of shelves and dividers onto a disc prior to the storage of information on those shelves; in other words, laying down an organised framework around which data can be put in or taken out.

Formatting divides one side of the disc into 360 distinctly separate areas, see figure 12.

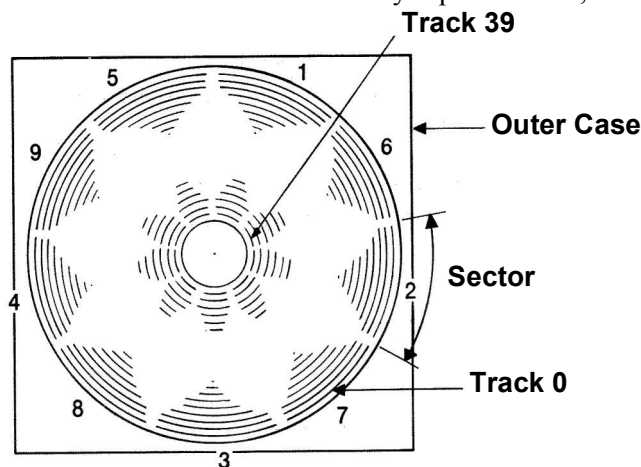


Figure 12

There are 40 tracks from the outside of the disc (Track 0), to the inside (Track 39), and the circumference of the disc is divided into 9 sectors.

Each track in a sector can store up to 512 bytes of data; hence the total available space on each side of a disc is 180kbytes.

First Steps Using The CP/M Disc

To prepare a new blank disc for reading and writing your own programs onto, you will need to format using the CP/M disc.

Switch the system on, and insert the CP/M disc supplied, into the drive.

(If you are operating 2 disc drives always insert the CP/M disc into Drive A.)

Type in:

```
| cpm
```

This command hands over control of the operating system from AMSDOS to CP/M, (CP/M stands for Control Program for Microcomputers).

After a few seconds you will see the following message on the screen:

```
CP/M 2.2 - Amstrad Consumer Electronics plc.  
A>
```

This is a 'Sign on' message indicating that the operating system is under the control of CP/M.

The displayed **A>** on the screen is a prompt, (similar to **Ready** during normal BASIC operation) indicating that the computer is awaiting your instructions.

CP/M uses several prompts, all of which will be explained later in this manual under the section concerning CP/M.

Once you are operating CP/M, you cannot enter BASIC commands into the computer, as these will not be understood.

If for example, you type in the BASIC command:

```
cls
```

The Computer will return your entry, together with a question mark:

```
CLS?
```

indicating that it does not understand your command.

To briefly look at some of the CP/M commands, type in:

```
dir
```

On the screen you will see a directory of CP/M and utility COMmands one of which is format. Type in:

```
format
```

On the screen you will see:

```
Please insert disc to be formatted into drive A  
then press any key
```

Remove the CP/M disc and insert your new blank disc, then press any black or blue key. Formatting will start, commencing at Track 0 and ending at track 39, after which you will be asked on the screen:

```
Do you want to format another disc (Y/N) :
```

If you wish to format the other side of your blank disc, or format another disc, type Y (for Yes) and you will receive the initial message once again.

The formatting process can be repeated any number of times until you answer the repeat question N (for No), whereupon the system will ask you to:

**Please insert a CP/M system disc into drive A
then press any key:**

After doing so, the computer will return you to direct mode CP/M (console mode), and will await your next command. Other CP/M commands will be dealt with later in this manual but for now, having learnt to format with CP/M, we will return to AMSDOS by typing in:

amsdos

Always keep a master copy of your CP/M disc in a safe place, as it is literally the key to your system. Later on in this manual, you will be shown how to make a 'working copy' of your CP/M disc, so that you can keep your master copy safely locked away!

BEWARE

**FORMATTING A PREVIOUSLY RECORDED DISC WILL ERASE ITS
CONTENTS.**

You will not be able to format a disc which has its Write Protect hole open. Attempting to do so will result in the message on the screen:

**Drive A: disc is write protected
Retry, Ignore or Cancel?**

Press C to cancel, then follow the instructions on the screen.

The format mode will then be abandoned.

... Back to AMSDOS

Now that we have a formatted blank disc (or two), we can start to manipulate BASIC programs to and from disc (and cassette) using AMSDOS.

Saving a Program in Memory onto Disc

Having typed a program into the computer's memory, save it onto disc by typing in:

save "filename"

Once again note that the naming of the program is obligatory, and that it should contain no more than 8 characters in the first field, and up to 3 characters in the second field. If you do not specify a second field, AMSDOS will place a token such as BAS (short for BASIC) there.

Note also that filenames should not contain spaces or punctuation marks in the first or second field. A dot . is used to separate fields.

Further information on the naming of disc files will be found later in this manual
Foundation 4.5 **AMSTRAD Disc Drive & Interface DDI-1 Manual**

under the sections concerning AMSDOS and CP/M.

As an example of saving to disc, write a short program into the memory, insert a formatted disc, then type in:

```
save "example"
```

After a few seconds, the prompt **Ready** will appear on the screen, and the program will have been saved onto disc. (If not, check any error message on the screen to establish whether you either forgot to insert your disc into the correct drive, forgot to close the write protect hole, mistyped the command or even forgot to plug in the disc drive(s) and switch on!).

Binary, protected and ASCII text files may be saved onto disc using the normal ,b ,p and ,a suffixes as with cassette saving.

Disc filenames do not require the use of a preceding exclamation mark ! to suppress reading/writing prompts and software messages on the screen. Any preceding ! will be removed from the filename and ignored by AMSDOS.

Catalog

Like cassettes, discs can be catalogued, but at much greater speed. After saving the above program, type in:

```
cat
```

On the screen you will see:

```
Drive A: user 0  
EXAMPLE.BAS  
1K
```

The filename will be displayed, including any specified or token second field. together with the file length (to the nearest higher kbyte).

Loading From Disc

Programs may be loaded from disc then run, using the commands:

```
load "filename"  
run
```

or they may be run directly using the command:

```
run "filename"
```

Note that protected programs may be run directly only.

If you are operating 2 disc drives, you may specify which Drive (A or B), that you require a function to be performed on, by issuing the command |a or |b before the save, cat, load or run instructions.

Copying Programs From Disc to Disc

Using the commands already learnt in this section, it can be seen that disc to disc program copying is performed simply by loading the program into the memory from the source disc, removing the source disc, and saving the program onto the destination disc.

To save a program from disc to disc using 2 disc drives, you may prefer to insert your source disc into, for example, Drive B, and your destination disc into Drive A. To copy a program in this way, type in:

```
|b  
load "filename"  
|a  
save "filename"
```

To copy the entire contents of one disc to another, it will be found much easier and faster to use the **DISCCOPY** and **COPYDISC** facilities on the CP/M disc, than to repeatedly load and save each program individually.

A brief description of how to use **DISCCOPY** and **COPYDISC** will be found later in this section, and a more detailed account will be given under the section concerning CP/M.

The **DISCCOPY** and **COPYDISC** facilities can be used to produce a 'working copy' of the CP/M system disc itself.

Copying Programs From Cassette to Disc

Insert the program cassette into the datacorder, then type in:

```
|tape.in  
  
load "program name" or load""
```

The computer will respond with:

Press PLAY then any key:

After the program has loaded and the cassette has stopped, type in:

```
save "filename"
```

Note that protected programs and software/games will not be able to be copied onto disc or cassette.

Copying Programs From Disc to Cassette

Insert the program disc into the drive. If you have been previously loading in programs from cassette, type in:

```
|disc.in
```


then type in:

```
load "filename"
```

After the program has loaded and the **Ready** prompt appears, save the program onto cassette by typing in:

```
|tape.out  
save "program name" or save""
```

The computer will respond with:

```
Press REC and PLAY then any key:
```

After the cassette has stopped, the program from disc will have been saved onto cassette.

Note that the command `|tape` directs both input and output data to tape (equivalent to issuing `|tape.in` and `|tape.out` commands). Similarly `|disc` directs both input and output data to disc.

Copying Using the CP/M System Disc

The entire contents of a disc can be copied from one to another using the CP/M system disc. If you have connected only one disc drive to the computer, use the **DISCCOPY** facility.

If you are operating 2 disc drives you will find it easier and faster to use the **COPYDISC** facility.

Copying Using DISCCOPY

Insert the CP/M system disc and type in:

```
|cpm
```

After the prompt **A>** appears on the screen, type in:

```
disccopy
```

The computer will ask you to:

```
Please insert source disc into drive A  
then press any key
```

Remove the CP/M system disc from the drive, and insert the disc that you wish to copy. If you wish to copy the CP/M disc itself, simply leave the CP/M disc inserted in the drive.

When the source disc is inserted and you have pressed a key, the computer will display the message:

```
Copying started  
Reading track 0 to 7
```

After which, you will be asked to:

```
Please insert destination disc into drive A  
then press any key
```

Whereupon you should remove your source disc and insert a disc for copying onto.

Bear in mind that any previous data on your destination disc will be overwritten during copying.

If you insert a wrongly formatted or new unformatted disc into the drive, it will be correctly formatted automatically during copying.

After you have inserted your destination disc and pressed a key, the computer will display the message:

```
Writing track 0 to 7
```

and will then invite you to insert the source disc once again for reading tracks 8 to 15. The reading/writing process will continue, 8 tracks at a time, until the last track (39) is completed.

You will then be asked:

```
Do you want to copy another disc (Y/N):
```

If you have finished copying, answer N, then follow the instructions on the screen to exit from the **DISCCOPY** mode.

Copying Using COPYDISC

COPYDISC can only be used if you are operating 2 disc drives. The facility enables you to copy the entire contents of one disc to another, in a similar manner to **DISCCOPY** previously described. The advantage of **COPYDISC** however, is that you do not have to repeatedly insert and remove the source and destination discs.

Having read and understood the principles of **DISCCOPY**, **COPYDISC** may then be performed as follows:

Insert the CP/M system disc and type in:

```
| cpm
```

After the prompt **A>** type in:

```
copydisc
```

Follow the instructions on the screen, and the contents of your source disc will be copied onto your destination disc 8 tracks at a time, until the last track (39) is completed. Like **DISCCOPY**, **COPYDISC** incorporates automatic formatting if required. **COPYDISC** can be used to produce a 'working copy' of the CP/M system disc itself.

Checking Discs

The CP/M system disc provides facilities for comparing one disc against another to check for error free data copying.

If you have connected only one disc drive to the computer, select CP/M then type in:

discchk

Follow the instructions on the screen, and the destination disc will be checked against the source disc. If the computer detects a difference between the discs, it will display the message:

**Failed to verify destination disc correctly:
track x sector y**

Otherwise, the computer will continue to check through the discs, 8 tracks at a time, until checking is completed. If an error was detected, a final **WARNING:** will be displayed on the screen, before asking whether you wish to check another disc.

If you are operating 2 disc drives, disc checking may be carried out with more speed and ease, using the **CHKDISC** facility. This operates in a similar manner to **DISCCHK** previously described. The advantage of **CHKDISC** however, is that you do not have to repeatedly insert and remove the source and destination discs. To use **CHKDISC**, select CP/M then type in:

chkdisc

and follow the instructions on the screen.

Aborting

Note that functions performed using the CP/M system disc can be aborted by holding down **[CTRL]** and pressing the **C** key. Doing so will return you to CP/M console mode.

As an example, select CP/M and type in:

disccopy

When the computer invites you to insert a disc, press **[CTRL]C**. The function will then be aborted.

Further information on **DISCCOPY**, **COPYDISC**, **DISCCHK** and **CHKDISC** together with **FORMAT** and other CP/M commands will be found later in this manual under the section concerning CP/M.

To conclude this 4-part Foundation course, here is a brief summary of the Important points covered so far:

INSTALLATION

1. Always connect the Mains Lead to a 3 pin plug following the instructions contained in the first section entitled, 'Setting Up'.
2. Never connect the disc drive(s) to any Mains Supply other than 220-240V ~ 50Hz.
3. There are no user serviceable parts inside the unit(s). Do not attempt to gain access into the equipment. Refer all servicing to qualified service personnel.
4. Do not position your disc drives closer than 20cm (8 inches) to your monitor, nor close to any source of electrical interference.
5. Keep disc drives and discs away from magnetic fields.
6. Keep the ribbon cable away from Mains Leads.
7. Do not block or cover any ventilation holes.
8. Do not use or store the equipment in excessively hot, cold, damp, or dusty areas.

OPERATION

1. Always remove any disc from the drive(s) before switching the system on or off.
2. Always switch the disc drives' POWER switch ON before switching the computer's POWER switch ON.
3. Do not press the Eject button while reading or writing is being performed on a disc.
4. Ensure that you do not lose or accidentally overwrite your CP/M system disc. You are advised to make a 'working copy' of the disc, and to ensure that its Write Protect holes are open.
5. Never touch the floppy disc itself, inside its protective casing.
6. If you are using cassette based software while the DDI-1 system is connected to the computer, observe the Memory Usage Warning on page F3.2 of this Foundation Course.

CHAPTER 1

Making Working Discs.

This chapter discusses how to make discs to use from day to day, and introduces some facilities of CP/M and its Utility programs.

Subjects covered are:

- Making a backup Master System/Utilities disc
- Constructing a Working Systems/Utility disc.
- Operating with a BASIC only disc.
- Installing a Turnkey AMSTRAD BASIC application.
- Installing a Turnkey CP/M application.

The foundation course has described how to format a blank system disc, which you can use for BASIC and games as well as CP/M, and how to make exact copies of discs with the **DISCCOPY** (one drive) or **COPYDISC** (two drive) programs. This chapter considers how to make discs with the programs that you want on them.

1.1 Backup Master Disc

It is most important to make a copy of the Master System/Utility disc provided with your DDI-1 and keep the original safe - it will be very costly to replace if damaged! Remember that the disc supplied has two sides, the System/Utilities side and the Dr LOGO side. Every disc, in fact, has two sides and you are free to use either side for any purposes.

Remember that if you are using a fresh disc to copy onto, the **DISCCOPY** and **COPYDISC** programs will format for you as well as doing the copying.

1.2 A working SYSTEM/UTILITY disc.

You will find that, as well as making a day-to-day copy of your Master System/Utility disc and Dr LOGO disc, it is most convenient if you make a 'working utility disc' containing a few of the programs from the Master System/Utility disc that you use the most. This will still leave plenty of room for your programs. Should you require to run any other utility programs then you can always obtain them from your copy of the Master System/Utility disc. All the more commonly used programs will, however, be at your fingertips.

First use CP/M and the **FORMAT** program to create a new blank disc. Then use the CP/M program **FILECOPY** to copy each program that you want, onto the new disc. Experience will tell you which programs you'll want to have handy. In this example we have chosen **AMSDOS.COM**, **FILECOPY.COM** and **DISCCOPY.COM**.

Using your copy of the Master System/Utilities disc as the CP/M system disc, select CP/M, and at the **A>** prompt type **FILECOPY FILECOPY.COM** and follow the displayed instructions. (The **SOURCE** disc is the one initially in the drive and the **DESTINATION** disc is the new disc you are creating). When it has finished, copy the other two programs by the commands **FILECOPY AMSDOS.COM** and **FILECOPY DISCCOPY.COM**

Once you have made one working system/utilities disc with your selection upon it, you can prepare the second side of that disc or both sides of other discs simply by using the **DISCCOPY** or **COPYDISC** programs. Take note however of the copying restrictions laid down in the End User Licence Agreement, in Appendix 2 of this manual.

1.3 A BASIC only disc.

Tracks 0 and 1 of a system disc are reserved by CP/M and cannot be used by you. If you want to use all the space on a disc for games, programs or data in BASIC, and NEVER intend to use CP/M or ANY of the CP/M utilities on that disc, it can be formatted without the CP/M system tracks. It is then called a data disc.

The disc must be formatted using an option of the format program: type **FORMAT D** instead of **FORMAT**. To copy programs onto this disc you must use **FILECOPY** (loaded from a system disc) or **LOAD** and **SAVE** them from BASIC. In a two drive system it is possible to use the CP/M utility **PIP**. The programs **COPYDISC** and **DISCCOPY** will format the destination disc to the same as the source.

1.4 Turnkey AMSTRAD BASIC discs

If you buy an application program written in AMSTRAD BASIC for the CPC464 it should be ready to operate when you switch on. (The expression "Turnkey" comes from the days when all small computers had a key-operated power switch). All you have to do is install it on a suitable working disc

1.4.1 Turnkey BASIC using disc supplied.

Simply copy the master disc, with **COPYDISC** or **DISCCOPY**, preserve the master disc and use the copy. Follow the instructions provided to run the program. If you require any additional programs from your Master System/Utility disc, use **FILECOPY** to transfer them.

1.4.2 Turnkey BASIC onto your Working disc.

In this case, copy the supplied programs onto your existing disc. Type **FILECOPY** and follow the instructions. In particular answer N to the question:

Ambiguous file name: Confirm individual files (Y/N)?

The **FILECOPY** program will inform you of the filenames as they are copied. You can then run the new application program from your upgraded working disc.

1.5 Turnkey CP/M Discs

The CP/M operating system allows you to load and run an immense library of software which has already been written for personal computers that support CP/M. The fundamental 'logic' of these programs has already been devised; all that is required to use them on your CPC464 is to establish them on a suitable diskette and maybe to inform them of the particular method that the CPC464 uses to operate the screen.

A set of programs on one disc designed to fulfil a specific application is called a 'package'. These packages are normally designed to work on a large range of different computers, each of which has its own size of screen and way of moving the cursor around. Sometimes the package you buy will have already been 'installed' for the CPC464 or cater for it in a menu of alternative installations. In these cases, simply follow the instructions provided with the software. If the package does not have a CPC464 variant built in then section 1.5.2 ahead indicates the commands that can be sent to the CPC464 screen to produce the sorts of effects that packages require. Normally the installation, or customisation procedure will involve typing in the relevant codes when requested to. Again, follow the instructions provided with the package.

The software you have purchased must be on a disc suitable for use in the CPC464. Almost every different computer uses a different form of disc. Although many have the same size of disc this does not necessarily mean that there is any compatibility between one and another in the information contained on them. Ask your supplier for a 3" AMSTRAD CPC464 version.

1.5.1 Creating a Turnkey CP/M System disc.

It is wise to preserve the original master disc containing the new software package and transport the programs to another disc.

Although the instructions below are for a single drive disc system, it is in general, simplest to follow them also if you have a twin disc system (by ignoring the second drive).

Firstly format a new system disc. Then copy all the programs from your master package disc using **FILECOPY** from your System/Utility disc.

Type **FILECOPY *.*** and follow the instructions on the screen. In particular answer N to the question:

Ambiguous filename: Confirm individual files (Y/N) ?

The **FILECOPY** program will inform you of the filenames as they are copied.

When the **FILECOPY** program has finished you will have a working copy of the turnkey disc. If you require any utilities, copy them from your System/Utilities disc using **FILECOPY**.

1.5.2 Configuring a CP/M Program

The CPC464 supports a wide range of control codes suitable for customising a software package to run with CP/M. Most data-processing and many other packages require to be able to print messages at any part of the screen, accept input from any part of the screen and generally understand cursor controls.

If your package has already been customised for the CPC464 then you need not concern yourself further.

1.5.2.1 Configuring the Output from the package.

The installation procedure for a package will normally consist of running a special program (often called **INSTAL**) which will ask a number of questions about the parameters of the CPC464 screen. The answers should be derived from the table below, which is an extract from the Amstrad BASIC reference Manual SOFT157:

Value Hex	Value Decimal	Operation
&07	7	Sound Bleeper
&08	8	Move cursor back one position.
&09	9	Move cursor forward one position.
&10	10	Move cursor down one line.
&0B	11	Move cursor up one line.
&0C	12	Home cursor and clear screen.
&0D	13	Move cursor to left edge of window on current line.
&10	16	Delete character at cursor position.
&11	17	Clear from left edge of window to and including the cursor position.
&12	18	Clear from and including the current cursor position to right edge of window.
&13	19	Clear from start of window to and including the current cursor position.

Value Hex	Value Decimal	Operation
&14	20	Clear from and including the current cursor position to end of window.
&18	24	Toggle into/out of Inverse video.
&1E	30	Home cursor.
&1F <c> <r>	31 <c> <r>	Move cursor to given position in current window.<c> is column, normally 1..80, <r> is row, normally 1-25.

1.5.2.2 Configuring the Input to the package.

The programs in the package will expect to be able to interrogate the keyboard. Most of the keys on the CPC464 keyboard return standard values except for the cursor keys. It is possible to use the SETUP utility (see CP/M primer) to re-define the codes produced by the keyboard, although, where possible, it is preferable for each different package to be configured to accept the standard default values.

The column marked 'WP Value' in the table below indicates typical values which might be set into the keyboard via the SETUP utility in a word processing environment if, for example, cursor codes are required from both the cursor key cluster and a portion of the keyboard, and the Word Processing package is only capable of recognising one unique code for each operation.

The installation procedure for a package will normally consist of asking a number of questions about the parameters of the CPC464 keyboard. The answers should be derived from the table below, which is an extract from the Amstrad BASIC reference Manual SOFT157:

Key Name	Value Hex	Value Decimal	[Key number if required to use SETUP utility]	WP Value (Decimal)
Cursor up	&F0	240	0	5
Cursor right	&F3	243	1	4
Cursor down	&F1	241	2	24
Cursor left	&F2	242	8	19
C1r	&10	16	16	7
Return	&0D	13	18	13
Space	&20	32	47	32
Escape	&FC	252	66	27
Tab	&09	9	68	9
Del	&7F	127	79	127

1.5.3 Starting a Turnkey CP/M Package.

Normally all that is required is to type the package's main program name at the **A>** prompt. For example, to run a wages program called **PAYROLL.COM** simply type **PAYROLL**

1.5.4 Autostarting a Turnkey CP/M Package.

It is possible to arrange for the CP/M operating system to automatically run a particular program every time CP/M is entered using a particular diskette. This is performed by one of the options in the **SETUP** program. (See CP/M primer for details).

CHAPTER 2

AMSDOS Primer

This chapter describes AMSDOS, covering all the available commands and their uses. It details the format of filenames and provides a reference guide to the commands. Each step is illustrated by the use of examples.

Subjects covered in this chapter:

- Introduction to AMSDOS
- Disc Directory
- The format of file names
- AMSDOS file headers
- Wild cards
- An example program using AMSDOS Commands
- Reference Guide to AMSDOS Commands
- Manipulating files
- Reference guide to Error Messages

2.1 Introduction.

AMSDOS extends the AMSTRAD BASIC supplied with your CPC464 by the addition of a number of external commands and by re-defining some of the existing BASIC commands. The additional external commands are identified by the | (bar) symbol and are automatically available from ROM when the DDI-1 disc interface is plugged onto the CPC464.

NOTE that where a string expression is required by an external command it must be passed a string variable address. See ERA as an example. Note also that it is not permitted to include the | (bar) symbol in a REM statement.

AMSDOS allows the user to change discs freely, as long as no files are in use -in which case an error message will be displayed and there could be a loss of data if the open file was being written to.

2.2 Disc Directory

Every disc has two sections, the directory and the data area. The directory contains a list of all the filenames and a 'map' of whereabouts on the disc each file is to be found. AMSDOS or CP/M can calculate the size of a particular file by inspecting its directory entry. Calculation of the amount of space left on a disc is made by adding up all the files in the directory and seeing how much remains unused.

Whenever a file is read its directory entry is examined, giving the disc location. When a new file is created free space is allocated to it and when a file is erased the space is relinquished. The directory works in units of 1K and can have up to 64 different entries. Large files will have one entry for every 16K although normally this fact is hidden from the user.

2.3 AMSDOS filenames and filetypes.

When using the CPC464 datacoder, filenames are permitted up to 16 characters and do not normally contain any information about the type of file (eg BASIC, Binary etc.) This information is contained in a small record at the beginning of the file, called the header, and can be displayed by using the CAT command. When using disc systems it is standard practice to name disc files in such a way that there is an indication of which type they are. This naming convention DOES NOT 'force' the computer to use the file in any particular way, but some programs will only accept a file when it has the correct type of name. BASIC will accept any type of name, but will search in preference for certain file types if not otherwise specified. (See section 2.3.2)

2.3.1 Construction of Filenames

The filename is constructed from two parts with a . separating them. The first part can be up to 8 characters long, and the second up to 3 characters long. Thus, for example, "SCREEN.BIN", "WELCOMED. BAS" and "FORMAT.COM" are all legal filenames. The second part of the filename is called the filetype. Filenames and filetypes and can be composed of a mixture of letters and numbers, but cannot have embedded spaces. Some common conventional filetypes are:

- .<space> Unspecified type. May be a data file created by an OPENOUT "RESULTS" or BASIC program saved by AMSDOS using SAVE "PROGRAM",A style.
- .BAS BASIC program saved by AMSDOS using SAVE "PROGRAM" or SAVE "PROGRAM",P or SAVE "PROGRAM.BAS",A styles.
- .BIN Program or area of memory saved by AMSDOS using SAVE "MEMORY",B,<binary parameters>, style.
- .BAK Old version of a file, where AMSDOS or a utility program has saved a newer version of a file using an existing name. This allows the user to back-track to the previous version if required.
- .COM Command file. CP/M utility programs are all of this filetype.

2.3.2 AMSDOS headers

AMSDOS automatically SAVES files with a suitable type identifier so it is not normally necessary to specify one, unless you wish to override the defaults described previously. AMSDOS BASIC program files, protected BASIC program files and binary files are saved to the disc with a header record (similar to that recorded to cassette) so that the AMSDOS **LOAD** command can recognise them and take the appropriate action. (As on Tape, the **LOAD** command does not need to be told by the programmer whether the file to be LOADED is BASIC, Protected BASIC, Binary or an ASCII program - it works this out from the header). If the AMSDOS LOADER cannot find a header it assumes that the file is a program in ASCII, ie plain text.

Notwithstanding the contents of the header, when the AMSDOS loader is asked to **LOAD** a file where no filetype is specified, it first looks for a file of type `.<space>`, then if that does not exist on the disc, one of type `.BAS` then one of type `.BIN`.

This allows the user to abbreviate the filename, ie not needing to specify the file type, in most instances.

A disc data file started with the command **OPENOUT** and subsequently written to will have no header and the contents will be in ASCII, ie plain text, from the BASIC **WRITE**, **PRINT** or **LIST** commands. The disc command **OPENIN** will search for files in the same order as **LOAD** if no file type is specified.

2.3.3 Filenames on two drives

On a two drive system, files can exist on either drive. The computer will not automatically look for a file on both drives so the user must specify which drive to use. You can either employ the **|A** or **|B** or **|DRIVE** commands (full description section 2.5.2) to select one or other drive, and then use a normal file name, or alternatively you can override the default drive assignment by specifying the drive as a A: or B: prefix to the filename. Thus, for example

```
|B
SAVE "PROG.BAS"
|A
```

and

```
|A
SAVE "B:PROG .BAS"
```

both save the program on the second drive, Drive B

2.3.3 Wild cards

It is often required to perform some disc operation (Cataloguing, copying, erasing etc) on a number of disc files. When a filename is specified for a particular operation, the software scans the disc directory looking for a name which exactly matches. It is possible, where the command allows, to perform the operation on a set of files where some of the characters can be 'don't care'. This is shown by using the character ? in the don't care position. If the whole block of the filename or type specifier is 'don't care' then the block of ?'s can be abbreviated to the symbol * . Thus, for example, FRED.* is shorthand for FRED.??? and F*.BAS is shorthand for F??????? .BAS . Finally the expression *.* means 'all files'.

example:

DIRECTORY	Match *.BAS	Match FRED?.BAS	Match F*.BA?
BERT . BAS	BERT . BAS		
FRED1 . BAS	FRED1 . BAS	FRED1 . BAS	FRED1 . BAS
FRED2 . BAS	FRED2 . BAS	FRED2 . BAS	FRED2 . BAS
FRED3 . BAK			FRED3 . BAK
FRED3 . BAS	FRED3 . BAS	FRED3 . BAS	FRED3 . BAS
FINISH . BAS	FINISH . BAS		FINISH . BAS

2.4 Examples of Using AMSDOS Commands in a program.

To give you a good understanding of the AMSDOS commands, we recommend that you work through the examples, referring to the relevant sections in the rest of this chapter as you go. DO NOT operate these programs with your original Master System/Utility disc installed - the program writes to the disc and you should NEVER risk writing to the master disc. Use a working disc or copy instead.

2.4.1 Saving variables and performing a Screen Dump

NOTE: the use of .DAT and .SRN filetypes. These filetypes are used to remind us of what is in the file, rather than because they have any inherent significance. The file PARAM.DAT will be an ASCII data file without a header, whilst FLAGDUMP.SRN is an AMSDOS Binary file with a header. The programs have been provided on your Master System/Utility disc in unprotected ASCII form.

The first example (EX1.BAS) draws a Union Jack flag and then saves the whole screen to disc. To run it type RUN"EX1". As we discussed, AMSDOS will search automatically adding the .BAS filetype for you. The particulars of the screen dump, namely the screen mode, palette colours and name of file containing the actual information are saved into a parameter file. This illustrates the use of a data file to WRITE program variables (dumpfile\$) and constants (1), saving them for use by another program.

```

10 DIM colour(2)
20 MODE 1:ORIGIN 0,0,0,640,0,400 : REM reset screen
30 dumpfile$="flagdump.srn"
40 FOR i=0 TO 2
50 READ colour(i): REM Get colours from DATA statement
60 INK i,colour(i)
70 NEAT
80 OPENOUT "Param.dat"
90 WRITE #9,dumpfile$,1: REM save filename and mode
100 FOR i=0 TO 2
110 WRITE #9,colour(i): REM save colours
120 NEXT i
130 CLOSEOUT
140 BORDER 0
150 FOR x=-65 TO 60 STEP 2
160 MOVE x,400:DRAWR 24,-150,1
170 MOVE x,0:DRAWR 240,150
180 NEXT x
190 FOR x=575 TO 700 STEP 2
200 MOVE x,400:DRAWR -240,-150
210 MOVE x,0:DRAWR -240,150
220 NEXT x
230 FOR x=-40 TO 0 STEP 2
240 MOVE x,400:DRAWR 240,-150,2
250 NEXT x
260 FOR x=0 TO 40 STEP 2
270 MOVE x,0:DRAWR 240,150
280 NEXT x
290 FOR x=640 TO 680 STEP 2
300 MOVE x,0:DRAWR -240,150
310 NEXT x
320 FOR x=600 TO 640 STEP 2
330 MOVE x,400:DRAWR -240,-150
340 NEXT x
350 ORIGIN 0,0,260,372,0,400:CLG 1
360 ORIGIN 0,0,0,640,150,250:CLG 1
370 ORIGIN 0,0,284,348,0,400:CLG 2
380 ORIGIN 0,0,0,640,169,231:CLG 2
390 SAVE dumpfile$,b,&C000,&4000
400 DATA 2,26,6

```


The second example (EX2.BAS) is a general purpose screen dump displaying program, using a parameter file to control its action. Note how variables are INPUT from the data file, with the EOF function allowing automatic variation in the size of the file. It is important that the screen dump displayed by this program was saved with the screen in a known position in memory, otherwise the result will be 'skewed'. This is ensured by the saving program executing a MODE command and thereafter being careful not to cause the screen to scroll.

```
10 DIM colour(15) : REM Provision for 16 colours
20 OPENIN "param.dat"
30 INPUT #9, filename$, screenmode
40 i=0
50 WHILE NOT EOF
60 INPUT #9, colour(i)
70 INK i, colour(i)
80 i=i+1
90 WEND
100 CLOSEIN
110 MODE screenmode:BORDER 0
120 LOAD filename$
```

2.4.2 Pre-empting a Garbage Collection.

If the program performing data file transactions has a number of string variables, particularly string arrays, it will speed the OPENing of files if the computer is persuaded not to perform a garbage collection at that time. Garbage collection is the process by which the BASIC clears away and tidies up the memory space used for strings in order to dynamically allocate a buffer for the file transfer.

If a program does indeed operate a number of string variables and arrays, incorporate the lines below into the program, and a file buffer will be permanently allocated, which will prevent garbage collection when subsequent files are opened. Note that the lines below should be incorporated after any **SYMBOL AFTER** commands in the program.

```
OPENOUT "DUMMY"
MEMORY HIMEM-1
CLOSEOUT
```

2.5 Reference guide to AMSDOS commands.

Refer to Chapter 8 in your CPC464 User Instruction manual if you are in any doubt about the notation used, or the effect of particular commands when used with cassette.

2.5.1 Summary of BASIC commands

The following AMSTRAD BASIC commands are intercepted to operate on the disc system rather than the datacoder. Apart from the **CAT** command, whose action is substantially different, the effect of these commands is very similar to the cassette versions as described in the CPC464 User Instruction Manual

File reading commands:

**LOAD, RUN, CHAIN, MERGE, CHAIN MERGE,
OPENIN, EOF, INPUT #9, LINE INPUT #9, CLOSEIN**

File writing commands:

**SAVE
OPENOUT, PRINT #9, WRITE #9, LIST #9, CLOSEOUT**

Cataloguing command:

CAT

The disc directory is sorted into alpha-numeric order and displayed in columns along with each individual file size. The amount of free space is also shown.

2.5.2 Summary of AMSDOS external commands.

The following commands are contained in a ROM within the disc drive interface. They are available as soon as the DDI- 1 is installed and powered up.

|A

|A

COMMAND: Set default drive to drive A. Equivalent to **|DRIVE** with parameter A.

|B

|B

COMMAND: Set default drive to drive B. Equivalent to **|DRIVE** with parameter B .

|CPM

|CPM

COMMAND: Switch to alternative disc environment by loading operating system from a system disc. The operating system supplied with the DDI-1 is CP/M 2.2 This will fail if drive A does not contain a system disc with CP/M

|DIR

|DIR [,<string expression>]

```
f$="*.BAS"
```

```
|DIR, @f$
```

COMMAND: Display the disc directory (In CP/M style) and free space. If the <string expression> is omitted, the wild-card * is assumed.

|DISC

|DISC

COMMAND: Equivalent to the two commands **|DISC.IN** and **|DISC.OUT**.

|DISC.IN

```
|DISC.IN
```

COMMAND: Use disc as file input medium.

|DISC.OUT

```
|DISC.OUT
```

COMMAND: Use disc as file output medium.

|DRIVE

```
|DRIVE, <string expression>
```

```
a$="A"
```

```
|DRIVE, @a$
```

COMMAND: Set the default drive. This will fail if AMSDOS is unable to read the disc in the requested drive.

|ERA

|ERA, <string expression>

a\$="FRED.BAK"

|ERA, @a\$

COMMAND: All files which match the filename and are not read-only are erased. Wild cards are permitted.

|REN

|REN, <string expression>, <string expression>

O\$="OLDNAME.BAS"

N\$="NEWNAME.BAS"

|REN, @N\$, @O\$

COMMAND: Give a file a new name. A file with the new name must not already exist.

|TAPE

|TAPE

COMMAND: Equivalent to the two commands **|TAPE.IN** and **|TAPE.OUT**.

|TAPE.IN

|TAPE.IN

COMMAND: Use cassette as file input medium.

|TAPE.OUT

|TAPE.OUT

COMMAND: Use cassette as file output medium.

|USER

|USER, <integer expression>

|USER, 3

COMMAND: For specialist use only. Consult CP/M reference manual.

2.6 Copying Files

We have already described the use of the CP/M program FILECOPYY to make working utility discs and package discs. This section describes how to copy all types of file, from disc to disc, and between disc and tape.

2.6.1 AMSDOS files with headers

It is possible to copy these files in the CP/M environment using **PIP** or **FILECOPYY** (See CP/M primer). Any file created by AMSDOS which has a header record (see 2.3.2) will be copyable as a whole, from disc to disc, disc to tape, tape to disc, but in general the contents of the file will not be understandable by any CP/M programs.

2.6.2 ASCII files

Files created by AMSDOS without headers are generally in ASCII and are both copyable and understandable by CP/M programs. In particular it should be possible to exchange ASCII program files, ASCII data files and ASCII text files freely between AMSDOS and CP/M programs.

2.6.3 Read only files

It is possible, using CP/M, to set any file to be read-only and/or invisible to directory cataloguing operations. Such attributes can only be set or reset in the CP/M environment, but are honoured by AMSDOS. For further details see CP/M primer, **STAT** utility.

2.6.4 File Copying procedures

The tables ahead cover copying files of all sorts between tape and disc. They assume a single drive disc system. It is not possible to copy a protected BASIC program at all, nor to copy a binary file (such as a machine code video game) unless the load addresses are known. Further details of the programs **FILECOPYY**, **CLOAD** and **CSAVE** are given in the CP/M primer.

Copying files from one disc to another in a two drive system is normally easier with the CP/M utility **PIP**, see CP/M primer.

COPY TO:	COPY FROM:		
	<i>AMSTRAD BASIC on tape *</i>	<i>ASCII data on tape *</i>	<i>Binary on tape *</i>
<i>AMSTRAD BASIC on tape *</i>	TAPE LOAD "FILE" <change tapes> SAVE "FILE" DISC		
<i>Binary on tape *</i>			H = HIMEM TAPE MEMORY <s>-1 LOAD "FILE" <change tapes> SAVE "FILE" , B, <s>, <l> [, <r>] DISC MEMORY H <note 2>
<i>ASCII on tape *</i>	TAPE LOAD "FILE" <change tapes> SAVE "FILE" , A DISC	CPM CLOAD "FILE" , TEMP <change tapes> CSAVE TEMP , "FILE" ERA TEMP AMSDOS <note 1>	
<i>AMSTRAD BASIC on disc *</i>	TAPE LOAD "FILE" DISC SAVE "FILE"		
<i>ASCII on disc</i>	TAPE LOAD "FILE" DISC LOAD "FILE" , A	CPM CLOAD "FILE" AMSDOS	
<i>Binary on disc *</i>			H = HIMEM TAPE MEMORY <s>-1 LOAD "FILE" DISC SAVE "FILE" , B, <s>, <l> [, <r>] MEMORY H <note 2>

* File has a header

<note 1> Requires free disc space for temporary file "TEMP"

<note 2> <s> is start address of file, <l> is length, <r> is optional run address.

COPY TO:	COPY FROM:			
	<i>AMSTRAD BASIC on disc *</i>	<i>ASCII data on disc *</i>	<i>AMSOS Binary on disc *</i>	<i>All other disc</i>
<i>AMSTRAD BASIC on tape *</i>	LOAD "FILE" TAPE SAVE "FILE" DISC			
<i>Binary on tape *</i>			H = HIMEM MEMORY <s>-1 LOAD "FILE" TAPE SAVE "FILE" , B, <s>, <l> [, <r>] DISC MEMORY H <note 2>	
<i>ASCII on tape *</i>	LOAD "FILE" TAPE SAVE "FILE", A DISC CPM CSAVE FILE AMSDOS	CPM CSAVE FILE AMSDOS		CPM CSAVE FILE AMSDOS <note 3>
<i>AMSTRAD BASIC on disc *</i>	LOAD "FILE" <change discs> SAVE "FILE" - or - CPM FILECOPY FILE <follow instructions> AMSDOS			
<i>ASCII on disc</i>	LOAD "FILE" LOAD "FILE", A	CPM FILECOPY FILE <follow instructions> AMSDOS		
<i>AMSDOS Binary on disc *</i>			CPM FILECOPY FILE <follow instructions> AMSDOS	
<i>All other disc</i>				CPM FILECOPY FILE <follow instructions> AMSDOS

* File has a header

<note 2> <s> is start address of file, <l> is length, <r> is optional run address.

<note 3 > Destination file cannot be used directly by BASIC. However this option is useful as a low cost transportation or backup medium. The file can be copied back to a disc by **CLOAD "FILE"**.

2.7 Reference guide to AMSDOS Error Messages.

When AMSDOS cannot carry out a command for some reason, it will display an error message. If there is a problem with the hardware, an error message is followed by the question **Retry, Ignore or Cancel?**

R causes the operation be repeated, possibly after the user has taken some preventive action.

I causes the computer to continue as if the problem had not occurred, which will often lead to unexpected and possibly inconvenient results.

C causes the operation to be cancelled, which will often lead to a further error message. For further information see Chapter 5.

Unknown command

The command is not spelt correctly, or the disc interface is either not installed correctly or not powered up.

Bad command

The command cannot be carried out for some reason. Syntax error or hardware failure.

<FILENAME> already exists

User is trying to rename a file with a name already in use.

<FILENAME> not found

File does not exist.

Drive <DRIVE>: directory full

No more room in the disc directory for a new entry.

Drive <DRIVE>: disc full

No more room on the disc for new data.

Drive <DRIVE>: disc changed, closing <FILENAME>

disc has been changed with files still open on it.

<FILENAME> is read only

File cannot be operated on because it is read only. Files can only be set read-only or read-write in the CP/M environment.

Drive <DRIVE>: disc missing

No disc in drive, or disc is not seated and spinning properly. Recommended action is to eject and re-insert the disc and type R

Drive <DRIVE>: disc is write protected

Attempt has been made to write on a disc with the Write Protect hole open. To use the disc, eject, close the Write Protect hole, re-insert the disc and type R

Drive <DRIVE>: read fail

Hardware error reading disc. Recommended action is to eject and re-insert the disc and type R

Drive <DRIVE>: write fail

Hardware error writing disc. Recommended action is to eject and re-insert the disc and type R

Failed to load CP/M

Read error loading CP/M during |CPM command, or you are not using a valid system disc containing CP/M.

Chapter 3 CP/M Primer

Operating with CP/M

Subjects covered in this chapter:

- Booting CP/M
- Configuration sector
- Direct console mode
- Transient programs
- Managing peripherals

CP/M is a disc operating system. It is a special program which gives you access to the full power of your CPC464 disc system. Because CP/M is available for so many different computers it means that there are thousands of applications packages available for you to choose from and a whole wealth of knowledge and experience for you to draw upon.

Full details of CP/M including information on how to write your own programs and the information for the CPC464 implementation are contained in SOFT159 A Guide to CP/M.

3.1 Introduction.

The CP/M operating system provides a user interface for disc hardware - a way for you to communicate with the computer and manipulate files and peripherals.

The fundamental interface that is available is called the Direct Console Mode and is identified by the **A>** or **B>** prompt. Certain built-in commands are available but the majority of the functionality is obtained by loading and running 'Transient Programs'. They are called 'transient' because they are only in the computer (rather than on the disc) whilst you are using them, as opposed to being built-in.

As well as standard CP/M error messages the AMSTRAD disc system also generates a number of specialised hardware error messages. Refer to section 2.7 of the AMSDOS primer.

3.2 CP/M system tracks

The major part of CP/M resides on the outermost two tracks of the disc. The DDI-1 disc interface loads CP/M from these tracks into the CPC464 memory using a two stage process.

Firstly the AMSDOS command |CPM loads the first sector of track 0 into the CPC464. On a system disc this sector has been arranged to be a program which then loads the rest of the system tracks into memory. Various checks are performed to determine that the system tracks contain valid CP/M software and to calculate where in memory to load them.

Part of CP/M is permanently in ROM inside the DDI-1 disc interface, the rest is loaded into RAM. In the standard configuration 39.75k of RAM is left for transient programs, with 2k of that used by the Console Command Processor which is loaded from the system tracks whenever the Direct Console Mode is re-entered.

3.3 Configuration Sector.

During the loading process, when CP/M is first activated, various system parameters are loaded from a special sector within the system tracks. These parameters include the Sign-On (wake-up) message, special keyboard codes required etc. The **SETUP** utility is provided to customise the configuration sector to your requirements.

3.4 Console control codes.

In the CP/M environment a variety of special key operations are used to control program flow. These keystrokes replace the action of the **[ESC]**ape key used in AMSTRAD BASIC, although some applications packages may re-instate the **[ESC]**ape key with some of its former power.

- [CTRL]S** halts the screen output from CP/M. Type any character to resume.
- [CTRL]C** typed at the start of a line returns control to the Direct Console Mode. Many utilities and applications programs will also recognise this as a request to abandon the program.
- [CTRL]P** hardcopy toggle. Turn on/off log of all screen output to printer.
- [CTRL]Z** end of text.

3.5 Logging in a disc

Unless special action is taken by the CP/M program (as **FILECOPY** does for example) then CP/M will not allow you to write to a disc unless it has been 'logged in'. Furthermore the type of disc format (SYSTEM, DATA OR IBM) is only re-determined when a disc is logged in. For drive A this takes place whenever CP/M returns to the Direct Console Mode, or when **[CTRL]C** is typed at the **A>** or **B>** prompt. For Drive B this takes place the first time that the disc in drive B is accessed after drive A has been logged in.

Should you try writing to a disc that has not been logged in, the error message **Bdos Err on <DRIVE> : R/O** will be displayed. Press any key to continue. If the changed disc was also of a different format then A read or write error will occur. Type C to continue.

3.6 Direct Console Commands

There are five direct console commands which can be typed at the **A>** or **B>** prompt. The first of these; **SAVE**, is for specialist use only.

CP/M Error messages tend to be economical and normally consist of repeating the offending command or filename followed by a ?. Repeat the command with the mistake corrected.

3.6.1 Filenames

Many of the commands take filenames as parameters, and where specified the filename may contain wild-cards. (See sections 2.3.1 and 2.3.3 of the AMSDOS primer). All filenames will be forced to upper case.

Direct Console Commands and most utility programs do not require that filenames are contained in double quotes "". The **CLOAD** and **CSAVE** utilities (see section 3.7.2.3) do however require that double quotes be placed around the cassette filename only.

Remember that filenames can have an **A:** or **B:** prefix to force CP/M to use the appropriate drive if you have a two drive system.

3.6.2 Switching default drives

If you have two disc drives then it is possible to switch the default drive selection between drive A and drive B by typing **A:** or **B:** at the **B>** or **A>** prompt. That prompt, of course, tells you the current default drive. Adding the A: and B: prefix to filenames overrides, but does not reset, the default drive setting.

3.6.3 DIR command

DIR lists the DIRectory of the disc. The filenames are not sorted into any particular order, but the position of the filename in the **DIR** display indicates the position of that file's entry in the disc directory. Wild cards are permitted.

DIR	will list all files
DIR B:	will list all files on Drive B
DIR *.BAS	will list all files of type .BAS
DIR B:*.BAS	will list all files of type .BAS on drive B
DIR PIP.COM	will list only the file PIP.COM , if it exists.

3.6.4 ERA command

ERA is used to ERAsE files from the directory. Only the Directory Entry is erased so the data is still in the data section of the disc until the space is re-used by another file, but the information is nevertheless not recoverable. Wild card filenames are permitted. If the filename *.* is specified then ERA will ask for confirmation that all files should be erased. ERA does not list the filenames that are deleted. If any file about to be erased is found to be read-only (see **STAT**) then the command will abort.

ERA PIP.COM will erase the file PIP.COM
ERA B:PIP.COM will erase the file PIP.COM on drive B
ERA *.BAS will erase all .BAS files

3.6.5 REN command

REN allows you to RENAME an existing file. The new filename is specified first followed by = then the existing filename. If the new filename already exists, an error message will be displayed. Wild cards are not permitted in the filenames.

REN HELLO.BAS=HALLO.BAS Change the name of a file from
REN B:HELLO.BAS=HALLO.BAS HALLO.BAS to HELLO.BAS

3.6.6 TYPE command

TYPE asks for the specified file to be TYPED onto the screen. If the file is not an ASCII text file, unpredictable and possibly undesirable side-effects may occur.

TYPE EX1.BAS Display the program file EX1.BAS

3.7 Transient commands.

To perform more sophisticated file management than permitted by the Direct Console Mode you must employ one of the various utility programs provided. These are invoked merely by typing the program name; possibly followed by some parameters. You will probably already have used **FORMAT** and **DISCCOPY**.

The commands fall into a number of categories as indicated below. Full documentation of these programs is extensive and is contained in A Guide to CP/M (SOFT 159).

The **SYSGEN**, **BOOTGEN**, **FILECOPY**, **COPYDISC**, **DISCCOPY**, **CHKDISC**, **DISCCHK**, **FORMAT**, **SETUP**, **CSAVE**, **CLOAD** and **AMSDOS** commands are designed by AMSTRAD and work exclusively on the CPC464. They have no function on any other CP/M system, although other manufacturers may supply similar utilities (often with the same name) customised for their hardware.

3.7.1 Peripheral Management

The **PIP** utility, (Peripheral Interchange Program), allows you to transfer information between the computer and its peripherals. In general the form of the command is **PIP <destination> = <source>** .

The <source> and <destination> can be either a filename, with wild-cards allowed in the source, or a device token. The following device tokens may be used:

As Source	As Destination
CON: keyboard	CON: screen
RDR: serial interface	PUN: serial interface
	LST: printer

examples:

PIP B:=A:* .COM	copy all .COM files from drive A: to drive B:
PIP SAV .BAS=EX1 .BAS	make a copy of EX1 .BAS , calling it SAV .BAS
PIP CON:=EX1 .BAS	send file EX1 .BAS to screen. (Similar effect to TYPE EX1 .BAS)
PIP LST:=EX1 .BAS	send file EX1 .BAS to printer
PIP TYPEIN .TXT=CON:	accept keyboard input and put into a file called TYPEIN .TXT . Note that this operation is terminated by the [CTRL]Z control code, and that in order to get a newline you must type [CTRL]J after [ENTER] every time. [CTRL]J is the ASCII for linefeed.

Note that **PIP** cannot be used to copy files from one disc to another on a single drive system. Use **FILECOPY** instead.

3.7.2 File and disc copying

3.7.2.1 Single file copying

The utility **FILECOPY** allows you to copy files from one disc to another on a single drive system. It copes with the disc changing and gives full instructions on the screen. If a wild-card filename is specified then **FILECOPY** asks you to confirm that you indeed wish to copy each file on an individual basis. The program informs you of each filename as each file is copied.

FILECOPY *.BAS	Copy all the files of type .BAS
FILECOPY EX1 .BAS	Copy the file EX1.BAS

3.7.2.2 Whole disc copiers and checkers

DISCCOPY (for single drive systems) and **COPYDISC** (for two drive systems) allow you to make a backup copy of the entire disc. They give full instructions on the screen. If the Destination disc is not formatted, or not of the same format as the source disc then these utilities will automatically format the disc correctly as they copy. The companion utilities **DISCCHK** and **CHKDISC** allow you to compare two discs and verify that they have exactly the same contents.

3.7.2.3 Cassette files.

Two utilities are available which transfer files between tape and disc. Except for specialist use, it is unlikely that anything other than ASCII, ie plain text, files can usefully be transferred.

CLOAD can take two parameters, the first is the source (Cassette) filename, enclosed in double quotes, and the second the destination (disc) filename. If the destination filename is omitted, the disc file will have the same name as the cassette file. If the source filename is omitted then **CLOAD** reads the first file encountered on the tape. If the first character of the cassette filename is ! then the normal cassette messages will be suppressed. Example command:

```
CLOAD "MYLETTER" MYLETTER.TXT
```

CSAVE can take three parameters. The first is the source (disc) filename and the second the destination (cassette) filename, enclosed in double quotes. If the destination filename is omitted, the cassette file will have the same name as the disc file. If the first character of the cassette filename is ! then the normal cassette messages will be suppressed. If both filenames are specified then a third parameter may be used to specify the tape write speed; 0 for nominal 1000 baud, 1 for nominal 2000 baud. Example commands:

```
CSAVE OUTPUT.TXT "OUTPUT TEXT" 1  
CSAVE DATAFILE
```

3.7.3 System Management

3.7.3.1 STAT

STAT provides more sophisticated directory (and peripheral) management. All the normal rules apply to the filenames, including the use of wild-cards. Facilities are provided to:

Display disc status and free space:

```
STAT  
STAT A:  
STAT B:
```

Display extended directory information about a particular file:

```
STAT *.COM  
STAT EX1.BAS
```

Set a file to Read-only status, so that it cannot be accidentally erased or overwritten:

```
STAT *.COM $R/O  
STAT EX1.BAS $R/O
```

Set a file to Read-write status, reversing the Read-only assignment:

```
STAT *.COM $R/W  
STAT EX1.BAS $R/W
```

Set a file to 'System' status so that it is invisible to directory listings and file copying programs. The file will still be available for all other purposes:

```
STAT *.COM $SYS  
STAT SECRET.BAS $SYS
```

Set a file to 'Directory' status, reversing the 'System' assignment:

```
STAT *.COM $DIR
STAT SECRET.BAS $DIR
```

3.7.3.2 SETUP

This utility allows you to re-define the characteristics of the CPC464 keyboard, disc drive and serial interface, and to invoke various actions when CP/M is first loaded. When finished it updates the configuration sector. The program is menu driven and when a particular screen is correct, or requires no modification, move on to the next by answering Y to the question

Is this correct (Y/N) :

The program can be aborted by **[CTRL]C** keys. When all the changes have been made it will prompt

Do you want to update your system disc (Y/N) :

giving you the opportunity to retain the existing configuration sector (by typing N), and;

Do you want to restart CP/M (Y/N) :

allowing you to load and try the new configuration by typing Y.

To copy a configuration sector from one disc to another, either use **BOOTGEN** (see ahead) or load **SETUP** from the source disc, answer Y to every question, inserting the destination disc at some time before answering the penultimate question.

Characters with an ASCII value less than decimal 32 can be typed into strings by typing a ^ followed by a suitable character from the set @, A-Z, [, \,], _

The following options are those more commonly requiring attention:

**** Initial command buffer** Any characters entered here will appear as if they had been typed into the direct console mode when CP/M is first loaded. This has the effect of auto-running a particular program at that time. Remember to include the equivalent of the [ENTER] key which is represented by the two characters ^M. For example to auto-run STAT, the initial command buffer should be STAT^M.

Sign-on String This is the message displayed at the top of the screen when CP/M is first loaded. Note the use of ^J^M to give a carriage return - line feed effect. The early part of the standard message sets suitable screen and border colours for working in 80 column mode (See CPC464 User Instructions Chapter 9) and should be copied exactly if they are to be preserved.

Keyboard translations This allows new ASCII values to be set into keys, effectively simulating the AMSTRAD BASIC 'KEYDEF' command. The parameters required are the key number and ASCII values to set into them. Refer to the CPC464 User instructions for a map of key numbers.

Keyboard expansions Effectively simulates the BASIC 'KEY' command.

3.7.3.3 AMSDOS

This program relinquishes control from CP/M and returns to the built-in AMSTRAD BASIC, from which the AMSDOS disc commands will be available.

3.7.4 Disc Generation

3.7.4.1 FORMAT

The AMSTRAD DDI-1 disc system supports three disc formats, one of which has two variants.

The usual format is System format, obtained by using the standard **FORMAT** command. The system tracks are read from the disc containing the **FORMAT.COM** program and are automatically written to the destination disc.

The other formats are obtained by adding a single letter as a parameter to the command, separated by a single space:

For Data Format type: **FORMAT D**
For IBM Format type: **FORMAT I**
For Vendor Format type: **FORMAT V**

**** WARNING **** The licence agreement for your CP/M disc, (which is electronically serial number encoded) permits its use on a single computer system only. In particular this means that you are prohibited from giving any other person a disc with YOUR serial-numbered copy of CP/M on it. Because every system disc you make has your CP/M on it you must be careful, therefore, not to sell, exchange or in any other way part with, any system format disc. Instead you must format a disk in Vendor format, which is identical to System format except that the system tracks are blank, and then copy the relevant software onto that disc using FILECOPYY or PIP. Be careful that the software you copy in this way is not itself copyright or subject to a licence agreement.

If you receive software on a disc in Vendor format, in order to use it conveniently you may either copy it to a system disc by using FILECOPYY or PIP or alternatively convert the disc to a System disc by adding your CP/M to it. This is achieved with the BOOTGEN and SYSGEN commands.

**CAREFULLY READ THE END USER LICENCE AGREEMENT IN APPENDIX 2
OF THIS MANUAL**

3.7.4.2 MOVCPM

Sometimes it is required to construct a version of CP/M which does not load into memory in the standard position. This may be because you wish to reserve some memory for other purposes, so CP/M itself must be moved to a lower portion of memory. It is possible to locate CP/M at any position in memory on a 256-byte boundary. The position is specified by a size parameter in the range 64 to 179. This parameter indicates the number of 256-byte areas available for CP/M and transient programs.

The resulting relocated CP/M can either be written to the system disc using **SYSGEN** or saved using a command prompted by the **MOVCPM** program.

The syntax of the command is **MOVCPM <size> ***

eg **MOVCPM 178 *** will make a CP/M 256 bytes lower in memory than the standard version (which is created with the maximum possible size of 179).

3.7.4.3 SYSGEN

SYSGEN writes the result of a **MOVCPM** command onto the system tracks of a system or vendor disc. There are three options:

SYSGEN * will write the CP/M generated by an immediately preceding **MOVCPM** command.

SYSGEN <filename> will read in the specified file, which will probably have been saved after a **MOVCPM** command, and write that to the system tracks. eg. **SYSGEN CPM44.COM**

SYSGEN with no parameters will prompt for a Source and Destination disc and therefore copy the system tracks from one disc to another. This is the option to use if upgrading a Vendor disc to a System disc.

3.7.4.4 BOOTGEN

As discussed in section 3.2 and 3.3 there is more to the system tracks than just CP/M. **BOOTGEN**, which will prompt for source and destination discs, copies the Sector 1, track 0 (the loader) and the configuration sector from one disc onto another. Use **BOOTGEN** as part of the process of upgrading a Vendor disc to a system disc, or when you want to distribute a newly designed configuration sector around a number of discs.

3.7.5 Advanced programming

The following programs are for specialist use and it is recommended that the user consults SOFT 159-A Guide to CP/M or other reference works.

ASM	8080 Assembler.
DDT	8080 Assembly code debugging aid.
DUMP	Hexadecimal file dump utility.
ED	A simple context editor.
SUBMIT	Console command mode Batch processing
XSUB	Transient program batch processing.

CHAPTER 4

Introduction to LOGO

This Section is intended to introduce the subject of LOGO, with examples, and provide a guide to the commands available. It is not intended to be an exhaustive tutorial or reference guide. That will be provided by A GUIDE to LOGO (SOFT 160)

Subjects covered are:

- Concept of LOGO
- Loading and Running Dr LOGO
- Turtle Graphics
- Writing your own procedures
- Editing your own procedures

4.1 What is LOGO

Logo can help you grow as a programmer, whether or not you have ever programmed before.

Logo is a powerful programming language that is rapidly gaining popularity because it is so easy to learn and use.

You use procedures as building blocks to create Logo programs. Dr. Logo itself is a collection of procedures, called primitives, that you use to build your own programs.

During the 1970's, a team of computer scientists and educators under the direction of Seymour Papert, developed Logo with turtle graphics to allow very young children to program and use a computer.

They developed the turtle so that young learners could have, as Papert says, "an object to think with", a tool to help them learn in new ways.

In the form of an arrow head, the turtle can be directed across the screen by the use of simple commands.

4.2 Dr. LOGO

Dr LOGO is a thoughtful implementation of Logo which has been specially customised for the AMSTRAD CPC464, to make it even easier to program. Extensions have been included to make available the powerful sound facilities of the CPC464 and program editing is made easy by the inclusion of the cursor key cluster.

4.3 Getting Started

To operate Dr. Logo, insert a copy of SIDE 2 of your master disc into the disc drive. (The Foundation Course contains instructions on how to copy the master disc.)

Press the **[CTRL]**, **[SHIFT]** and **[ESC]** keys simultaneously to reset the computer. Type in **|CPM [ENTER]** and LOGO will load automatically.

The following Dr. Logo wake-up message will be displayed on your monitor:

Welcome to

```
                Amstrad LOGO V1.1
          Copyright (c) 198314, Digital Research
                Pacific Grove, California
    Dr.Logo is a trademark of Digital Research
```

Please Wait

This greeting will soon disappear and a question mark prompt ? will appear on your screen.

The question mark tells you that Dr.Logo is waiting for you to type something at your keyboard.

4.4 FIRST STEPS

Try typing in (using lower case letters): **fd 60[ENTER]**

and you will see a turtle appear which then moves forward 60 units leaving a line behind it from where it started to where it finished. The screen will clear giving a large graphics area and a smaller text area with the ? prompt near the bottom of the screen.

Dr. Logo will often decide to re-arrange the screen so as to give either a large text area or large graphics area, for your convenience.

Type in **rt 90[ENTER]** and the turtle will move 90 degrees to the right. (From now on we will assume that you press the **[ENTER]** key after every line of command.)

Now type in **fd 60** and another line will be drawn the same length and at right angles to the first line.

Experiment with the simple instructions **fd** , **bk** (short for back), **rt** and **lt** (short for left) to see what happens on the screen.

4.5 DR. LOGO PROCEDURES

A procedure is a list of instructions that tells Dr. Logo how to do a task.

You will probably write your first procedures by adding to those already built into Dr. Logo, these are called 'primitives'.

fd, **bk**, **rt** and **lt** are all built-in primitives which you may use at any time as building blocks to write your own procedures.

Another very useful built-in primitive is **cs** which clears the screen and sends the turtle to its starting position.

4.5.1 WRITING A SIMPLE PROCEDURE

It is easy to visualise that if the movements **fd 60 rt 90** were to be repeated 4 times each, a square with sides of 60 units would be drawn.

The same effect can be achieved by writing a simple formula:

```
repeat 4 [fd 60 rt 90]
```

Clear the screen and then try typing this in to check what happens.

To make this formula into a new procedure called, 'square', type:

```
to square  
repeat 4 [fd 60 rt 90]  
end
```

Dr. Logo will now understand 'square' and each time it encounters the word 'square' it will draw a square on the screen. We could have given this procedure any name, but we chose 'square' to remind us what it does.

Dr. Logo allows us to type in a whole set of commands together so the instructions **square rt 45 square**, will draw two squares, the second at a 45 degrees angle to the first.

4.6 Procedures with parameters.

It is possible. to make a procedure to which we can say 'how much' in the same way that we can say 'how much' to a built-in procedure.

To make a procedure that will draw squares of different sized sides, the definition of 'square' can be altered to:

```
to squareanysize :side  
repeat 4 [fd :side rt 90]  
end
```

This new procedure introduces the idea of a 'variable', which in this case is called : **side**

You will notice that the variable **:side**, is preceded by a colon, this indicates to Dr. Logo that **:side** is a variable rather than a command.

When we use procedure `squareanysize :side` must have a value. Hence an instruction `squareanysize 150` would produce a square with sides of 150 units.

Try adding two procedures together and see what happens. For example, from an instruction.

```
cs squareanysize 100 rt 45 squareanysize 150
```

the turtle will draw two squares of differing size sides and one will be at a 45 degrees angle to the other.

Notice how Dr. Logo reminds you that a line of commands has split across more than one line of screen.

4.7 Using Variables to remember values.

Dr. Logo will also allow us to use variables to remember values as well as for passing values to a procedure. First define a new procedure called triangle:

```
to triangle
repeat 3 [fd :edge rt 120]
end
```

We can test this by typing:

```
make "edge 100
triangle
```

If we want to know the value remembered by edge we can just type edge after the ? prompt and Dr. Logo will print the value.

Finally we can use our variable `:edge` in a new procedure to draw a pattern. Notice how the value of `:edge` is increased by adding to its previous value so that each time we draw the pattern it gets bigger.

```
to pattern
triangle lt 60 triangle rt 60
make "edge :edge+ 4
pattern
end
make "edge 10
cs pattern
```

When you have seen enough, press **[ESC]** to stop the program.

4.8 Editing programs and procedures

Dr. Logo allows us to correct typing mistakes and to alter procedures that we have defined. The editing keys to use are:

The cursor Keys **[↑][↓][←][→]** which move the cursor by one character or line at a time.

The cursor Keys **[↑][↓][←][→]** pressed at the same time as holding down **[CTRL]** will move the cursor up and down a page and to the left and right of a line.

[CLR] deletes the character under the cursor, **[DEL]** deletes the character to the left of the cursor.

[ENTER] tells Dr.Logo that you have finished editing a line of commands or makes a new line if you are editing a procedure.

[ESC] means abandon and **[COPY]** tells Dr.Logo that you have finished editing a procedure.

When typing in commands or new procedures simply edit the text in front of you on the screen. Any characters other than those mentioned above will be inserted into the text at the cursor position.

To edit an existing procedure use the command **ed** . Dr Logo will display the old version of the procedure on the screen for you, and you can use all the commands above to move the cursor around, and change what it says.

Try editing the procedure patterns by typing **ed "patterns**

Experiment with the editing keys. If when you have finished, you press **[ESC]**, Dr. Logo will abandon what is on the screen and give you back the original unedited version.

Type **ed "patterns** again, and after changing the number 4 to 8, press **[COPY]** to exit, then re-run the procedure and see how the screen output has changed. Remember to set the initial value into **:edge**

4.9 Operating hints.

The workspace used by Dr. LOGO is divided into nodes. You can see how many are left by typing **nodes**. Occasionally, when nearly all the nodes are used up, Dr. LOGO will tidy up the workspace and you may see the turtle pause while this happens. You can ask Dr. LOGO to tidy the workspace by typing using the command **recycle**. This will often allow you to continue after Dr. LOGO has complained of not having any more nodes left.

Make sure that there is plenty of disc space left before starting Dr. LOGO in case you decide to save your procedures on disc. You can use the **CAT** command in AMSDOS (see AMSDOS primer).

Glance through the final section below and try some of the examples - you won't understand everything the first time ! As you learn about Dr. LOGO you will be able to use more and more of the commands.

When you have finished with Dr. LOGO type **bye**.

4.10 Summary of Dr. Logo primitives.

This section groups together alphabetical lists of Dr. Logo primitives showing the inputs to use, often with an example.

Primitive names can be entered in either upper or lower-case.

4.10.1 WORD AND LIST PROCESSING:

(Note that prompts ? and > are shown in the following examples)

ascii

Outputs the ASCII value of the first character in the input word.

```
?ascii "G
71
?ascii "g
103
```

bf

(but first) Outputs all but the first element in the input object.

```
?bf "smiles
miles
?bf [1 2 3]
[2 3]
```

bl

(but last) Outputs all but the last element in the input object.

```
?bl "smiles
smile
?bl [1 2 3 4]
[1 2 3]
```

char

Outputs the character whose ASCII value is the input number.

```
?char 83
S
```

count

Outputs the number of elements in the input object.

```
?count "six
3
?count [0 1 2 3]
4
```

emptyp

Outputs TRUE if the input object is an empty word or an empty list; otherwise outputs FALSE.

```
?emptyp "  
TRUE  
?emptyp []  
TRUE  
?emptyp [x]  
FALSE  
?make "x []  
?emptyp :x  
TRUE
```

first

Outputs the first element of the input object.

```
?first "zebra  
z  
?first [1 2 3]  
1
```

fput

(firstput) Outputs a new object formed by making the first input object the first element in the second object.

```
?fput "s "milessmiles  
smilessmiles  
?fput 1 [2 3]  
[1 2 3]
```

item

Outputs the specified element of the input object.

```
?item 4 "dwarf  
r
```

list

Outputs a list made up of the input objects, retains lists' outer brackets (compare with s e).

```
?(list 1 2 3 4)  
[1 2 3 4]  
?List "big [feet]  
[big [feet]]  
?(list)  
[]
```

se

(sentence) Outputs a list made up of the input objects, removes list's outer brackets (compare with **list**).

```
?make "instr_list rl
repeat 4 [fd 50 rt 90]
?run (se "cs : instr_list "ht
```

Note that the underline character between **instr** and **list** is obtained by pressing **[SHIFT]0**

word

Outputs a word made up of the input words.

```
?word "sun "shine
sunshine
```

wordp

Outputs TRUE if the input object is a word or a number.

```
?wordp "hello
TRUE
?wordp []
FALSE
```

4.10.2 ARITHMETIC OPERATIONS

cos

Outputs the cosine of the input number of degrees.

```
?cos 60
0.5
```

int

Outputs the integer portion of the input number.

```
?int 4/3
1
```

random

Outputs a random non-negative integer less than the input number.

```
?random 20
```

sin

Outputs the sine of the input number of degrees.

```
?sin 30
0.5
```

+

Outputs the sum of the input numbers.

?+ 2 2

4

?2+2

4

-

Outputs the difference of the two input numbers.

?- 10 5

5

?10-5

5

*

Outputs the product of input numbers.

?* 4 6

24

?4*6

24

/

Outputs the decimal quotient of the two input numbers.

?/ 25 5

5

? 25/5

5

4.10.3 LOGICAL OPERATIONS:

and

Outputs TRUE if the result of all input expressions are true.

?and (3<4) (7>4)

TRUE

not

Outputs TRUE if the input expression is FALSE; FALSE if the input expression is TRUE.

```
?not (3=4)
```

```
TRUE
```

```
?not (3=3)
```

```
FALSE
```

or

Outputs FALSE if all input expressions are FALSE.

```
?or "TRUE "FALSE
```

```
TRUE
```

```
?or (3=4) (1=1)
```

```
TRUE
```

=

Outputs TRUE if the two input objects are equal; otherwise outputs FALSE.

```
?= "LOGO "LOGO
```

```
TRUE
```

```
?1=2
```

```
FALSE
```

>

Outputs TRUE if the first input word is greater than the second; otherwise outputs FALSE.

```
?> 19 20
```

```
FALSE
```

```
?20>19
```

```
TRUE
```

<

Outputs TRUE if the first word is less than the second; otherwise outputs FALSE.

```
?< 27 13
```

```
FALSE
```

```
?13<27
```

```
TRUE
```

4.10.4 VARIABLES:

local

Makes the input-named variable(s) accessible only to the current procedure and the procedures it calls.

```
>(local "x "y "z)
```

make

Makes the input-named variable the value of the input object.

```
?make "side 50  
?:side  
50
```

4.10.5 PROCEDURES:

end

Indicates the end of a procedure definition; must stand alone at the beginning of the last line.

```
?to square  
>repeat 4[fd 50 rt 90]  
>end  
square defined  
?square
```

po

(print out) Displays the definition(s) of the specified procedure(s) or variable(s).

```
?po "square  
to square  
repeat 4[fd 50 rt 90]  
end  
?po "X  
x is 3
```

pots

(print out titles) Displays the names and titles of all procedures in the workspace.

```
?pots
```

to

Indicates the beginning of a procedure definition.

```
?to square
>repeat 4[fd 50 rt 90]
>end
square defined
```

4.10.6 EDITING:

ed

(edit) Loads the specified procedure(s) and/or variable(s) into the screen editor's buffer.

```
?ed "square
```

4.10.7 TEXT SCREEN:

ct

(clear text) Erases all text in the window that currently contains the cursor then positions the cursor in the upper-left corner of the window.

```
?ct
```

pr

(print) Displays the input object(s) on the text screen, removes list's outer brackets, follows last input with a carriage return (compare with **show** and **type**).

```
?pr [a b c]
a b c
```

setsplit

Sets the number of lines in the split screen.

```
?ss 10
```

show

Displays the input object on the text screen, retains list's outer brackets, follows input with a carriage return. (compare with **pr** and **type**).

```
?show [a b c]
[a b c]
```

ts

(text screen) Selects a full text screen.

?ts

type

Displays the input object(s) on the text screen, removes list's outer brackets, does not follow last input with a carriage return (compare with **pr** and **show**).

?type [a b c]

a b c

4.10.8 GRAPHIC SCREEN:

Note that the screen is in Mode 1, giving four colours, and that the same co-ordinate system is used as in AMSTRAD BASIC. In other words all screen positions will be rounded to the nearest even-numbered screen dot. Red, green, and blue colours can have amounts of 0,1,or 2.

clean

Erases the graphic screen without affecting the turtle.

?fd 50

?clean

cs

(clear screen) Erases the graphic screen and puts the turtle at [0,0] heading 0 (north) with the pen down.

?rt 90 fd 50

?cs

dot

Plots a dot at the position specified by the input coordinate list in the current pen colour.

?dot [50 10]

fence

Establishes a boundary that limits the turtle to the visible graphics screen. **window** removes the boundary.

?fence

?fd 300

Turtle out of bounds

fs

(full screen) Selects a full graphic screen.

?fs

pal

(palette) Outputs numbers representing the amount of red, green, and blue colour assigned to a pen.

```
?pal 2  
[0 2 2]
```

setpal

(set palette) Sets the pen colour palette. Assign an amount of red, green, and blue to a pen.

```
?setpal 3 [1 1 2]  
?pal 3  
[1 1 2]
```

sf

(screen facts) Outputs information about the graphic screen. The <format> is [<bgcolor> <screen-state> <split-size> <window-state> <scrunch>] where <bgcolor> is the background pen number, always 0. <screen-state> indicates **ss** (Split screen), **fs** (Full screen) or **ts** (Text screen). <split-size> is the number of text lines displayed on the split screen's text window and <window-state> indicates **window**, **wrap** or **fence** mode. <scrunch> is permanently set to 1

```
?sf  
[0 SS 5 FENCE 1]
```

ss

(split screen) Displays a window of text on the graphic screen.

9ss

window

Allows the turtle to plot outside the visible graphic screen after a wrap or fence expression.

```
?fence fd 300  
Turtle out of bounds  
?window  
?fd 300
```

wrap

Makes the turtle reappear on the opposite side of the graphic screen when it exceeds the boundary.

```
?cs wrap
?rt 5 fd 1000
?cs window
?rt 5 fd 1000
```

4.10.9 TURTLE GRAPHICS:

bk

(back) Moves the turtle the input number of steps in the opposite direction of its heading.

```
?cs fd 150
?bk 50
```

fd

(forward) Moves the turtle the input number of steps in the direction of its current heading.

```
?fd 80
```

ht

(hide turtle) Makes the turtle invisible; speeds and clarifies drawing.

```
?ht
?cs fd 50
?st
```

lt

(left) Rotates the turtle the input number of degrees to the left.

```
?lt 90
```

pd

(pen down) Puts the turtle's pen down; the turtle resumes drawing.

```
?fd 20 pu fd 20
?pd
?fd 20
```

pe

(pen erase) Changes the turtle's pen colour to 0, the background colour; the turtle erases drawn lines.

```
?fd 50
?pe
?bk 25
?fd 50
?pd fd 25
```

pu

(pen up) Picks the turtle's pen up; the turtle stops drawing.

```
?fd 30
?pu
?fd 30
?pd fd 30
```

px

(pen reverse) Makes the turtle change the colour of any previously coloured pixel in its trail to the reverse or logical colour compliment.

```
?fd 20 pu fd 20
?pd setpc 3 fd 20
?px
?bk 80
?fd 80
?pd bk 100
```

rt

Rotates the turtle the input number of degrees to the right.

```
?rt 90
```

seth

(set heading) Turns the turtle to the absolute heading specified by the input number of degrees; positive numbers turn the turtle clockwise; negative numbers turn the turtle counter-clockwise.

```
?seth 90
```

setpc

(set pen colour) Sets the turtle's pen to that specified by the input number. 0 is the background colour.

```
? setpc 1
```

setpos

(set position) Moves the turtle to the position specified in the input coordinate list.

```
?setpos [30 20]
```

st

(show turtle) Makes the turtle visible if hidden.

```
?ht
```

```
?fd 50
```

```
?st
```

tf

(turtle facts) Outputs information about the turtle. The format is: [**<xcor>** **<ycor>** **<heading>** **<penstate>** **<pencolour#n>** **<shownp>**] where **<xcor>** is the turtle's x coordinate. **<ycor>** is the turtle's y coordinate. **<heading>** indicates the compass direction the turtle is facing. **<shownp>** is TRUE if the turtle is visible. **<penstate>** indicates **PD** (pen down), **PE** (pen erase), **PX** (pen reverse), or **PU** (pen up). **<pencolour#n>** identifies the pen's number.

```
?setpos[15 30]
```

```
?rt 60
```

```
?setpc 3
```

```
?pe
```

```
?ht
```

```
?tf
```

```
[15 30 60 PE 3 FALSE]
```

4.10.10 WORKSPACE MANAGEMENT:

er

(erase) Erases the specified procedure(s) from the workspace.

```
?er "square
```

ern

(erase name) Erases the specified variable(s) from the workspace.

```
?make "side[100]
```

```
?make "angle[45]
```

```
?:side :angle
```

```
[100]
```

```
[45]
```

```
?ern[side angle]
```

```
?:side
```

```
side has no value
```

nodes

Outputs the number of free nodes in the workspace.

```
?nodes
```

recycle

Frees as many nodes as possible and reorganizes the workspace.

?recycle

?nodes

4.9.11 PROPERTY LISTS:

glist

(get list) Outputs a list of all the objects in the workspace that have the input property name in their property lists.

?glist ".DEF

gprop

(get property) Outputs the property value of the input property name of the input-named object.

?make "height "72"

**?gprop "height ".APV
72"**

plist

(property list) Outputs the property list of the input-named object.

**?plist "height
[.APV 72"]**

pprop

(put property) Puts the input property pair into the input-named object's property list.

?pprop "master ".APV "Scott

?:master

Scott

remprop

(remove property) Removes the specified property from the input-named object's property list.

?remprop "master ".APV

4.10.12 DISC FILES:

dir

(directory) Outputs a list of Dr. Logo file names on the default or specified disc; accepts wild-cards.

```
?dir  
[STARTUP STARS PATTERNS]  
?dir "b:  
[AVERAGE TOOLS ADDRESSES]  
?dir "??AR????  
[STARTUP STARS]
```

load

Reads the input-named file from the disc into the workspace.

```
?Load "myfile  
?Load "b:shapes
```

save

Writes the contents of the workspace to the input-named disc file.

```
?save "shapes
```

4.10.13 KEYBOARD, JOYSTICK:

buttonp

(button pressed) Outputs TRUE if the button on the specified joystick is down; numbers 0 or 1 identify the two possible paddles.

```
?to fire  
>Label "loop  
>if (buttonp 0) [pr[fire 0!]]  
>if (buttonp 1) [pr[fire 1!]]  
>go "Loop  
>end
```

The position of the joystick is tested by paddle.

keyp

Outputs TRUE if a character has been typed at the keyboard and is waiting to be read.

```
?to inkey  
>if keyp [op rc][op "  
>end
```

paddle

Returns the state of either joystick 0 or 1. The positions of the joystick are indicated as follows:

Value returned	Meaning
255	Nothing pressed
0	Up
1	Up and right
2	Right
3	Down and right
4	Down
5	Down and left
6	Left
7	Up and left

?paddle 0

255

The fire buttons are tested by **buttonp**.

rc

(read character) Outputs the first character typed at the keyboard.

```
?make "key rc
```

(then press **X** key)

```
?:key
```

```
x
```

rl

(read list) Outputs a list that contains a line typed at the keyboard; input must be followed by a carriage return.

```
?make "instr_list rl  
repeat 4[fd 50 rt 90]  
?:instr_list  
[repeat 4[fd 50 rt 90]]
```

rq

(read quote) Outputs a word that contains a line typed at the keyboard; input must be followed by a carriage return.

```
?make "command rq  
repeat 3[fd 60 rt 120]  
?:command  
repeat 3[fd 60 rt 120]
```

4.10.14 SOUND:

The sound commands are unique to the AMSTRAD implementation of Dr. LOGO and are similar to their AMSTRAD BASIC counterparts.

Refer to Chapter 6 of the CPC464 User Instructions for further information.

sound puts a sound into the sound queue. The format is : [<channel-status> <tone-period> <duration> <volume> <volume-envelope> <tone-envelope> <noise-period>]
The parameters after duration are optional.

```
?sound [1 20 50]
```

env

Set up a volume envelope. The format is: [<envelope-number> envelope-section(s)>]

```
?env[1 100 2 20]
```

```
?sound[1 200 300 5 1]
```

ent

Set up a tone envelope. The format is: [<envelope-number> <envelope-section(s)>]

```
?ent [1 100 2 20]
```

```
?sound [1 200 300 5 1 1]
```

Release

Releases sound channels that have been set to a hold state in a sound command. The channels to release are indicated as follows:

<u>Input value</u>	<u>Channels released.</u>
0	None
1	A
2	B
3	B and A
4	C
5	C and A
6	C and B
7	C and B and A

```
?release 1
```

4.10.15 FLOW OF CONTROL:

bye

Exits the current session of Dr. Logo.

```
?bye
```

co

Ends a pause caused by pause,a **[CTRL]Z** or ERRACT

```
?co
```


go

Executes the line within the current procedure following a label expression with the same input word.

```
>go "Loop
```

if

Executes one of two instruction lists depending on the value of the input expression; input instructions must be literal lists enclosed in brackets.

```
>if (a>b) [pr [a is bigger]]  
>[pr [b is bigger]]
```

label

Identifies the line to be executed after a go expression with the input word.

```
>label "Loop
```

op

(output) Makes the input object the output of the procedure and exits the procedure at that point.

repeat

Executes the input instruction list the input number of times.

```
?repeat 4[fd 50 rt 90]
```

run

Executes the input instruction list.

```
?make "instr_list[fd 40 rt 90]  
?run :instr_list
```

stop

Stops the execution of the current procedure and returns to TOPLEVEL (the ? prompt) or the calling procedure.

```
?stop
```

wait

Stops procedure execution for the amount of time specified by the input number. The amount of time = input number * 0.22 seconds.

```
?wait 20
```

4.10.16 EXCEPTION HANDLING:

catch

Traps errors and special conditions that occur during the execution of the input instruction list.

```
>catch "error+[[] []]  
>pr [I am here]  
I am here
```

error

Outputs a list whose elements describe the most recent error.

```
>catch "error[do.until.error]  
>show error
```

pause

Suspends the execution of the current procedure to allow interaction with the interpreter or editor.

```
>if :size>5 [pause]
```

throw

Executes the line identified by the input name in a previous catch expression.

```
?throw "TOPLEVEL
```

4.10.17 SYSTEM PRIMITIVES

- .contents** Displays the contents of Dr. LOGO symbol space
- .deposit** Puts second input number into the absolute memory location specified by the first input number
- .examine** Displays the contents of the absolute memory location specified.

4.10.18 SYSTEM VARIABLES

ERRACT

When TRUE causes a pause when an error occurs, then returns to TOPLEVEL.

FALSE

System value

REDEFP

When TRUE allows redefinition of primitives.

TOPLEVEL

throw "TOPLEVEL will exit all pending procedures.

TRUE

System value

4.10.19 SYSTEM PROPERTIES

.APV

Associated property value; the value of a global variable.

.DEF

Definition of a procedure.

.PRM

Identifies a primitive.

CHAPTER 5

Technical information for the user – Firmware

This chapter assumes prior knowledge of the CPC464 firmware.

Some knowledge of the fundamentals of CP/M is also assumed. This chapter does not however attempt to discuss the facilities available in the CP/M environment. Complete information concerning CP/M, the CPC464 CP/M environment and the technical specification of the BIOS is contained in SOFT159 A Guide to CP/M. The Complete Firmware Specification of the Amstrad DDI-1 is contained in SOFT 158A, available as an Appendix to the Concise Firmware Specification SOFT158.

5.0 Introduction

AMSDOS is a disc operating system for the AMSTRAD CPC464 fitted with the DDI-1 floppy disc interface. AMSDOS enables BASIC programs to access disc files in a similar manner to cassette files, indeed existing programs which currently use the cassette should be able to use disc files with little, or no, modification. The main source of incompatibility will be file names in that, for AMSDOS, file names must conform to CP/M standards whereas cassette file names are far less restricted.

AMSDOS has been designed to complement CP/M, not to compete with it. They share the same file structure and can read and write each other's files. AMSDOS resides in the same ROM as the CP/M BIOS.

AMSDOS switches the cassette input and output streams (#9) to and from disc. Thus all the facilities available on cassette become available on disc. In addition displaying the disc directory, erasing disc files, renaming disc files, and selecting the default drive and user are also facilitated.

These facilities are implemented either by intercepting the cassette firmware calls or by external commands.

5.1 Headers

Cassette files are subdivided into 2k blocks, each of which is preceded by a header. CP/M files do not have headers. AMSDOS files may, or may not, have a header depending on the contents of the file. This will not cause problems for programs written in BASIC but is an important difference between cassette and disc files. This could perhaps be exploited for a protection scheme.

Unprotected ASCII files do not have headers. All other AMSDOS files have a single header in the first 128 bytes of the file, the header record. These headers are detected by checksumming the first 67 bytes of the record. If the checksum is as expected then a header is present, if not, there is no header. Thus it is unlikely, but possible, that a file without a header could be mistaken for one with a header.

5.2 Changing Discs

Under AMSDOS a disc may be changed, or removed, whenever the drive is not being accessed and neither the input nor output files are open on that drive. Unlike CP/M there is no need to 'log in' a disc.

Changing a disc while it is still being written to may corrupt the data on the disc. If a disc is changed while there are still files open on it then, as soon as AMSDOS detects this, all the open files on the drive will be abandoned and an error message produced. Any data yet to be written will be lost and the latest directory entry will not be written to disc. However, AMSDOS can only detect this change when it reads the directory, which it does every 16k of the file and whenever a file is opened or closed. Thus, potentially, 16k of data could be corrupted by changing a disc while there are still files open on it.

5.3 Store requirements

When initialised, AMSDOS reserves #500 bytes of memory from the memory pool. No change in this value is envisaged.

When loading a machine code program from disc into store using AMSDOS's CAS IN DIRECT routine it is important that AMSDOS's variables are not overwritten. This presents a problem since in general it is not possible to discover where these variables are! This is because variables for external ROMs are allocated dynamically. Note that this problem does not arise when loading from the cassette since the cassette manager's variables are in the firmware variable area.

AMSDOS reserves store from the top of the memory pool so the simplest solution is to always load machine code programs into the bottom of store. The program can then relocate itself to a higher address if required.

Alternatively the machine code program could be loaded in two stages: first load and run a small loader in the bottom of store. The action of MC BOOT PROGRAM will have shut down all RSXs and extension ROMS. The loader program should now initialise AMSDOS using KL INIT BACK thus forcing the AMSDOS variables to be wherever you so wish. The loader can now load the machine code program using the AMSDOS routines CAS OPEN IN, CAS IN DIRECT and CAS IN CLOSE together with MC START PROGRAM.

In order to initialise AMSDOS using KL INIT BACK, AMSDOS's ROM number is required. To determine AMSDOS's ROM number look at any of the intercepted cassette jumpblock entries with the DISC routines selected. Each entry is a far call, the address part of which points at a three byte far address, the third byte of the far address is the ROM number. This must obviously be done before AMSDOS is shut down.

5.4 Error Messages

AMSDOS uses the CP/M BIOS in order to access the disc. Thus BIOS messages will be displayed in the event of a disc hardware error.

In the following <DRIVE> means A or B. <FILENAME> means an AMSDOS filename.

5.4.1 AMSDOS messages.

Bad command

The command has failed in some way. There is a syntax error in a command or filename, or a BIOS error has been exited with a C cancel option.

<FILENAME> already exists

The user is trying to rename a file with a name that is already in use.

<FILENAME> not found

The user is trying to open for input, erase or rename a file that does not exist.

Drive <DRIVE>: directory full

There are no more free directory entries (there are 64 directory entries per disc).

Drive <DRIVE>: disc full

There are no more free disc blocks.

Drive <DRIVE>: disc changed, closing <FILENAME>

The user has changed the disc while files were still open on it.

<FILENAME> is read only

The user is trying to erase or rename a file which is marked R/O. May also be caused by closing a file when the existing version of the file is R/O.

5.4.2 BIOS messages.

BIOS messages are followed by the question **Retry, Ignore or Cancel?**. The system then discards any outstanding characters, turns on the cursor and waits for the user to type **R, I** or **C**. Anything else typed in will cause a bleep.

Typing **R** for retry causes the BIOS to repeat the operation.

Typing **I** for ignore causes the BIOS to continue as if the problem had not occurred.

Typing **C** for cancel causes the BIOS to abandon the operation. This will often result in a BDOS error message.

After the user has typed **R**, **I** or **C** the cursor is turned off.

The AMSTRAD BIOS messages are as follows:

Drive <DRIVE>: disc missing

This message is produced when the BIOS attempts to access a drive that does not, or does not appear to, have a disc inserted.

Failed to load boot sector

This message is produced during a cold boot (invoked by 1 C PM) when the boot sector is not read correctly or if all the bytes in the boot sector have the same value.

Failed to load CP/M

This message is produced during a warm boot when a sector of the CCP or BDOS is not read correctly or if all the bytes in the first CCP sector have the same value.

Drive <DRIVE>: disc is write protected

This message is produced when the BIOS attempts to write to a disc that is write-protected. If the user wishes to write on this disc then the user should remove the disc, write enable it, re-insert it into the drive and then type R for retry.

Drive <DRIVE>: read fail

This message is produced when a hardware error has been reported whilst reading from the disc. It may also be caused by trying to read from a disc with the wrong format, for example: trying to boot from a DATA ONLY format disc.

Drive <DRIVE>: write fail

This message is produced when a hardware error has been reported whilst writing to the disc.

In the event of a read or write fail the user is recommended to remove and re-insert the disc then type R This may help in case the disc was badly positioned or may shift any fluff or what-not adhering to the head. The importance of back-ups cannot be overstressed.

5.5 Disc Organisation

The BIOS supports three different disc formats: SYSTEM format, DATA ONLY format and IBM format. Under AMSDOS the format of a disc is automatically detected each time a disc with no open files is accessed. To permit this automatic detection each format has unique sector numbers.

3 inch discs are double sided, but only one side may be accessed at a time depending on which way round the user inserts the disc. There may be different formats on the two sides.

COMMON TO ALL FORMATS

Single sided (the two sides of a 3 inch disc are treated separately).

512 byte physical sector size.
40 tracks numbered 0 to 39.
1024 byte CP/M block size.
64 directory entries.

SYSTEM FORMAT

9 sectors per track numbered #41 to #49.
2 reserved tracks.

The system format is the main format supported, since CP/M can only be loaded (cold and warm boot) from a system format disc. The reserved tracks are used as follows:

Track 0 sector #41: boot sector.
Track 0 sector #42: configuration sector.
Track 0 sectors #43.. #47 unused.
Track 0 sectors #48.. #49 and track 1 sectors #41.. #49: CCP and BDOS.

Note: 'VENDOR' format is a special version of system format which does not contain any software on the two reserved tracks. It is intended for use in software distribution.

DATA ONLY FORMAT

9 sectors per track numbered #C1.. # C9.
0 reserved tracks.

This format is intended for future enhancement, it is not recommended for use with CP/M since it is not possible to 'warm boot' from it. However, if only AMSDOS is to be used then there is a little more disc space available.

IBM FORMAT

8 sectors per track numbered 1..8.
1 reserved track.

This format is logically the same as the single-sided format used by CP/M on the IBM PC. It is intended for specialist use and is not otherwise recommended.

5.6 Jump Block Interception - by AMSDOS

When AMSDOS is initialised it copies the relevant cassette jumpblock entries into its own data area. When DISC is selected the cassette jumpblock entries are overwritten by AMSDOS entries, when TAPE is selected the original cassette entries are restored.

Initially the disc routines are selected.

5.7 Jump Block Re-Interception - by the User

In order to intercept the jumpblock entries the following procedure should be observed: copy the three bytes from the required jumpblock entry into your own data area - do not make any assumption as to what these three bytes are. Replace the jumpblock entry with your own JMP, RST or whatever. When you receive control restore the jumpblock entry, and CALL it. When you receive control once again save the jumpblock entry and replace it with your own. This procedure will work no matter what the jumpblock entry contains.

Note: when intercepting AMSDOS routines the above procedure must be followed. Merely executing a copy of the jumpblock entry will not work; it must be restored to its original place in the jumpblock

5.8 Return Parameters

So far as it is possible the AMSDOS routines all have the same interface as their cassette counterparts, although in some cases the interpretation of the return parameters is different. Errors which are detected by both the cassette and disc routines are returned carry false, zero false. Errors which are only detected by the disc routines are returned carry false, zero true. This latter case corresponds to the cassette routine BREAK condition. In both cases register A contains an error number.

When a routine fails (carry false) it returns a six bit error number in the A register. Bit 7 is set if the error has already been reported to the user. The error numbers are as follows:

- #0E the file is not open as expected.
- #0F hard end of file.

- #1A soft end of file.

- #20 bad command, usually caused by an incorrect filename.
- #21 file already exists.
- #22 file doesn't exist.
- #23 directory is full
- #24 disc is full.
- #25 disc has been changed with files open on it.
- #26 file is read-only.

Errors detected by the floppy disc controller are reported as a bit significant value between #40..#7F, i.e. bit 6 is always set. The other bits are returned as follows:

- bit 5 data error - CRC error on data or ID field.
- bit 4 overrun error.
- bit 3 drive not ready - there is no disc in the drive.
- bit 2 no data - can't find the sector.
- bit 1 not writable - disc is write protected.
- bit 0 address mark missing.

5.9 Intercepted Firmware Calls

The intercepted firmware calls are:

Reading Files

125	#BC77	CAS IN OPEN	Open a file for input
126	#BC7A	CAS IN CLOSE	Close the input file properly
127	#BC7D	CAS IN ABANDON	Close the input file immediately.
128	#BC80	CAS IN CHAR	Read a character from the input file.
129	#BC83	CAS IN DIRECT	Read the input file into store.
130	#BC86	CAS RETURN	Put the last character read back.
	#BC89	CAS TEST EOF	Have we reached the end of the input file yet?
131			

Writing Files

132	#BC8C	CAS OUT OPEN	Open a file for output.
133	#BC8F	CAS OUT CLOSE	Close the output file properly.
134	#BC92	CAS OUT ABANDON	Close the output file immediately
135	#BC95	CAS OUT CHAR	Write a character to the output file.
	#BC98	CAS OUT DIRECT	Write the output file directly from disc.
136			

Cataloguing

137	#BC9B	CAS CATALOG	Generate a catalogue from disc
-----	--------------	-------------	--------------------------------

APPENDIX 1

GLOSSARY OF TERMS

Ambiguous File Name:

A file name containing one or more wildcard characters. Ambiguous filenames refer to more than one specific file name and are used to refer to one or more files at a time.

AMSDOS:

AMStrad Disc Operating System. The program that allows Locomotive BASIC to access disc files.

Backup:

A duplicate copy of information used as a safeguard in case the original is lost or accidentally damaged. Making a backup refers to the process of duplicating a disc or disc file.

BDOS:

Basic Disc Operating System. This is the part of the CP/M operating system which provides an interface for a user program to use the functions of CP/M.

BIOS:

Basic Input/Output System. This is the hardware dependent part of CP/M that is written specifically for one type of computer. All the input and output to the screen, keyboard, disc and so on is performed through the BIOS.

Boot:

The process of loading an operating system into memory. When CP/M is started from BASIC a small boot program is loaded automatically from the disc, which then loads the rest of the operating system into memory.

Buffer:

An area of memory reserved for temporarily storing, or buffering, information during an information transfer.

Built-in commands:

Commands that are part of an operating system. They are always quicker than transient commands because they are not accessed from disc.

CCP:

Console Command Processor. This is a module of CP/M that interprets and executes user input from the keyboard. Usually commands are input which the CCP loads and executes.

Cold start:

The process of booting and initialising an operating system. A cold start of CP/M is performed when the **|CPM** command is used.

Console mode:

CP/M direct mode; the **A>** appears on the screen, and the system awaits input of a CP/M or utility command.

Corruption:

The destruction or alteration of the contents of a disc file or memory, in an undesirable and potentially unrecoverable manner.

CP/M:

Control Program for Microcomputers. A disc based operating system by Digital Research that provides a standard systems interface to software written for a wide range of microprocessor based computer systems.

Default:

The value assumed in the absence of any user input. For example, when CP/M is started drive A: is assumed to be the default drive.

Directory:

A section of a disc containing entries for each file on the disc. A list of the contents of a disc.

Disc (or disk):

A flat, thin circular piece of plastic, coated on one or both sides with a magnetic oxide surface and used as a medium for storing data. The disc is housed in a protective envelope, with access for the reading head provided by a window. On a 3" disc the window is covered by a metallic shutter, which automatically slides across when the disc is out of the disc drive.

Disc drive:

The mechanics used to spin and access the data on the surface of a disc.

Disc Interface:

The electronic hardware necessary to allow a disc drive to communicate with both the software and internal operation of the attached computer.

Double sided:

A disc that can store information on both sides. A double sided disc drive can access both sides of a disc without the need to change the disc over.

Dr.Logo:

Digital Research's version of Logo, a programming language with a graphics turtle.

Edit:

To correct or make changes to data, a program or text.

Expression:

In Dr. Logo an expression consists of a procedure name followed by any necessary inputs to the procedure.

File:

A collection of data, generally stored on cassette or disc.

Filename:

The name of a file. In Dr. Logo a file name can consist of up to 8 alphabetic or numeric characters. In CP/M an additional three character file type, preceded by a dot . is allowed.

Hexfile:

An ASCII representation of a command or machine code file.

Integer:

A whole number with no decimal point.

Interface:

An object that allows two independent systems, such as a CPC464 and a disc drive, to communicate with each other.

Logical device:

The representation of a device that may be different to its physical form. For example the CP/M logical device LIST may be assigned to the Centronics port or perhaps the VDU.

Logo:

The name of a programming language derived from the Greek word logos, which means word. Logo is designed to teach the fundamentals of computer programming.

Node:

A unit of storage in the Logo workspace. Typically one node consumes 4 bytes of memory space.

Page zero:

This refers to the region of memory in a CP/M environment between 0000Hex and 0100Hex that is used to hold vital system parameters.

Physical device:

An actual device, consisting of hardware, that exists. Physical devices may be represented by logical devices.

Primitives:

Procedures, operations or commands that make up Dr. Logo; the built-in procedures.

Procedure:

A series of expressions or program statements that dictate how to perform a particular task.

Prompt:

A short message or character sequence reminding the user that some type of input is expected. For example, the CP/M prompt is the > and the Dr. Logo prompt is the ? character.

Random access:

The ability to read and write information in memory or on a disc in any desired order.

Read only R/O:

An attribute assigned to a disc, a disc file or a disc drive that prevents writing or changing of data.

Read write R/W:

An attribute assigned to a disc, a disc file or a disc drive that allows both reading and writing of data.

Record:

A group of bytes in a file. CP/M uses 128 byte records.

Sector:

A block of data on a disc. The AMSTRAD disc system uses a sector size of 512 bytes.

Single sided:

Refers to a disc which has only one side available for data storage.

System tracks:

Tracks reserved on the disc for the CP/M system.

TPA:

Transient Program Area. An area in memory commencing at 0100Hex where CP/M user programs run and store data.

Track:

Tracks are concentric rings on a disc. Each track holds a fixed number of sectors. The tracks and sectors are written to a specific area of a disc during formatting.

Transient program:

A CP/M utility program such as **FILECOPY** which can be loaded into the TPA and run by typing its name at the keyboard.

Turnkey:

A word used to describe a program which executes automatically when the system is booted. The Dr. Logo disc is an example of a turnkey program.

Turtle:

A graphic symbol, in the shape of an arrow head, that functions as a graphic cursor on the Dr. Logo graphic screen.

Turtle graphics:

The graphics image left on the screen by the movement of a turtle. As the turtle moves it leaves a trace of its path on the screen.

Turtle step:

The smallest distance a turtle can move. Normally one pixel.

Utility program:

A program on disc that enables the user to perform certain operations. See transient program.

Warm start:

This is performed when [CTRL]C is pressed during CP/M. A warm start reinitialises the disc subsystem and returns control to CP/M ready for commands to be entered.

Wildcard character:

Either of the characters * or ?. Dr. Logo only supports the ? character. The * wildcard simply means any number of ?s. When referencing files wildcard characters are used to make up an ambiguous file name. Any ? s in the file name refer to any numeric or alphabetic character.

Write Protection:

A safeguard used to prevent re-writing of a disc or disc file. A write protected disc or file is Read Only.

APPENDIX 2

DIGITAL RESEARCH & AMSTRAD END USER PROGRAM LICENCE AGREEMENT

*NOTICE TO USER - PLEASE READ THIS NOTICE CAREFULLY.
DO NOT OPEN THE DISKETTE PACKAGE UNTIL YOU HAVE
READ THIS LICENCE AGREEMENT.*

*OPENING THE DISKETTE PACKAGE INDICATES YOUR
AGREEMENT TO BE BOUND BY THESE TERMS AND
CONDITIONS.*

1. DEFINITIONS

- In this Licence Agreement, the terms:

1. DRI means DIGITAL RESEARCH (CALIFORNIA) INC., P.O. Box 579, Pacific Grove, California 93950, owner of the copyright in, or authorised licensor of, the program.
2. Machine means the single microcomputer on which you use the program. Multiple CPU systems require additional licences.
3. Program means the set of programs, documentation and related materials in this package, together with all ancillary updates and enhancements supplied by DRI to you regardless of the form in which you may subsequently use it, and regardless of any modification which you make to it.
4. AMSTRAD means AMSTRAD CONSUMER ELECTRONICS PLC., Brentwood House, 169 Kings Road, Brentwood, Essex CM14 4EF.

You assume responsibility for the selection of the program to achieve your intended results, and for the installation, use and results obtained from the program.

2. LICENCE

You may:

1. Use the program on a single machine.
2. Copy the program into any machine readable or printed form for backup or modification purposes in support of your use of the program on a single machine. You may make up to three (3) copies of the program for such purposes. (Certain programs, however, may include mechanisms to limit or inhibit copying. They are marked 'copy protected'). Copying of documentation and other printed materials is prohibited. Disassembly of code is prohibited.
3. Modify the program and/or merge it into another program for your use on the single machine. (Any portion of this program merged into another program will continue to be subject to the terms and conditions of this Agreement); and,

4. Transfer the program and licence to another party if you notify DRI of name and address of the other party and the other party agrees to a) accept the terms and conditions of this Agreement, b) sign and forward to DRI a copy of the registration card and c) pay the then current transfer fee. If you transfer the program, you must at the same time either transfer all copies, including the original, whether in printed or machine readable form to the same party or destroy any copies not transferred; this includes all modifications and portions of the program contained or merged into other programs.

You must reproduce and include the copyright notice on any copy, modification or portion merged into another program.

EACH DISKETTE IS SERIALISED, AND YOU MAY NOT USE, COPY, MODIFY, TRANSFER, OR OTHERWISE MAKE AVAILABLE TO ANY THIRD PARTY, THE PROGRAM, OR ANY COPY, MODIFICATION OR MERGED PORTION, IN WHOLE OR IN PART, EXCEPT AS EXPRESSLY PROVIDED FOR IN THIS LICENCE AGREEMENT.

IF YOU TRANSFER POSSESSION OF ANY COPY, MODIFICATION OR MERGED PORTION OF THE PROGRAM TO ANOTHER PARTY, YOUR LICENCE IS AUTOMATICALLY TERMINATED.

3. TERM

The licence is effective until terminated. You may terminate it at any other time by destroying the program together with all copies, modifications and merged portions in any form. It will also terminate upon conditions set forth elsewhere in this Agreement or if you fail to comply with any term or condition of this Agreement. You agree upon such termination to destroy the program together with all copies, modifications and merged portions in any form.

4. LIMITED WARRANTY

THE PROGRAM IS PROVIDED "AS IS". NEITHER DRI NOR AMSTRAD MAKE ANY WARRANTY OF ANY KIND, EITHER EXPRESSED OR IMPLIED, INCLUDING, BUT NOT LIMITED TO THE IMPLIED WARRANTIES OF MERCHANTABILITY AND FITNESS FOR A PARTICULAR PURPOSE. THE ENTIRE RISK AS TO THE QUALITY AND PERFORMANCE OF THE PROGRAM IS WITH YOU. SHOULD THE PROGRAM PROVE DEFECTIVE, YOU (AND DRI OR AMSTRAD) ASSUME THE ENTIRE COST OF ALL NECESSARY SERVICING, REPAIR OR CORRECTION.

Neither DRI nor AMSTRAD warrant that the functions contained in the program will meet your requirements or that the operation of the program will be uninterrupted or error free.

However, AMSTRAD warrants the diskette on which the program is furnished, to be free from defects in materials and workmanship under normal use for a period of ninety (90) days from the date of delivery to you as evidenced by a copy of your receipt.

5. LIMITATIONS OF REMEDIES

AMSTRAD's entire liability and your exclusive remedy shall be the replacement of any diskette not meeting this "Limited Warranty" and which is returned to AMSOFT with a copy of your receipt.

IN NO EVENT SHALL DRI OR AMSTRAD BE LIABLE FOR ANY DAMAGES, INCLUDING ANY LOST PROFITS, LOST SAVINGS, OR OTHER SPECIAL INDIRECT OR CONSEQUENTIAL DAMAGES, EVEN IF DRI OR AMSTRAD HAS BEEN ADVISED OF THE POSSIBILITY OF SUCH DAMAGES, OR FOR ANY CLAIM BY ANY OTHER PARTY.

6. REGISTRATION CARD

DRI may from time to time update its programs. Updates will be provided to you only if a properly signed registration card is on file at DRI's main office or an authorised registration card recipient. DRI is not obligated to make any program updates, or to supply any such updates to you.

7. GENERAL

You may not sublicense, assign or transfer the licence or the program except as expressly provided in this Agreement. Any attempt otherwise to sublicense, assign or transfer any of the rights, duties or obligations hereunder is void.

This agreement shall be governed by and construed in accordance with the laws of England.

Should you have any Questions concerning this Agreement. you may contact DRI by writing to Digital Research Inc., P.O. Box 579, Pacific Grove, California 93950.

THIS AGREEMENT CANNOT AND SHALL NOT BE MODIFIED BY PURCHASE ORDERS, ADVERTISING OR OTHER REPRESENTATIONS BY ANYONE, AND MAY ONLY BE MODIFIED BY A WRITTEN AMENDMENT EXECUTED BY YOU AND AN AUTHORISED OFFICER OF DRI AND AMSTRAD.

YOU ACKNOWLEDGE THAT YOU HAVE READ THIS AGREEMENT, UNDERSTAND IT AND AGREE TO BE BOUND BY ITS TERMS AND CONDITIONS. YOU FURTHER AGREE THAT IT IS THE COMPLETE AND EXCLUSIVE STATEMENT OF THE AGREEMENT BETWEEN YOU AND DRI AND AMSTRAD WHICH SUPERSEDES ANY PROPOSAL OR PRIOR AGREEMENT, ORAL OR WRITTEN, AND ANY COMMUNICATIONS BETWEEN YOU AND DRI OR AMSTRAD RELATING TO THE SUBJECT MATTER OF THIS AGREEMENT.

THIS AGREEMENT DOES NOT AFFECT YOUR STATUTORY RIGHTS.

APPENDIX 3

INDEX

A	F4.1 Ch2.7	Copying files	F4.7 Ch2.10 Ch3.5
Aborting CP/M functions	F4.1.10	COS	Ch4.8
AMSDOS	F4.1 Ch2.1	COUNT	Ch4.6
AMSDOS command summary	Ch2.6	CP/M	Ch3.1
AMSDOS error messages	Ch2.13 Ch5.3	CPM	F4.3 Ch2.8
AMSDOS filenames	Ch2.2	CP/M filenames	Ch3.3
AMSDOS headers	Ch2.3 Ch5.1	CP/M System Tracks	Ch3.1
AMSDOS wildcards	Ch2.4	CS	Ch4.13
AND	Ch4.9	CSAVE	Ch3.6
.APV	Ch4.24	CT	Ch4.12
Arithmetic operations	Ch4.8	Data only format	Ch5.5
Arithmetic operators (+ - * /)	Ch4.9	DDT	Ch3.9
ASCII	Ch2.10 Ch4.6	.DEF	Ch4.24
ASM	Ch3.9	.DEPOSIT	Ch4.23
B	F4.1 Ch2.7	DIR (CP/M)	Ch3.3
BASIC disc	Ch1.2	DIR (LOGO)	Ch4.19
BF	Ch4.6 1	DIR	Ch2.8
BIOS messages	Ch5.3	Direct console commands	Ch3.3
BK	Ch4.15	Dises	F2.1 Ch5.2
BL	Ch4.6	DISC	F4.1 Ch2.8
BOOTGEN	Ch3.9	DISCCHK	F4.10
BUTTONP	Ch4.19	DISCCOPY	F4.8 Ch3.5
BYE	Ch4.21	Disc directory	Ch2.2
CAT	F4.6	Disc file commands (LOGO)	Ch4.19
CATCH	Ch4.23	DISC.IN	F4.2 Ch2.8
Changing discs	Ch5.2	Disc organisation	Ch5.5
CHAR	Ch4.6	DISC.OUT	F4.2 Ch2.8
CLEAN	Ch4.13	DOT	Ch4.13
CLOAD	Ch3.6	DRIVE	Ch2.8
CO	Ch4.21	DUMP	Ch3.9
Configuration sector	Ch3.2	ED	Ch3.9
Configuring a CP/M program	Ch1.4	Editing	Ch4.4 Ch4.12
Connections	F1.2	Eject button	F2.4
.CONTENTS	Ch4.23	EMPTYP	Ch4.7
Control codes	Ch3.2	END	Ch4.11
COPYDISC	F4.9 Ch1.2	ENV	Ch4.21
Copying discs	Ch3.5	ENT	Ch4.21

ER	Ch4.17	Logical operations	Ch4.9
ERA	Ch3.3	Logical operators (= > <)	Ch4.10
ERA	Ch2.9	LOGO	Ch4.1
ERN	Ch4.17	LT	Ch4.15
ERRACT	Ch4.23	MAKE	Ch4.11
ERROR	Ch4.23	MOVCPM	Ch3.9
Error messages (AMSDOS)	Ch2.13 Ch5.3	NODES	Ch4.17
Error messages (CP/M BIOS)	Ch5.3	NOT	Ch4.10
.EXAMINE	Ch4.23	OP	Ch4.22
Exception handling	Ch4.23	OR	Ch4.10
FALSE	Ch4.23	PADDLE	Ch4.20
FD	Ch4.15	PAL	Ch4.14
FENCE	Ch4.13	PAUSE	Ch4.23
FILECOPY	Ch1.2 Ch3.5	PD	Ch4.15
Filenames	Ch2.2 Ch2.3	PE	Ch4.16
Filetypes	Ch2.2	Peripheral management	Ch3.4
Flow of control	Ch4.21	PIP	Ch3.4
Firmware	Ch5.1	PLIST	Ch4.18
FIRST	Ch4.7	PO	Ch4.11
FORMAT	F4.4 Ch3.8	POTS	Ch4.11
FPUT	Ch4.7	PPROP	Ch4.18
FS	Ch4.14	PR	Ch4.12
Games	F3.1	Primitives	Ch4.5 Ch4.23
GLIST	Ch4.10	.PRM	Ch4.24
Glossary of terms	App1.1	Procedures	Ch4.3 Ch4.11
GO	Ch4.22	Property list commands	Ch4.18
Graphic screen commands	Ch4.13	PU	Ch4.16
GPROP	Ch4.10	PX	Ch4.16
Headers	Ch2.3 Ch5.1	RANDOM	Ch4.8
HT	Ch4.15	RC	Ch4.20
IBM format	Ch5.5	Read Only Files	Ch2.10
IF	Ch4.22	RECYCLE	Ch4.18
Indicator Lamp	F2.4	REDEFP	Ch4.23
INT	Ch4.8	RELEASE	Ch4.21
Intercepted firmware calls	Ch5.7	REMPROP	Ch4.18
ITEM	Ch4.7	REN	Ch3.4
Joystick commands (LOGO)	Ch4.19	REN	Ch 2.9
Jumpblock		REPEAT	Ch4.22
interception and re-interception	Ch5.6	RL	Ch4.20
Keyboard commands (LOGO)	Ch4.19	RO	Ch4.20
KEYP	Ch4.19	RT	Ch4.16
LABEL	Ch4.22	RUN (AMSDOS)	F4.6
Licence Agreement	App2.1	RUN (LOGO)	Ch4.22
LIST	Ch4.7	SAVE (AMSDOS)	. F4.5
List processing commands	Ch4.6	SAVE (LOGO)	Ch4.19
LOAD (AMSDOS)	F4.6	Screen Dump	Ch2.4
LOAD (LOGO)	Ch4.19	SE	Ch4.8
Loading software	F3.1	SETH	Ch4.16
LOCAL	Ch4.11	SETPAL	Ch4.14
Logging in a disc	Ch3.2	SETPC	Ch4.16

SETPOS	Ch4.17	Workspace management commands	Ch4.17
SETSPLIT	Ch4.12	WRAP	Ch4.15
Setting Up	171.1	Write protection	F2.1
SETUP	Ch3.7	XSUB	Ch3.9
SF	Ch4.14		
SHOW	Ch4.12		
SIN	Ch4.8		
Software F3.1			
SOUND	Ch4.21		
Sound commands (LOGO)	Ch4.21		
SS	Ch4.14		
ST	Ch4.17		
STAT	Ch3.6		
STOP	Ch4.22		
Store requirements	Ch5.2		
SYSGEN	Ch3.9		
SUBMIT	Ch3.9		
System disc	Ch1.2		
System format	Ch5.5		
System management	Ch3.6		
System primitives (LOGO)	Ch4.23		
System properties (LOGO)	Ch4.24		
System variables (LOGO)	Ch4.23		
TAPE	F4.1 Ch2.9		
TAPE.IN	F4.2 Ch2.9		
TAPE.OUT	F4.2 Ch2.9		
Text screen commands	Ch4.12		
TF	Ch4.17		
THROW	Ch4.23		
TO	Ch4.12		
TOPLEVEL	Ch4.24		
Transient commands	Ch3.4		
TRUE	Ch4.24		
TS	Ch4.13		
Turnkey BASIC disc	Ch1.2		
Turnkey CP/M disc	Ch1.3		
Turtle graphic commands	Ch4.15		
TYPE (CP/M)	Ch3.4		
TYPE (LOGO)	Ch4.13 I		
USER	Ch2.9		
Utility disc	Ch1.2		
Variables	Ch4.4 Ch4.11		
	Ch4.23		
Variables (saving)	Ch2.4		
WAIT	Ch4.22		
Wildcards	Ch2.4		
WINDOW	Ch4.14		
WORD	Ch4.8		
WORDP	Ch4.8		





AMSTRAD

NEW DRIVE BELT
FITTED
16/7/17

SERIAL NO.

AMSTRAD

MODEL DDI-1
DISCONNECT FROM MAINS
SUPPLY WHEN NOT IN USE.
MAINS SUPPLY : 220-240V~
50HZ.
THIS UNIT COMPLIES WITH
EEC DIRECTIVE 82/499/EEC
ON RFI.
WARNING LIVE PARTS INSIDE.
DO NOT REMOVE ANY SCREWS.
AMSTRAD CONSUMER
ELECTRONICS plc
Made in Korea

B

AMSTRAD
DDI-1

AMSTRAD

DDI-1

DISKETTENLAUFWERK
MIT SCHNITTSTELLE FÜR
AMSTRAD CPC464 COMPUTER

made in korea

AMSTRAD
DDI-1

DISKETTENLAUFWERK
MIT SCHNITTSTELLE FÜR
AMSTRAD CPC464 COMPUTER

DISKETTENLAUFWERK
MIT SCHNITTSTELLE FÜR
AMSTRAD CPC464 COMPUTER
made in korea

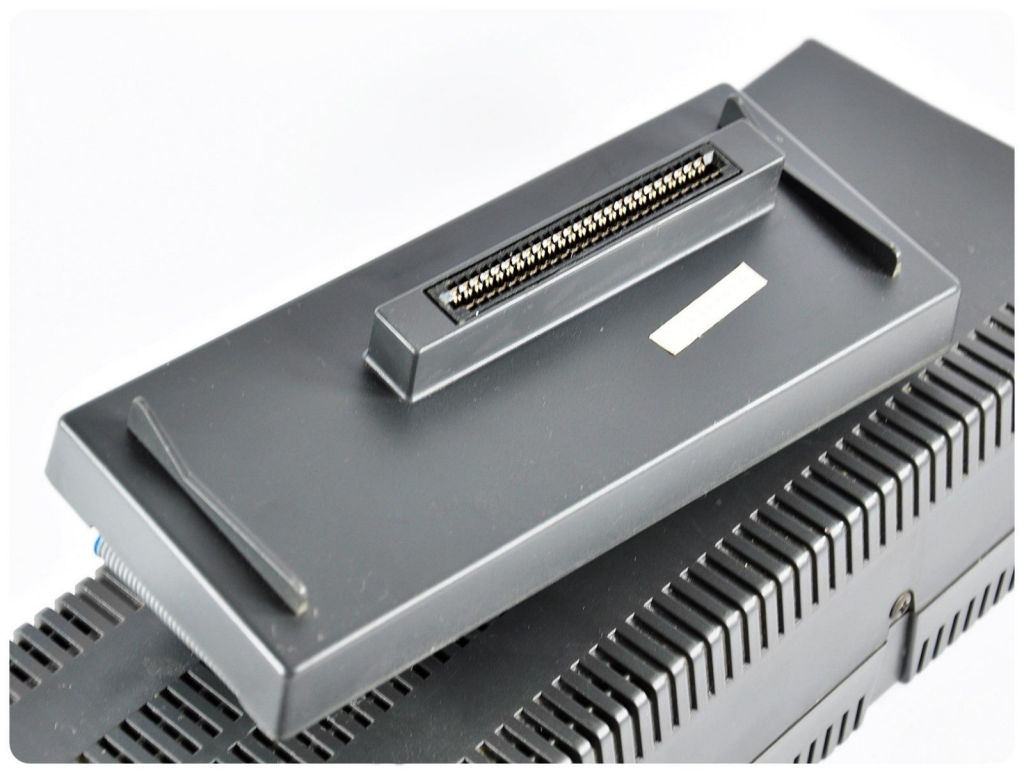
AMSTRAD

Disketten-Laufwerk
und Interface
DDI-1

Benutzerhandbuch

AMSTRAD
DDI-1

DISKETTENLAUFWERK
ANSTELLE FÜR
IBM PC
16 BIT COMPUTER
made in Korea





AMSTRAD PLC

SYSTEM/DIENSTPROGRAMM-DISKETTE
CP/M 2.2 SERIAL NO. 1002-1232

Für die Anwendung dieser
des Lizenzabkommens
Anhang B



SERIAL NO.
543-8415319

SERIAL NO.
543-84153









AMSTRAD
Typ: FLOPPY DISC DRIVE DD1-1
BETRIEBSSPANNUNG: 220-240V~50Hz
LEISTUNGS-AUFNAHME: 15W
VOR FEUCHTIGKEIT UND HITZE
SCHÜTZEN!
VOR GERÄTEÖFFNEN
ZIEHEN!
MADE IN KOREA

SERIEN NR. 543-8415319

VERSION
A



WARNING: USE ONLY WITH 8011
ULTRASONIC CLEANING FOR WITZ
FOR ULTRASONIC CLEANING FOR WITZ
FOR ULTRASONIC CLEANING FOR WITZ
MADE IN CHINA
5443-841 53119









AMSTRAD
MODEL DDI-1 FROM MAINS
DISCONNECT FROM MAINS
WHEN NOT IN USE
SUPPLY 220-240V -
50/60Hz
UNIT COMPLIES WITH
EMC DIRECTIVE 82/499/EEC
WARNING: LIVE PARTS INSIDE
DO NOT REMOVE ANY SCREWS
MADE IN KOREA
SERIAL NO 5438323276



AMSTRAD

MODEL DDI-1 FROM MAINS
DO NOT CONNECT WHEN NOT IN USE.
DISCONNECT FROM MAINS SUPPLY: 220-240V ~
50/60 HZ. UNIT COMPLIES WITH
COMMERCIAL UNIT DIRECTIVE 82/499/EEC
WARNING-LIVE PARTS INSIDE.
DO NOT REMOVE ANY SCREWS.
AMSTRAD PLC.

MADE IN KOREA

SERIAL NO. 543-8323276

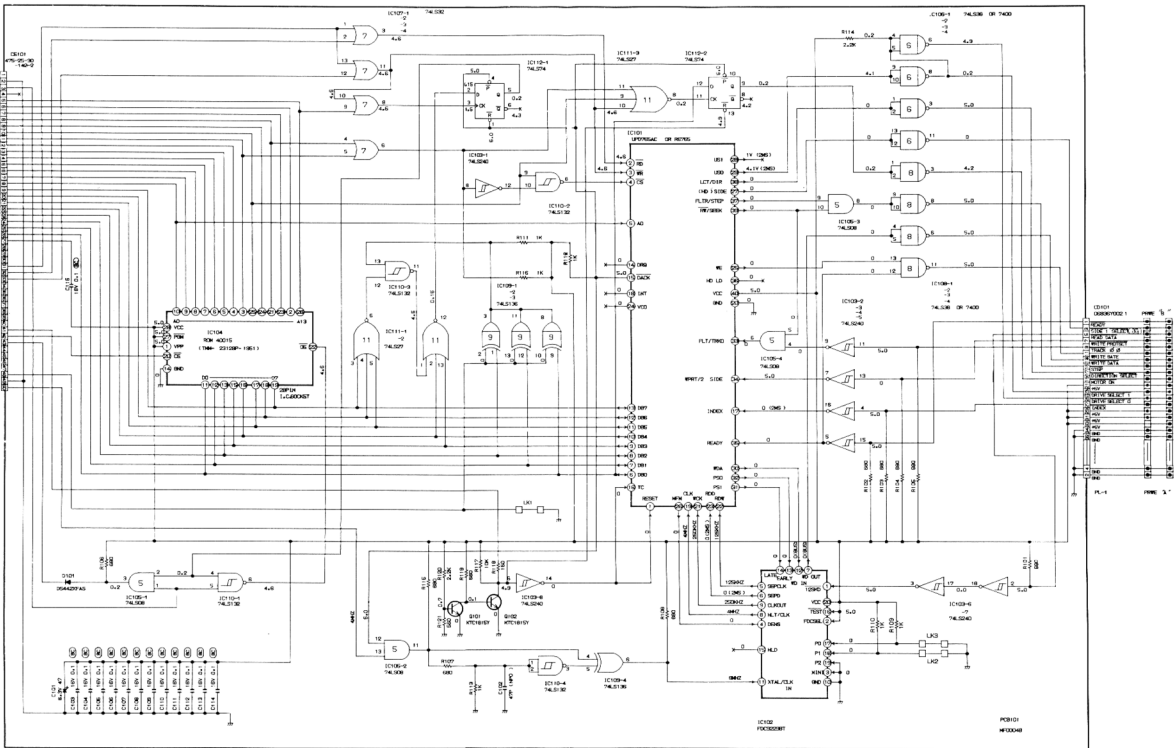
REF'S VERSION
A







INTERFACE CIRCUIT DIAGRAM



CONDITION: HOLD SWITCH OF FLIPPY DISK IS BRUNCHED ON.
 NO READY TO WORK.
 AND THE DISKROT IS NOT IN DRIVE.

NOTE: THIS SCHEMATIC DIAGRAM IS THE LATEST AT THE TIME
 OF PRINTING AND SUBJECT TO CHANGE WITHOUT NOTICE.

SIDE 2 ISS 3
ME00048

PL1

C108

C112

IC108

A74LS38
JAPAN 6'9 5

G110

A74LS38
JAPAN 6'9 5

IC109

FLOPPY DISC INTERFACE PLN No 70160

Zilog

Z0765A08PSC

FDC

8709

TC74HC240P
JAPAN 8707H
IC103

R102 R104 R105C
C109

A74LS32
JAPAN 6'3 1N
IC107

A74LS132
JAPAN 65.6N
IC110

A74LS74A
JAPAN 7'2 0N
IC112

R112 R113 R114 R115

LK1

Q101 SK1 R116 R103 C111

Q102 R118 C115

AMSTRAD

M2

AMSTRAD
40015
129-0560 7C4 51
IC104

A74LS136
JAPAN 55.7
IC111

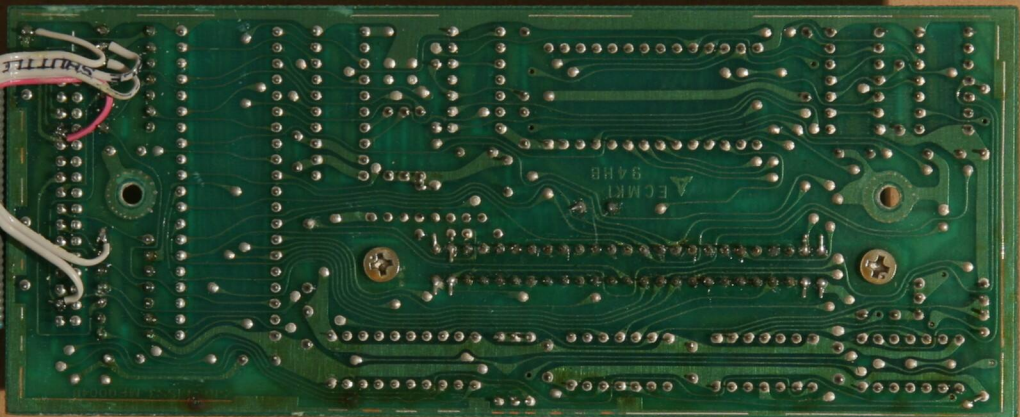
A74LS27
JAPAN 6'7 4N
IC110

A74LS08
JAPAN 6'1 7N
IC105

F0C9229BT
SHC 8437A
LK3 LK2

1011

© AMSTRAD 1984



33-29
Power line 5V

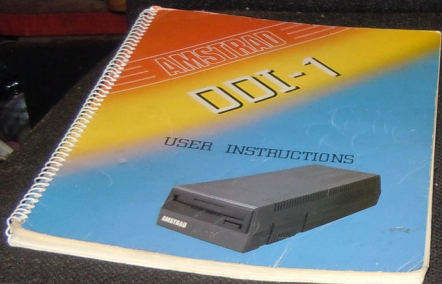
25 DS0

21 Power line 5V

33-29
No Power Line

23 DS1

21 No Power line



18.10.2014 16:12

